



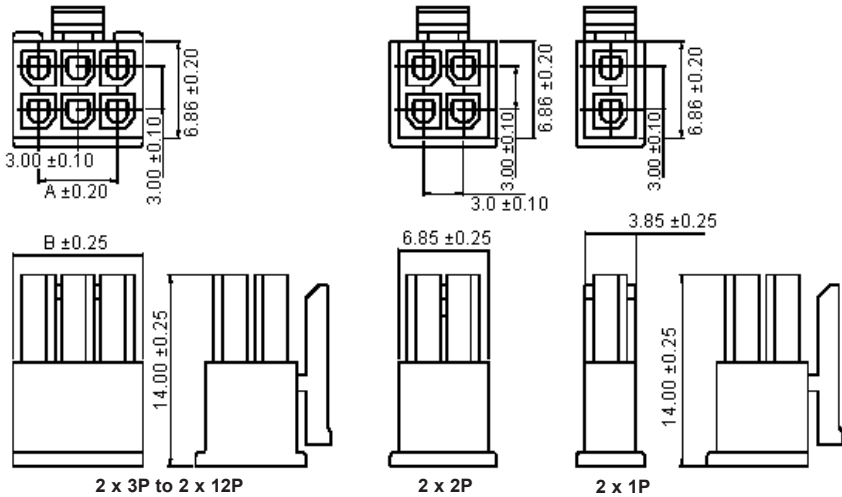
PART NO.

2260(5560) - Series

REVISIONS

ECN #	REV	DESCRIPTION	DRAWN	DATE	CHECKD	DATE	APPRVD	DATE
-	A	RELEASED	Veena	09/9/08	Suresh	09/9/08	Farnell	23/9/08

Receptacle Housing



Dimensions : Millimetres

Specifications:

- Current rating : 5.0A ac/dc.
  - Voltage rating : 250V ac/dc.
  - Maximum contact resistance : 10mΩ.
  - Minimum insulation resistance : 1000MΩ.
  - Withstanding voltage : 1500V ac/minute.
  - Operating temperature range : -25°C to +105°C.
- Material and Finish:**
- Insulator : High temperature plastic (nylon 66).
  - Contact : Phosphor bronze.
  - Plating : Tin plated.
  - Mating with : 5560T terminal.

This data sheet and its contents (the "Information") belong to the Premier Farnell Group (the "Group") or are licensed to it. No licence is granted for the use of it other than for information purposes in connection with the products to which it relates. No licence of any intellectual property rights is granted. The Information is subject to change without notice and replaces all data sheets previously supplied. The Information supplied is believed to be accurate but the Group assumes no responsibility for its accuracy or completeness, any error in or omission from it or for any use made of it. Users of this data sheet should check for themselves the Information and the suitability of the products for their purpose and not make any assumptions based on information included or omitted. Liability for loss or damage resulting from any reliance on the Information or use of it (including liability resulting from negligence or where the Group was aware of the possibility of such loss or damage arising) is excluded. This will not operate to limit or restrict the Group's liability for death or personal injury resulting from its negligence. SPC MULTICOMP is the registered trademark of the Group. © Premier Farnell plc 2008.

TOLERANCES:  
UNLESS OTHERWISE SPECIFIED, DIMENSIONS ARE FOR REFERENCE PURPOSES ONLY.

DRAWN BY:	DATE:
Veena	09/09/08
CHECKED BY:	DATE:
Suresh	09/09/08
APPROVED BY:	DATE:
Farnell	23/09/08

DRAWING TITLE:			
Receptacle Housing - Free			
SIZE	DWG NO.	ELECTRONIC FILE	REV
A	M10001662	1578562-1578582_DWG	A
SCALE: NTS	U.O.M.: mm	SHEET: 1 OF 5	



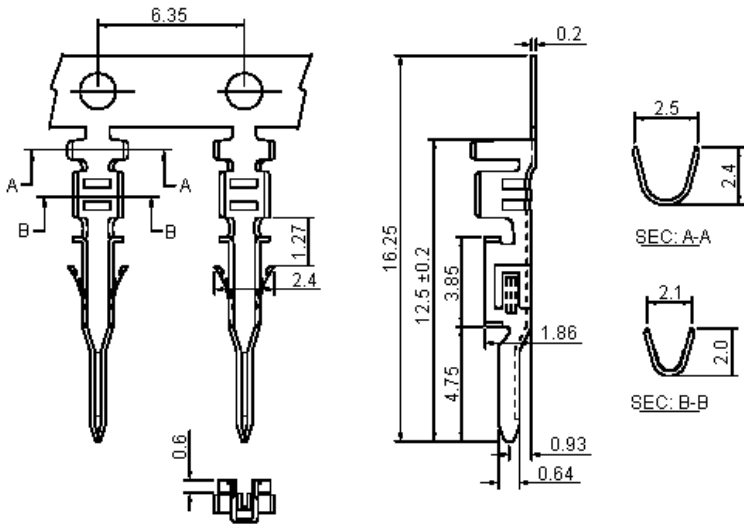
PART NO.

2260(5560) - Series

REVISIONS

ECN #	REV	DESCRIPTION	DRAWN	DATE	CHECKD	DATE	APPRVD	DATE
-	A	RELEASED	Veena	09/9/08	Suresh	09/9/08	Farnell	23/9/08

Accessories - Crimp Pin



Specifications:

Material : Phosphor bronze.  
 Thickness : 0.2mm.  
 Applicable wire : 20 to 24AWG.  
 Plating : Tin plated.

Dimensions : Millimetres

This data sheet and its contents (the "Information") belong to the Premier Farnell Group (the "Group") or are licensed to it. No licence is granted for the use of it other than for information purposes in connection with the products to which it relates. No licence of any intellectual property rights is granted. The Information is subject to change without notice and replaces all data sheets previously supplied. The Information supplied is believed to be accurate but the Group assumes no responsibility for its accuracy or completeness, any error in or omission from it or for any use made of it. Users of this data sheet should check for themselves the Information and the suitability of the products for their purpose and not make any assumptions based on information included or omitted. Liability for loss or damage resulting from any reliance on the Information or use of it (including liability resulting from negligence or where the Group was aware of the possibility of such loss or damage arising) is excluded. This will not operate to limit or restrict the Group's liability for death or personal injury resulting from its negligence. SPC MULTICOMP is the registered trademark of the Group. © Premier Farnell plc 2008.

**TOLERANCES:**  
 UNLESS OTHERWISE SPECIFIED, DIMENSIONS ARE FOR REFERENCE PURPOSES ONLY.

<b>DRAWN BY:</b>	<b>DATE:</b>
Veena	09/09/08
<b>CHECKED BY:</b>	<b>DATE:</b>
Suresh	09/09/08
<b>APPROVED BY:</b>	<b>DATE:</b>
Farnell	23/09/08

<b>DRAWING TITLE:</b>			
Receptacle Housing - Free			
<b>SIZE</b>	<b>DWG NO.</b>	<b>ELECTRONIC FILE</b>	<b>REV</b>
A	M10001662	1578562-1578582_DWG	A
<b>SCALE: NTS</b>		<b>U.O.M.: mm</b>	<b>SHEET: 2 OF 5</b>



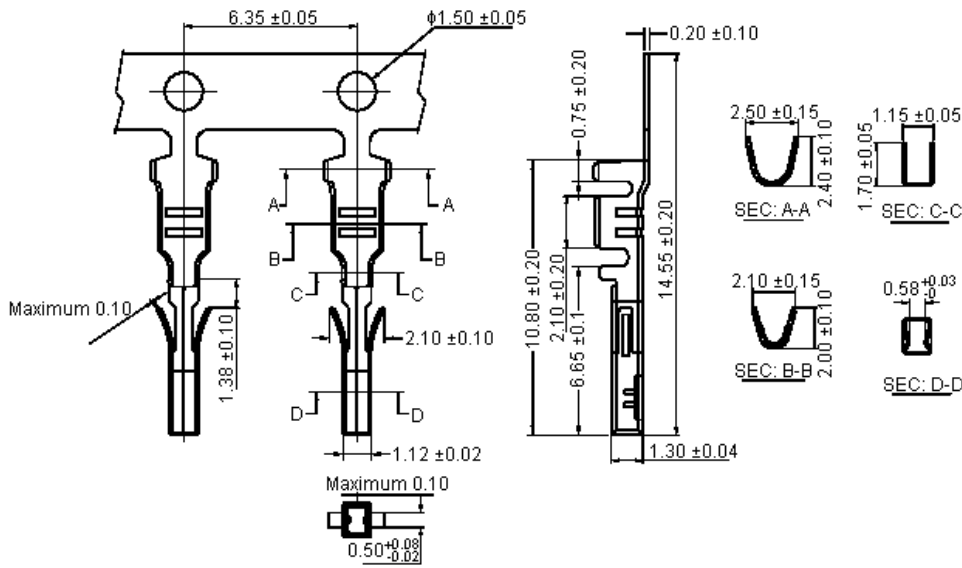
PART NO.

2260(5560) - Series

REVISIONS

ECN #	REV	DESCRIPTION	DRAWN	DATE	CHECKD	DATE	APPRVD	DATE
-	A	RELEASED	Veena	09/9/08	Suresh	09/9/08	Farnell	23/9/08

Accessories - Crimp Socket



Specifications:

Current rating : 5.0A ac/dc.  
 Voltage rating : 250V ac/dc.  
 Maximum contact resistance : 10mΩ.  
 Wire range : 20 to 24AWG.  
 Maximum insulation O.D : 1.85mm.

Material and Finish:

Contact : Phosphor bronze.  
 Plating : Tin plated.

Dimensions : Millimetres

This data sheet and its contents (the "Information") belong to the Premier Farnell Group (the "Group") or are licensed to it. No licence is granted for the use of it other than for information purposes in connection with the products to which it relates. No licence of any intellectual property rights is granted. The Information is subject to change without notice and replaces all data sheets previously supplied. The Information supplied is believed to be accurate but the Group assumes no responsibility for its accuracy or completeness, any error in or omission from it or for any use made of it. Users of this data sheet should check for themselves the Information and the suitability of the products for their purpose and not make any assumptions based on information included or omitted. Liability for loss or damage resulting from any reliance on the Information or use of it (including liability resulting from negligence or where the Group was aware of the possibility of such loss or damage arising) is excluded. This will not operate to limit or restrict the Group's liability for death or personal injury resulting from its negligence. SPC MULTICOMP is the registered trademark of the Group. © Premier Farnell plc 2008.

**TOLERANCES:**  
 UNLESS OTHERWISE SPECIFIED, DIMENSIONS ARE FOR REFERENCE PURPOSES ONLY.

<b>DRAWN BY:</b>	<b>DATE:</b>
Veena	09/09/08
<b>CHECKED BY:</b>	<b>DATE:</b>
Suresh	09/09/08
<b>APPROVED BY:</b>	<b>DATE:</b>
Farnell	23/09/08

DRAWING TITLE:

Receptacle Housing - Free

<b>SIZE</b>	<b>DWG NO.</b>	<b>ELECTRONIC FILE</b>	<b>REV</b>
A	M10001662	1578562-1578582_DWG	A
<b>SCALE:</b> NTS	<b>U.O.M.:</b> mm	<b>SHEET:</b> 3 OF 5	



PART NO.

2260(5560) - Series

REVISIONS

ECN #	REV	DESCRIPTION	DRAWN	DATE	CHECKD	DATE	APPRVD	DATE
-	A	RELEASED	Veena	09/9/08	Suresh	09/9/08	Farnell	23/9/08

Specification Table

Type	Number of Position	A	B	Part Number
Receptacle Housing	2	-	3.85	2260(5560)-02
	4	3.00	6.85	2260(5560)-04
	6	6.00	9.85	2260(5560)-06
	8	9.00	12.85	2260(5560)-08
	10	12.00	15.85	2260(5560)-10
	12	15.00	18.85	2260(5560)-12
	14	18.00	21.85	2260(5560)-14
	16	21.00	24.85	2260(5560)-16
	18	24.00	27.85	2260(5560)-18
	20	27.00	30.85	2260(5560)-20
Crimp Pin	-	-	-	2261(5561)T
Crimp Socket	-	-	-	2260(5560)T

Dimensions : Millimetres

This data sheet and its contents (the "Information") belong to the Premier Farnell Group (the "Group") or are licensed to it. No licence is granted for the use of it other than for information purposes in connection with the products to which it relates. No licence of any intellectual property rights is granted. The Information is subject to change without notice and replaces all data sheets previously supplied. The Information supplied is believed to be accurate but the Group assumes no responsibility for its accuracy or completeness, any error in or omission from it or for any use made of it. Users of this data sheet should check for themselves the Information and the suitability of the products for their purpose and not make any assumptions based on information included or omitted. Liability for loss or damage resulting from any reliance on the Information or use of it (including liability resulting from negligence or where the Group was aware of the possibility of such loss or damage arising) is excluded. This will not operate to limit or restrict the Group's liability for death or personal injury resulting from its negligence. SPC MULTICOMP is the registered trademark of the Group. © Premier Farnell plc 2008.

**TOLERANCES:**  
**UNLESS OTHERWISE SPECIFIED, DIMENSIONS ARE FOR REFERENCE PURPOSES ONLY.**

<b>DRAWN BY:</b>	<b>DATE:</b>
Veena	09/09/08
<b>CHECKED BY:</b>	<b>DATE:</b>
Suresh	09/09/08
<b>APPROVED BY:</b>	<b>DATE:</b>
Farnell	23/09/08

<b>DRAWING TITLE:</b>			
Receptacle Housing - Free			
<b>SIZE</b>	<b>DWG NO.</b>	<b>ELECTRONIC FILE</b>	<b>REV</b>
A	M10001662	1578562-1578582_DWG	A
<b>SCALE: NTS</b>		<b>U.O.M.: mm</b>	<b>SHEET: 4 OF 5</b>



PART NO.

2260(5560) - Series

REVISIONS

ECN #	REV	DESCRIPTION	DRAWN	DATE	CHECKD	DATE	APPRVD	DATE
-	A	RELEASED	Veena	09/9/08	Suresh	09/9/08	Farnell	23/9/08

Part Number Explanation:

Receptacle Housing

2260(5560) - 02

Number of Positions

Number of Positions : 02 = 2, 04 = 4, 06 = 6, 08 = 8, 10, 12, 14, 16, 18 and 20 Positions.

Accessories - Crimp Socket

2260(5560) T

Terminal

<http://www.farnell.com>  
<http://www.newark.com>  
<http://www.cpc.co.uk>

This data sheet and its contents (the "Information") belong to the Premier Farnell Group (the "Group") or are licensed to it. No licence is granted for the use of it other than for information purposes in connection with the products to which it relates. No licence of any intellectual property rights is granted. The Information is subject to change without notice and replaces all data sheets previously supplied. The Information supplied is believed to be accurate but the Group assumes no responsibility for its accuracy or completeness, any error in or omission from it or for any use made of it. Users of this data sheet should check for themselves the Information and the suitability of the products for their purpose and not make any assumptions based on information included or omitted. Liability for loss or damage resulting from any reliance on the Information or use of it (including liability resulting from negligence or where the Group was aware of the possibility of such loss or damage arising) is excluded. This will not operate to limit or restrict the Group's liability for death or personal injury resulting from its negligence. SPC MULTICOMP is the registered trademark of the Group. © Premier Farnell plc 2008.

**TOLERANCES:  
UNLESS OTHERWISE  
SPECIFIED,  
DIMENSIONS ARE  
FOR REFERENCE  
PURPOSES ONLY.**

<b>DRAWN BY:</b>	<b>DATE:</b>
Veena	09/09/08
<b>CHECKED BY:</b>	<b>DATE:</b>
Suresh	09/09/08
<b>APPROVED BY:</b>	<b>DATE:</b>
Farnell	23/09/08

<b>DRAWING TITLE:</b>			
Receptacle Housing - Free			
<b>SIZE</b>	<b>DWG NO.</b>	<b>ELECTRONIC FILE</b>	<b>REV</b>
A	M10001662	1578562-1578582_DWG	A
<b>SCALE: NTS</b>		<b>U.O.M.: mm</b>	<b>SHEET: 5 OF 5</b>