

**Glenair Connector
Designator H**
**MIL-DTL-38999
Series III & IV,
EN3645**

M85049/39 S 11 W

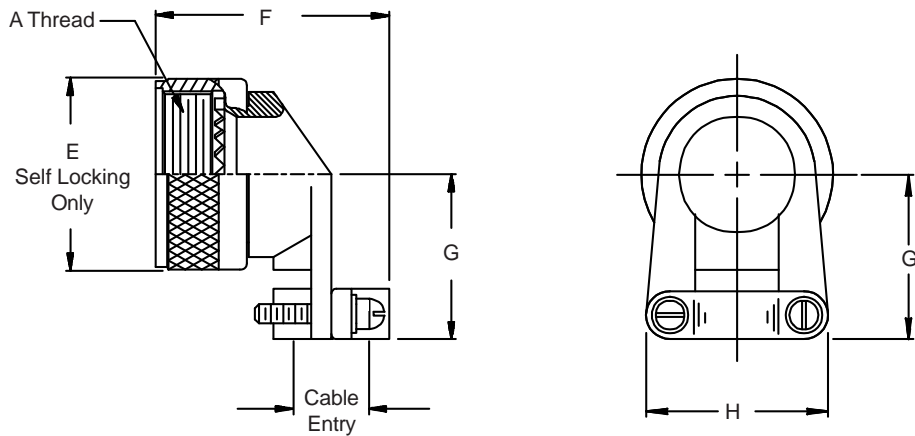
Basic Part No. ————

S = Self-Locking ————
Use Dash for Non-Self-Locking

Shell Size ————

Material and Finish Designator

A = Aluminum, Black Anodize
N = Aluminum, Electroless Nickel
S = 300 Series Steel, Passivated
W = Aluminum, 1,000 Hour Cadmium
Olive Drab Over Electroless Nickel


TABLE I

Shell Size	Shell Size Ref.	A Thread Class 2B	E Dia Max Self-Locking Only	F Max	G Max	H Max	Cable Entry	
							Min	Max
9	A	M12 X 1 - 6H	.858 (21.8)	1.20 (30.5)	1.00 (25.4)	.85 (21.6)	.098 (2.5)	.234 (5.9)
11	B	M15 X 1 - 6H	.984 (25.0)	1.20 (30.5)	1.10 (27.9)	.90 (22.9)	.153 (3.9)	.234 (5.9)
13	C	M18 X 1 - 6H	1.157 (29.4)	1.40 (35.6)	1.10 (27.9)	1.10 (27.9)	.190 (4.8)	.328 (8.3)
15	D	M22 X 1 - 6H	1.279 (32.5)	1.45 (36.8)	1.25 (31.8)	1.15 (29.2)	.260 (6.6)	.457 (11.6)
17	E	M25 X 1 - 6H	1.406 (35.7)	1.60 (40.6)	1.30 (33.0)	1.30 (33.0)	.283 (7.2)	.614 (15.6)
19	F	M28 X 1 - 6H	1.516 (38.5)	1.70 (43.2)	1.35 (34.3)	1.50 (38.1)	.325 (8.3)	.634 (16.1)
21	G	M31 X 1 - 6H	1.642 (41.7)	1.85 (47.0)	1.60 (40.6)	1.60 (40.6)	.343 (8.7)	.698 (17.7)
23	H	M34 X 1 - 6H	1.768 (44.9)	1.95 (49.5)	1.75 (44.5)	1.70 (43.2)	.381 (9.7)	.823 (20.9)
25	J	M37 X 1 - 6H	1.889 (48.0)	2.10 (53.3)	1.85 (47.0)	1.80 (45.7)	.418 (10.6)	.853 (21.7)

1. For complete dimensions see applicable Military Specification.
2. Metric dimensions (mm) are indicated in parentheses.
3. Cable Entry is defined as the accommodation entry for the wire bundle or cable.
Dimensions are not intended for inspection criteria.