

Alle Rechte vorbehalten/ All rights reserved

5

4

3

2

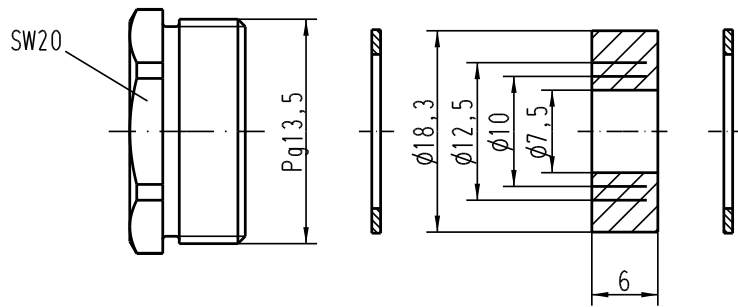
1

D



C

B

A



Kabel- ϕ /cable- ϕ : min.6,5; max.13,5

| | | | | | | | | |
|---|----------|------|--------------------------------|---------|------|---|---|--|
|  All Dimensions in mm Original Size DIN A 4 | | | Techn. Character. | | | Nicht tolerierte Masse/ free size tolerances | | |
| | | | | Dat. | Name | Massestab/Scale 2:1 | Verschraubung Metall/ cable sealing metal für Standard-Gehäuse; Pg13,5 / for standard housings; Pg13,5 | |
| | | | Detail. | 7.12.98 | Kö | | | |
| | | | Insp. | | SDT. | | | |
| | | | Stand. | | | | | |
| 410862 | 23.11.04 | Loe. | HARTING Electric GmbH & Co. KG | | |  | TB 09 00 000 5014 | |
| 24863 | | | D-32339 Espelkamp | | | | | |
| Mod. | Dat. | Name | | | | | Sub. TB 09 00 000 501. v. 1.2.93 | |
| | | | | | | | Blatt/ page | |