

4

3

2

1

THIS DRAWING IS UNPUBLISHED. RELEASED FOR PUBLICATION (C) COPYRIGHT 2001 BY TICO ELECTRONICS CORPORATION. ALL RIGHTS RESERVED.

REV. NO.	DATE	BY	CHKD.	DESCRIPTION
1	17 MAR 06	RF	GT	RE-ACTIVATED PARTS

NOTES	MATERIAL	DESCRIPTION	SUPERSEDED BY P/N	TE AMP P/N	
SEE SHEET 5	MATERIAL: GLASSFIBER FILLED THERMOPLASTIC UL 94-VI COLOUR: BLACK	PANEL MOUNT RECEPTACLE ASS'Y FOR SOCKET CONTACT	0-182920-1	7-1437723-6	
-		-	-	7-1437723-4	
-		-	-	0-182641-1	4-1437723-0
-		-	-	0-211769-1	3-1437723-8
-		-	-	0-182921-1	0-1437723-9
-		-	-	0-182918-1	7-1437723-2
-		-	-	0-183075-1	7-1437723-0
-		-	-	0-183040-1	3-1437723-6
-		-	-	0-211767-1	0-1437820-7
-		-	-	0-182917-1	0-1437723-7
SEE SHEET 4	MATERIAL: GLASSFIBER FILLED THERMOPLASTIC UL 94-VI COLOUR: BLACK	PANEL MOUNT RECEPTACLE ASS'Y FOR PIN CONTACT	0-206306-2	6-1437723-0	
-		-	-	6-1437723-8	
-		-	-	0-206043-3	3-1437723-4
-		-	-	0-211769-3	3-1437723-3
-		-	-	0-183083-1	0-1437723-6
-		-	-	0-206151-2	0-1437820-5
SEE SHEET 4		-	-	0-206838-2	6-1437723-7
SEE SHEET 4		-	-	-	3-1437723-2
-		-	-	-	3-1437723-1
-		-	-	0-182919-1	0-1437723-5
SEE RELEVANT DRAWINGS	MATERIAL: GLASSFIBER FILLED THERMOPLASTIC UL 94-VI COLOUR: BLACK	RECEPTACLE ASS'Y FOR SOCKET CONTACT	0-183046-1	6-1437718-0	
SEE RELEVANT DRAWINGS		-	-	0-183047-1	6-1437718-0
-		-	-	0-182926-1	6-1437723-1
SEE SHEET 3		-	-	-	5-1437723-9
-		-	-	0-182649-1	2-1437723-5
-		-	-	0-211768-1	2-1437723-3
-		-	-	0-182651-1	0-1437723-1
-		-	-	0-182923-1	6-1437723-5
-		-	-	0-183073-1	6-1437723-3
-		-	-	0-183039-1	2-1437723-9
SEE RELEVANT DRAWINGS	SEE RELEVANT DRAWINGS	KEYING PLUG	0-211766-1	2-1437723-7	
-		-	-	0-182647-1	0-1437723-3
-		-	-	0-054012-1	9-1437723-2
-		-	-	0-054011-1	4-1437723-3
-		-	-	0-054010-1	0-1437820-8
-		-	-	0-081665-5	1-1437727-5
-		-	-	0-081665-2	7-1437726-0
-		-	-	0-081665-3	2-1437726-9
-		-	-	0-206403-3	8-1437723-5
-		-	-	0-206403-2	5-1437723-2
SEE RELEVANT DRAWINGS	SEE RELEVANT DRAWINGS	RECEPTACLE ASS'Y FOR PIN CONTACT	0-206403-1	1-1437723-7	
-		-	-	0-208680-1	9-1437723-6
-		-	-	0-208652-1	9-1437723-1
-		-	-	0-208800-1	1-1437723-2
-		-	-	-	9-1437723-7
SEE SHEET 2		-	-	0-183041-1	9-1437723-8
-		-	-	0-183042-1	1-1437723-1
-		-	-	-	8-1437723-2
-		-	-	-	7-1437723-9
-		-	-	-	4-1437723-7
SEE SHEET 2	MATERIAL: GLASSFIBER FILLED THERMOPLASTIC UL 94-VI COLOUR: BLACK	PLUG ASS'Y FOR SOCKET CONTACT	-	4-1437723-4	
-		-	-	-	1-1437723-4
-		-	-	0-182930-1	8-1437723-6
-		-	-	0-182652-1	8-1437723-8
-		-	-	0-182661-1	5-1437723-6
-		-	-	0-182655-1	5-1437723-3
-		-	-	0-182928-1	2-1437723-0
-		-	-	0-182658-1	1-1437723-8
-		-	-	-	1-1437723-4
-		-	-	-	1-1437723-4
SEE RELEVANT DRAWINGS	SEE RELEVANT DRAWINGS	PLUG ASS'Y FOR PIN CONTACT	0-182930-1	8-1437723-6	
-		-	-	0-182652-1	8-1437723-8
-		-	-	0-182661-1	5-1437723-6
-		-	-	0-182655-1	5-1437723-3
-		-	-	0-182928-1	2-1437723-0
-		-	-	0-182658-1	1-1437723-8
-		-	-	-	1-1437723-4
-		-	-	-	1-1437723-4
-		-	-	0-182930-1	8-1437723-6
-		-	-	0-182652-1	8-1437723-8
SEE RELEVANT DRAWINGS	SEE RELEVANT DRAWINGS	PLUG ASS'Y FOR SOCKET CONTACT	0-182661-1	5-1437723-6	
-		-	-	0-182655-1	5-1437723-3
-		-	-	0-182928-1	2-1437723-0
-		-	-	0-182658-1	1-1437723-8
-		-	-	-	1-1437723-4
-		-	-	-	1-1437723-4
-		-	-	0-182930-1	8-1437723-6
-		-	-	0-182652-1	8-1437723-8
-		-	-	0-182661-1	5-1437723-6
-		-	-	0-182655-1	5-1437723-3
SEE RELEVANT DRAWINGS	SEE RELEVANT DRAWINGS	PLUG ASS'Y FOR SOCKET CONTACT	0-182928-1	2-1437723-0	
-		-	-	0-182658-1	1-1437723-8
-		-	-	-	1-1437723-4
-		-	-	-	1-1437723-4
-		-	-	0-182930-1	8-1437723-6
-		-	-	0-182652-1	8-1437723-8
-		-	-	0-182661-1	5-1437723-6
-		-	-	0-182655-1	5-1437723-3
-		-	-	0-182928-1	2-1437723-0
-		-	-	0-182658-1	1-1437723-8
SEE RELEVANT DRAWINGS	SEE RELEVANT DRAWINGS	PLUG ASS'Y FOR SOCKET CONTACT	0-182930-1	8-1437723-6	
-		-	-	0-182652-1	8-1437723-8
-		-	-	0-182661-1	5-1437723-6
-		-	-	0-182655-1	5-1437723-3
-		-	-	0-182928-1	2-1437723-0
-		-	-	0-182658-1	1-1437723-8
-		-	-	-	1-1437723-4
-		-	-	-	1-1437723-4
-		-	-	0-182930-1	8-1437723-6
-		-	-	0-182652-1	8-1437723-8
SEE RELEVANT DRAWINGS	SEE RELEVANT DRAWINGS	PLUG ASS'Y FOR SOCKET CONTACT	0-182661-1	5-1437723-6	
-		-	-	0-182655-1	5-1437723-3
-		-	-	0-182928-1	2-1437723-0
-		-	-	0-182658-1	1-1437723-8
-		-	-	-	1-1437723-4
-		-	-	-	1-1437723-4
-		-	-	0-182930-1	8-1437723-6
-		-	-	0-182652-1	8-1437723-8
-		-	-	0-182661-1	5-1437723-6
-		-	-	0-182655-1	5-1437723-3
SEE RELEVANT DRAWINGS	SEE RELEVANT DRAWINGS	PLUG ASS'Y FOR SOCKET CONTACT	0-182928-1	2-1437723-0	
-		-	-	0-182658-1	1-1437723-8
-		-	-	-	1-1437723-4
-		-	-	-	1-1437723-4
-		-	-	0-182930-1	8-1437723-6
-		-	-	0-182652-1	8-1437723-8
-		-	-	0-182661-1	5-1437723-6
-		-	-	0-182655-1	5-1437723-3
-		-	-	0-182928-1	2-1437723-0
-		-	-	0-182658-1	1-1437723-8
SEE RELEVANT DRAWINGS	SEE RELEVANT DRAWINGS	PLUG ASS'Y FOR SOCKET CONTACT	0-182930-1	8-1437723-6	
-		-	-	0-182652-1	8-1437723-8
-		-	-	0-182661-1	5-1437723-6
-		-	-	0-182655-1	5-1437723-3
-		-	-	0-182928-1	2-1437723-0
-		-	-	0-182658-1	1-1437723-8
-		-	-	-	1-1437723-4
-		-	-	-	1-1437723-4
-		-	-	0-182930-1	8-1437723-6
-		-	-	0-182652-1	8-1437723-8
SEE RELEVANT DRAWINGS	SEE RELEVANT DRAWINGS	PLUG ASS'Y FOR SOCKET CONTACT	0-182661-1	5-1437723-6	
-		-	-	0-182655-1	5-1437723-3
-		-	-	0-182928-1	2-1437723-0
-		-	-	0-182658-1	1-1437723-8
-		-	-	-	1-1437723-4
-		-	-	-	1-1437723-4
-		-	-	0-182930-1	8-1437723-6
-		-	-	0-182652-1	8-1437723-8
-		-	-	0-182661-1	5-1437723-6
-		-	-	0-182655-1	5-1437723-3
SEE RELEVANT DRAWINGS	SEE RELEVANT DRAWINGS	PLUG ASS'Y FOR SOCKET CONTACT	0-182928-1	2-1437723-0	
-		-	-	0-182658-1	1-1437723-8
-		-	-	-	1-1437723-4
-		-	-	-	1-1437723-4
-		-	-	0-182930-1	8-1437723-6
-		-	-	0-182652-1	8-1437723-8
-		-	-	0-182661-1	5-1437723-6
-		-	-	0-182655-1	5-1437723-3
-		-	-	0-182928-1	2-1437723-0
-		-	-	0-182658-1	1-1437723-8
SEE RELEVANT DRAWINGS	SEE RELEVANT DRAWINGS	PLUG ASS'Y FOR SOCKET CONTACT	0-182930-1	8-1437723-6	
-		-	-	0-182652-1	8-1437723-8
-		-	-	0-182661-1	5-1437723-6
-		-	-	0-182655-1	5-1437723-3
-		-	-	0-182928-1	2-1437723-0
-		-	-	0-182658-1	1-1437723-8
-		-	-	-	1-1437723-4
-		-	-	-	1-1437723-4
-		-	-	0-182930-1	8-1437723-6
-		-	-	0-182652-1	8-1437723-8
SEE RELEVANT DRAWINGS	SEE RELEVANT DRAWINGS	PLUG ASS'Y FOR SOCKET CONTACT	0-182661-1	5-1437723-6	
-		-	-	0-182655-1	5-1437723-3
-		-	-	0-182928-1	2-1437723-0
-		-	-	0-182658-1	1-1437723-8
-		-	-	-	1-1437723-4
-		-	-	-	1-1437723-4
-		-	-	0-182930-1	8-1437723-6
-		-	-	0-182652-1	8-1437723-8
-		-	-	0-182661-1	5-1437723-6
-		-	-	0-182655-1	5-1437723-3
SEE RELEVANT DRAWINGS	SEE RELEVANT DRAWINGS	PLUG ASS'Y FOR SOCKET CONTACT	0-182928-1	2-1437723-0	
-		-	-	0-182658-1	1-1437723-8
-		-	-	-	1-1437723-4
-		-	-	-	1-1437723-4
-		-	-	0-182930-1	8-1437723-6
-		-	-	0-182652-1	8-1437723-8
-		-	-	0-182661-1	5-1437723-6
-		-	-	0-182655-1	5-1437723-3
-		-	-	0-182928-1	2-1437723-0
-		-	-	0-182658-1	1-1437723-8
SEE RELEVANT DRAWINGS	SEE RELEVANT DRAWINGS	PLUG ASS'Y FOR SOCKET CONTACT	0-182930-1	8-1437723-6	
-		-	-	0-182652-1	8-1437723-8
-		-	-	0-182661-1	5-1437723-6
-		-	-	0-182655-1	5-1437723-3
-		-	-	0-182928-1	2-1437723-0
-		-	-	0-182658-1	1-1437723-8
-		-	-	-	1-1437723-4
-		-	-	-	1-1437723-4
-		-	-	0-182930-1	8-1437723-6
-		-	-	0-182652-1	8-1437723-8
SEE RELEVANT DRAWINGS	SEE RELEVANT DRAWINGS	PLUG ASS'Y FOR SOCKET CONTACT	0-182661-1	5-1437723-6	
-		-	-	0-182655-1	5-1437723-3
-		-	-	0-182928-1	2-1437723-0
-		-	-	0-182658-1	1-1437723-8
-		-	-	-	1-1437723-4
-		-	-	-	1-1437723-4
-		-	-	0-182930-1	8-1437723-6
-		-	-	0-182652-1	8-1437723-8
-		-	-	0-182661-1	5-1437723-6
-		-	-	0-182655-1	5-1437723-3
SEE RELEVANT DRAWINGS	SEE RELEVANT DRAWINGS	PLUG ASS'Y FOR SOCKET CONTACT	0-182928-1	2-1437723-0	
-		-	-	0-182658-1	1-1437723-8
-					

4

3

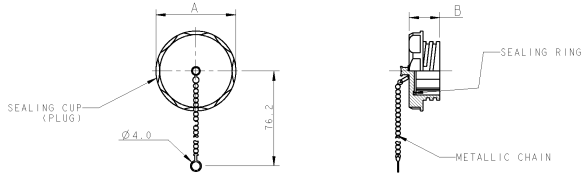
2

1

THIS DRAWING IS UNPUBLISHED. RELEASED FOR PUBLICATION 2001  
 (C) COPYRIGHT 2001 BY TICO ELECTRONICS CORPORATION. ALL RIGHTS RESERVED.

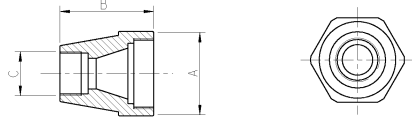
LOC	DATE	REVISIONS	DATE	BY	APP'D
1	-	TR LTR	-	-	-
-	-	SEE SHEET 1	-	-	-

SEALING CAP, PLUG



-	-	17.3	44.2	23	SEALING CAP, PLUG	9-1437723-7	A
---	---	------	------	----	-------------------	-------------	---

BACKSHELL WITH PG THREAD



-	PG21	43.0	40.0	23	BACKSHELL WITH PG THREAD	8-1437723-2	A
-	PG16	43.0	40.0		BACKSHELL WITH PG THREAD	7-1437723-9	A
-	PG13.5	43.0	30.0	17	BACKSHELL WITH PG THREAD	4-1437723-7	A
-	PG11	43.0	30.0		BACKSHELL WITH PG THREAD	4-1437723-4	A
-	PG9	43.0	21.5	11	BACKSHELL WITH PG THREAD	1-1437723-4	A

CABLE Ø RANGE	C	B	A	SIZE	DESCRIPTION	TE AMP P/N	REV
<small>TOP DIMENSIONS CONTROLLED BY TICO ELECTRONICS CORPORATION. TOLERANCES UNLESS OTHERWISE SPECIFIED ARE FOR THE FOLLOWING:</small>							
DIMENSIONS:		TOLERANCES UNLESS OTHERWISE SPECIFIED:		OWN: FABRIS 21SEP2001		AMP 114110 S.p.A. C.so F.lli Enri, 15 COLLENO (TO)	
mm		mm		TARIARI		TICO Electronics	
		0 PLC ±0.3 1 PLC ±0.3 2 PLC ±0.3 3 PLC ±0.3 4 PLC ±0.3 ANGLES ±0.1°		PRODUCT SPEC - APPLICATION SPEC - WEIGHT - FINISH -		SIZE CASE CODE DRAWING NO A2100779 C=1437723	
CUSTOMER DRAWING						RESTRICTED TO	
						SCALE - SHEET 2 OF 5 REV C1	

AMP 1471-0 REV 01040200

4

3

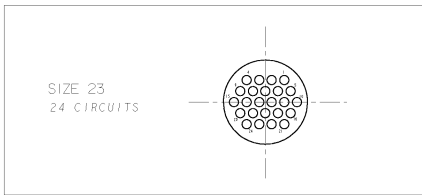
2

1

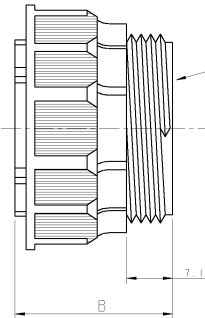
THIS DRAWING IS UNPUBLISHED. RELEASED FOR PUBLICATION 2001  
 (C) COPYRIGHT 2001 BY TICO ELECTRONICS CORPORATION. ALL RIGHTS RESERVED.

LOC	DIST	REV	DESCRIPTION	DATE	BY	APPD
1	-	1	SEE SHEET 1	-	-	-

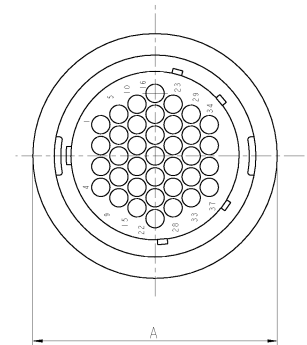
CIRCUIT LAYOUT (View from "X")



"X" →



TYPICAL CAVITY SUITABLE FOR  
 TE TYPE 1111 CONTACTS  
 (ALTERNATIVE TO "T93" CONTACTS)



0-183047-1	3.6	34.0	44.5	24	23	PLUG ASS'Y FOR PIN CONTACT	5-1437723-9	A
KEYING PLUG (FOR REF. ONLY)	Ø MAX ALLOWABLE WIRE INS.	B	A	No. OF CIRCUITS	SIZE	DESCRIPTION	TE AMP P/N	REV
DIMENSIONS: mm		TOLERANCES UNLESS OTHERWISE SPECIFIED:		DRAWN BY: FABRIS CHKD BY: TABIARI APPD BY: -		DATE: 2/SEP/2001  AMP 14410 S.p.A. C.so F.lli Enri, 15 COLLENO (TO)		
 Ø		 L		 Ø		PRODUCT SPEC: - APPLICATION SPEC: - WEIGHT: - MATERIAL: - FINISH: -		
-		-		-		SIZE: A2 CASE CODE: 100779 DRAWING NO: C=1437723 RESTRICTED TO: - CUSTOMER DRAWING SCALE: - SHEET 3 OF 5 REV C		

AMP 1471-9 REV 2004000



4

3

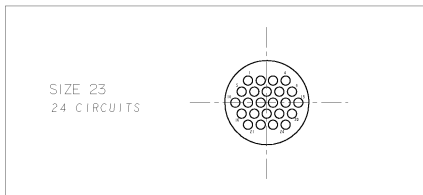
2

1

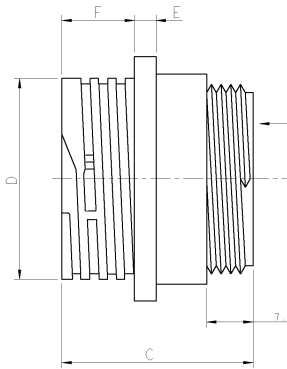
THIS DRAWING IS UNPUBLISHED. RELEASED FOR PUBLICATION 2001  
 (C) COPYRIGHT 2001 BY TICO ELECTRONICS CORPORATION. ALL RIGHTS RESERVED.

LOC	DIST	REV	DESCRIPTION	DATE	BY	APP'D
1	-	1	SEE SHEET 1	-	-	-

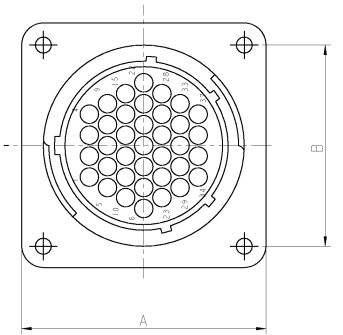
CIRCUIT LAYOUT (View from "X")



"X"



TYPICAL CAVITY SUITABLE FOR  
 TE TYPE 1111 CONTACTS  
 (ALTERNATIVE TO "T93" CONTACTS)



0-183046-1	3.6	13.5	4.1	36.3	26.9	36.6	44.5	38.6	24	23	PANEL MOUNT RECEPTACLE ASS'Y FOR SOCKET CONTACT	7-1437723-4	A
KEYING PLUG (FOR REF. ONLY)	Ø MAX ALLOWABLE WIRE INS.	F	E	D	C	B	A	PANEL CUT OUT Ø	No. OF CIRCUITS	SIZE	DESCRIPTION	TE AMP P/N	REV
<small>TOP DIMENSIONS ARE CONTROLLED BY THE DRAWING AND BOTTOM DIMENSIONS ARE CONTROLLED BY THE CONTACTS FOR THE CONTACTS.</small>											<small>OWN: FABRIS 21SEP2001</small> <small>APP'D: TABIARI</small> <small>DATE: 21SEP2001</small> <small>TYPE: -</small> <small>PRODUCT SPEC: -</small> <small>APPLICATION SPEC: -</small> <small>WEIGHT: -</small> <small>CUSTOMER DRAWING</small>	<small>AMP 114110 S.p.A.</small> <small>C. via F.lli Crispi, 15 COLLENO (TO)</small> <small>tyco Electronics</small> <small>CIRCULAR PLASTIC CONNECTOR T10 SERIES PANEL MOUNT RECEPTACLE ASS'Y</small> <small>SIZE: A2 CASE CODE: C=1437723 DRAWING NO: 1437723</small> <small>RESTRICTED TO: -</small>	
<small>DIMENSIONS: mm</small> <small>PLC: ±0.3</small> <small>PLC: ±0.1</small> <small>PLC: ±0.1</small> <small>PLC: ±0.1</small> <small>ANGLES: ±0.1</small> <small>FINISH: -</small>											<small>SCALE: -</small> <small>SHEET 5 OF 5</small> <small>REV: C</small>		