



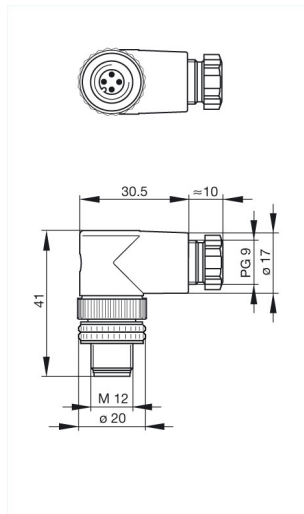
ELWIST 4012 PG9

Industrial Connectors: Circular Connectors E-series M12/FIXCON: with screw locking: Angled cable plug, self-assembled

Product description

Description	Angled cable plug, unassembled, strain relief by means of clamping cage
Type	ELWIST 4012 PG9
Order No.	933 166-100
Type of contact	male
Number of contacts	4
Cable gland	PG 9
Conductor size	max. 0.75 mm ²
Standard	IEC 61076-2-101 (Ed. 1)/ IEC 60947-5-2
Housing Color	black

Drawing



Technical data

Pin dimensions	1 mm
Rated voltage	250 V AC/DC
Rated current	4 A
Type of termination	screw
Suitable cables	diameter 6 mm to 8 mm

Material

Contact material	Cu Zn
Contact surface material	Sn
Contact bearer material	PA
Housing material	PA
Coupling nut material	Zn Al/Ni
O-Ring	NBR

Environmental conditions

Protection class (IEC 60529)	IP 67
Pollution severity	3

Temperature range -25 °C to +90 °C

Inflammability class

Housing 94 V-2

Contact bearer 94 V-2

Approvals

UL UL pending

Packaging unit

Packaging unit 100 pieces