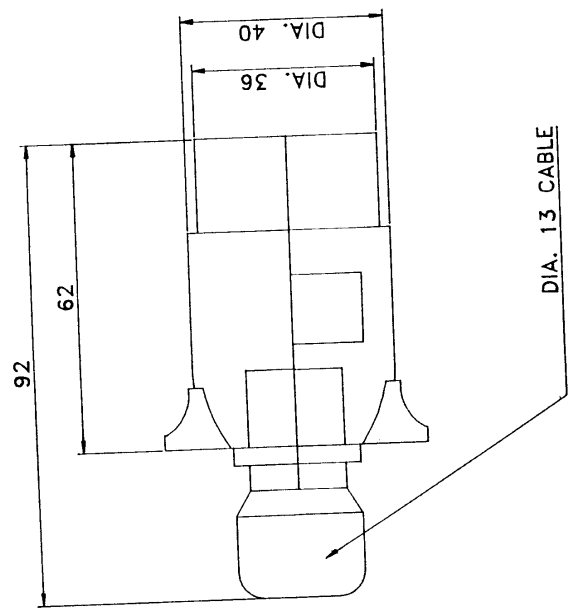
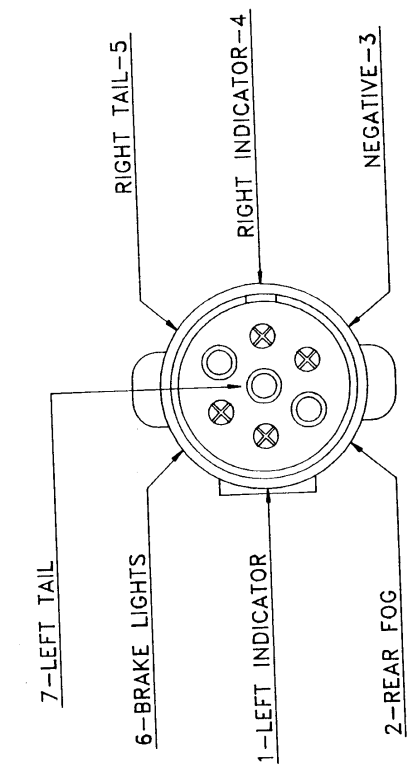
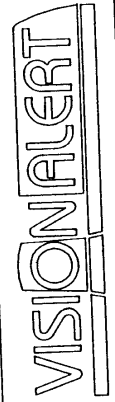


892-312

MOD No. M1201	STATUS PRODUCTION RELEASE A	ISS A	DATE 20-03-97
MATERIAL PLASTIC		FINISH SPECIFICATION	
TOOL No.			
3rd ANGLE PROJECTION DIMENSIONS IN MILLIMETRES DO NOT SCALE			
DRAWN R L WELDON		DATE 14-03-97	
CHECKED		TITLE 7 PIN PLUG-12N (BLACK)	
PART No. 100.127		SCALE 1:1	



COMPLIES WITH DIN 72577 and ISO 1724



© VISION ALERT AUTOMOTIVE LIMITED
 Osbaldwick Ind. Est. Outgoing Lane Osbaldwick York, YO1 3UX North Yorks.
 Telephone : +44(0)1904 415000 Fax : +44(0)1904 430059