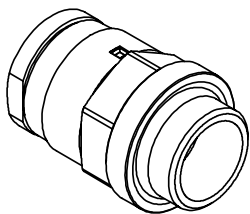
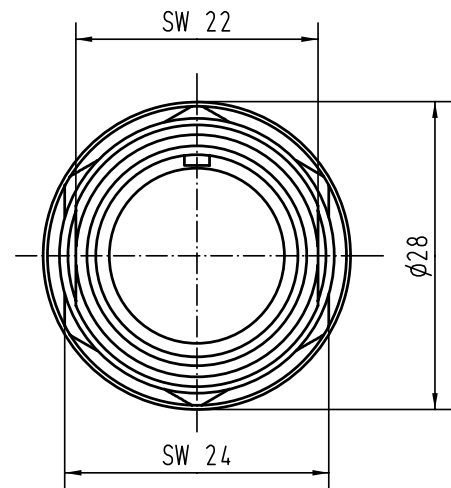
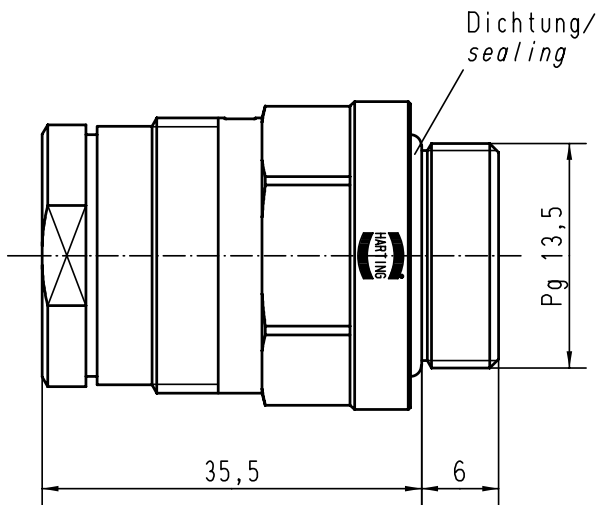



Alle Rechte vorbehalten / All rights reserved



| | | | | | | | | |
|---|----------|------|-------------------|----------|--------|---|--|--|
|  All Dimensions in mm Original Size DIN A 4 | | | Techn. Character. | | | Nicht tolerierte Masse / free size tolerances | | |
| | | | | Dat. | Name | Maßstab / Scale | R 15-eg-AI Einschraubgehäuse/ <i> housings screw mounting</i> | |
| | | | Detail. | 23.02.93 | PENNER | | | |
| | | | Insp. | | HERB | | | |
| | | | Stand. | | | 2:1 | TB 09 15 000 0121 Sub. TB 09 15 000 0121 v. 27.03.92 | |
| 25592 | 22.03.99 | PL | HARTING KGaA | | | | | |
| Mod. | Dat. | Name | D-32339 ESPELKAMP | | | | | |