



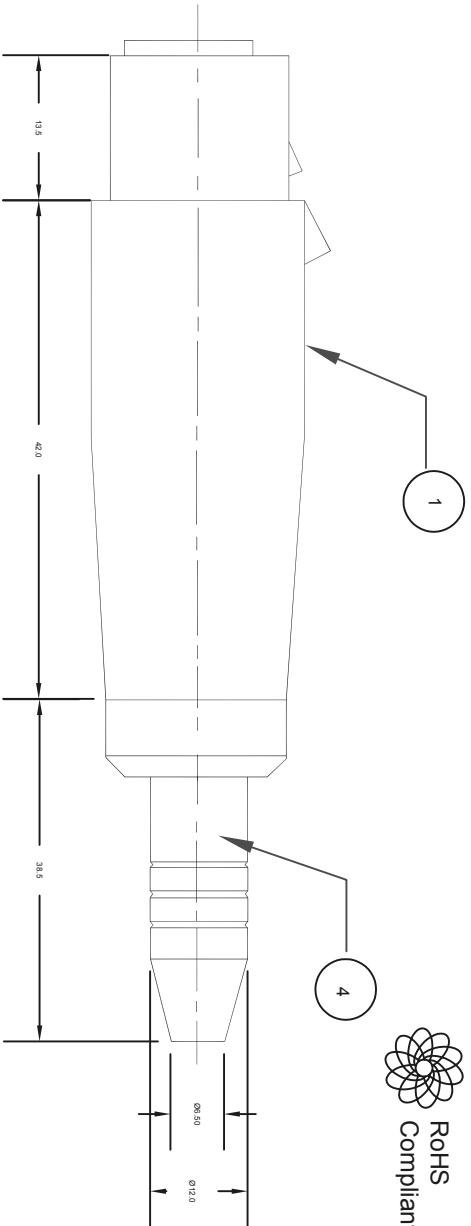
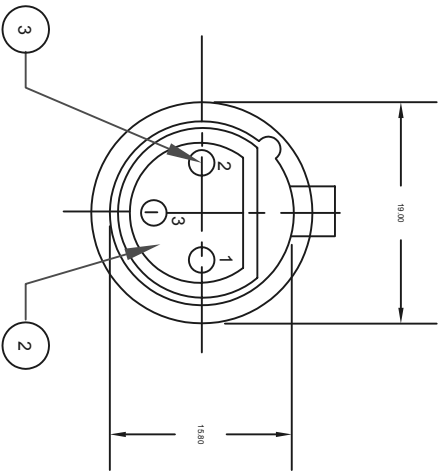
SPC
TECHNOLOGY

ALL RIGHTS RESERVED. NO PORTION OF THIS PUBLICATION, WHETHER IN WHOLE OR IN PART CAN BE REPRODUCED WITHOUT THE EXPRESS WRITTEN CONSENT OF SPC TECHNOLOGY.
SPC-F005.DWG

REVISIONS

DCP #	REV	DESCRIPTION	DRAWN	DATE	CHECKD	DATE	APPRVD	DATE
			VEE	18-08-10	JAG	21-08-10	XXX	01-09-10

DOC. NO. SPC-F005 * Effective: 7/8/02 * DCP No: 1398



Wiring Schematic

- Socket 1 -- Ground
- Socket 2 -- Tip
- Socket 3 -- Ring

Item	Part	Material	Finish
1	Housing	Zinc Die Cast	Nickel
2	Insert Insulator	PP0-1, UL94V-0	Gray
3	Socket	Phosphor Bronze	Silver
4	Phone Jack	Brass	Nickel

Part Number Table

Description	Part Number
3 Pin Male XLR to 1/4 Inches Stereo Jack	SPC21455

Electrical:

Contact Rating: 15A at 125VAC
 Contact Resistance: 30 milliohms maximum
 Insulation Resistance: 500 megohms minimum at 500VDC
 Dielectric Strength: 500VAC
 Capacitance: 4pF maximum

Mechanical:

Insertion Force: 1.0 to 8.0kg
 Withdrawal Force: 1.0 to 8.0kg

Environmental:

Operating Temperature : -55° C to 70° C

TOLERANCES:

UNLESS OTHERWISE SPECIFIED, DIMENSIONS ARE FOR REFERENCE PURPOSES ONLY.

DRAWN BY:

VEE

DATE:

18-08-10

DRAWING TITLE:

3 Pin Male XLR to 1/4 Inches Stereo Jack

CHECKED BY:

JAG

DATE:

21-08-10

APPROVED BY:

XXX

DATE:

01-09-10

SCALE:

NTS

U.O.M.: INCHES [mm]

SHEET:

1 OF 1

DRAWING TITLE:

3 Pin Male XLR to 1/4 Inches Stereo Jack

CHECKED BY:

JAG

DATE:

21-08-10

APPROVED BY:

XXX

DATE:

01-09-10

SCALE:

NTS

U.O.M.: INCHES [mm]

SHEET:

1 OF 1

DISCLAIMER:
 ALL STATEMENTS AND TECHNICAL INFORMATION CONTAINED HEREIN ARE BASED UPON INFORMATION AND/OR TESTS WE BELIEVE TO BE ACCURATE AND RELIABLE. SINCE CONDITIONS OF USE ARE BEYOND OUR CONTROL, THE USER SHALL DETERMINE THE SUITABILITY OF THE PRODUCT FOR THE INTENDED USE AND ASSUME ALL RISK AND LIABILITY WHATSOEVER IN CONNECTION THEREWITH.

DATE:

01-09-10

SCALE:

NTS

U.O.M.: INCHES [mm]

SHEET:

1 OF 1

DATE:

01-09-10

SCALE:

NTS

U.O.M.: INCHES [mm]

SHEET:

1 OF 1

DATE:

01-09-10

SCALE:

NTS

U.O.M.: INCHES [mm]

SHEET:

1 OF 1

DATE:

01-09-10

SCALE:

NTS

U.O.M.: INCHES [mm]

SHEET:

1 OF 1

DATE:

01-09-10

SCALE:

NTS

U.O.M.: INCHES [mm]

SHEET:

1 OF 1

DATE:

01-09-10

SCALE:

NTS

U.O.M.: INCHES [mm]

SHEET:

1 OF 1

DATE:

01-09-10

SCALE:

NTS

U.O.M.: INCHES [mm]

SHEET:

1 OF 1

DATE:

01-09-10

SCALE:

NTS

U.O.M.: INCHES [mm]

SHEET:

1 OF 1

DATE:

01-09-10

SCALE:

NTS

U.O.M.: INCHES [mm]

SHEET:

1 OF 1

DATE:

01-09-10

SCALE:

NTS

U.O.M.: INCHES [mm]

SHEET:

1 OF 1

DATE:

01-09-10

SCALE:

NTS

U.O.M.: INCHES [mm]

SHEET:

1 OF 1

DATE:

01-09-10

SCALE:

NTS

U.O.M.: INCHES [mm]

SHEET:

1 OF 1

DATE:

01-09-10

SCALE:

NTS

U.O.M.: INCHES [mm]

SHEET:

1 OF 1

DATE:

01-09-10

SCALE:

NTS

U.O.M.: INCHES [mm]

SHEET:

1 OF 1

DATE:

01-09-10

SCALE:

NTS

U.O.M.: INCHES [mm]

SHEET:

1 OF 1

DATE:

01-09-10

SCALE:

NTS

U.O.M.: INCHES [mm]

SHEET:

1 OF 1

DATE:

01-09-10

SCALE:

NTS

U.O.M.: INCHES [mm]

SHEET:

1 OF 1

DATE:

01-09-10

SCALE:

NTS

U.O.M.: INCHES [mm]

SHEET:

1 OF 1

DATE:

01-09-10

SCALE:

NTS

U.O.M.: INCHES [mm]

SHEET:

1 OF 1

DATE:

01-09-10

SCALE:

NTS

U.O.M.: INCHES [mm]

SHEET:

1 OF 1

DATE:

01-09-10

SCALE:

NTS

U.O.M.: INCHES [mm]

SHEET:

1 OF 1

DATE:

01-09-10

SCALE:

NTS

U.O.M.: INCHES [mm]

SHEET:

1 OF 1

DATE:

01-09-10

SCALE:

NTS

U.O.M.: INCHES [mm]

SHEET:

1 OF 1

DATE:

01-09-10

SCALE:

NTS

U.O.M.: INCHES [mm]

SHEET:

1 OF 1

DATE:

01-09-10

SCALE:

NTS

U.O.M.: INCHES [mm]

SHEET:

1 OF 1

DATE:

01-09-10

SCALE:

NTS

U.O.M.: INCHES [mm]

SHEET:

1 OF 1

DATE:

01-09-10

SCALE:

NTS

U.O.M.: INCHES [mm]

SHEET:

1 OF 1

DATE:

01-09-10

SCALE:

NTS

U.O.M.: INCHES [mm]

SHEET:

1 OF 1

DATE:

01-09-10

SCALE:

NTS

U.O.M.: INCHES [mm]

SHEET:

1 OF 1

DATE:

01-09-10

SCALE:

NTS

U.O.M.: INCHES [mm]

SHEET:

1 OF 1

DATE:

01-09-10

SCALE:

NTS

U.O.M.: INCHES [mm]

SHEET:

1 OF 1

DATE:

01-09-10

SCALE:

NTS

U.O.M.: INCHES [mm]

SHEET:

1 OF 1