



PART NO.

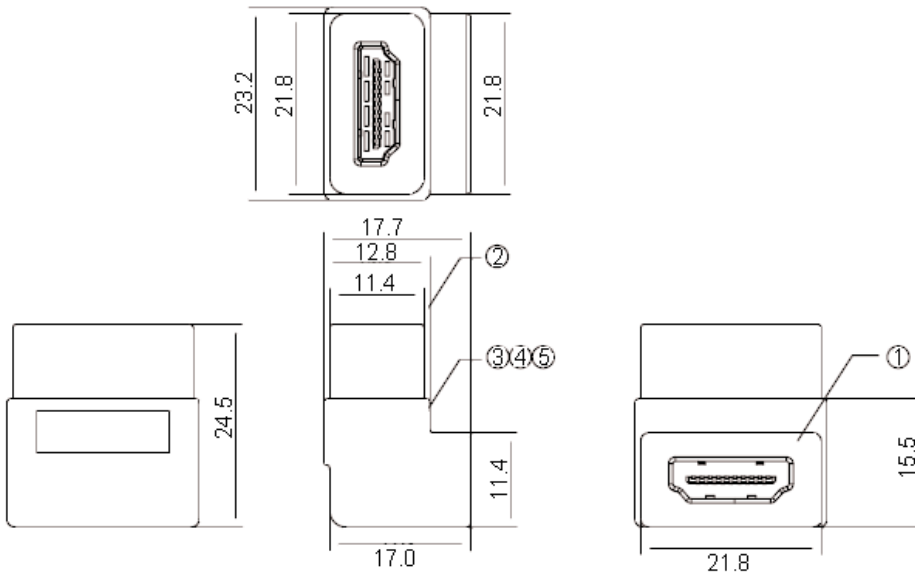
1901121

REVISIONS

ECN #	REV	DESCRIPTION	DRAWN	DATE	CHECKD	DATE	APPRVD	DATE
-	A	RELEASED	Babu	28/2/08	Suresh	28/2/08	G. C	14/3/08

Pin Assignment:

HDMI 19F	HDMI 19F
3	3 (TMDS Data 2-)
1	1 (TMDS Data 2+)
2	2 (TMDS Data 2 Shield)
6	6 (TMDS Data 1-)
4	4 (TMDS Data 1+)
5	5 (TMDS Data 1 Shield)
9	9 (TMDS Data 0-)
7	7 (TMDS Data 0+)
8	8 (TMDS Data 0 Shield)
12	12 (TMDS Clock -)
10	10 (TMDS Clock +)
11	11 (TMDS Clock Shield)
18	18 (+5V Power)
17	17 (Ground)
15	15 (DDC Clock)
16	16 (DDC Data)
19	19 (Hot Plug Detect)
13	13 (CEC)
14	14 (NC)
Shell	Shell



Dimensions : Millimetres

This data sheet and its contents (the "Information") belong to the Premier Farnell Group (the "Group") or are licensed to it. No licence is granted for the use of it other than for information purposes in connection with the products to which it relates. No licence of any intellectual property rights is granted. The Information is subject to change without notice and replaces all data sheets previously supplied. The Information supplied is believed to be accurate but the Group assumes no responsibility for its accuracy or completeness, any error in or omission from it or for any use made of it. Users of this data sheet should check for themselves the Information and the suitability of the products for their purpose and not make any assumptions based on information included or omitted. Liability for loss or damage resulting from any reliance on the Information or use of it (including liability resulting from negligence or where the Group was aware of the possibility of such loss or damage arising) is excluded. This will not operate to limit or restrict the Group's liability for death or personal injury resulting from its negligence. SPC MULTICOMP is the registered trademark of the Group. © Premier Farnell plc 2008.

**TOLERANCES:**  
UNLESS OTHERWISE SPECIFIED, DIMENSIONS ARE FOR REFERENCE PURPOSES ONLY.

<b>DRAWN BY:</b>	<b>DATE:</b>
Babu	28/02/08
<b>CHECKED BY:</b>	<b>DATE:</b>
Suresh	28/02/08
<b>APPROVED BY:</b>	<b>DATE:</b>
G.Cook	14/03/08

**DRAWING TITLE:**

Adapter - HDMI Female to HDMI Female

<b>SIZE</b>	<b>DWG NO.</b>	<b>ELECTRONIC FILE</b>	<b>REV</b>
A	M10000795	1428276_DWG	A
<b>SCALE:</b> NTS	<b>U.O.M.:</b> mm	<b>SHEET:</b> 1 OF 2	



PART NO.

1901121

REVISIONS

ECN #	REV	DESCRIPTION	DRAWN	DATE	CHECKD	DATE	APPRVD	DATE
-	A	RELEASED	Babu	28/2/08	Suresh	28/2/08	G. C	14/3/08

**Specifications:**

**Electrical Characteristics :**

Current Rating : 1A dc  
 Withstanding Voltage : 300V dc, 10ms.  
 Insulation Resistance : 10M ohm.  
 Conductive Resistance : 2 ohm.

**Specification Table**

Number	Part Name	Part Description
1	HDMI Connector	HDMI 19P A Type Female Solder Type With Cover
2	HDMI Connector	HDMI 19P A Type Female Solder Type With PCB
3	PE	PE Low Density
4	PVC	PVC: 45Pa, White (Optional)
5	Copper Foil	Width:10mm T=18U"

**Part Number Table**

Description	Part Number
Adaptor, HDMI Female / HDMI Female, ROHS Compliant	1901121

<http://www.farnell.com>  
<http://www.newark.com>  
<http://www.epc.co.uk>

This data sheet and its contents (the "Information") belong to the Premier Farnell Group (the "Group") or are licensed to it. No licence is granted for the use of it other than for information purposes in connection with the products to which it relates. No licence of any intellectual property rights is granted. The Information is subject to change without notice and replaces all data sheets previously supplied. The Information supplied is believed to be accurate but the Group assumes no responsibility for its accuracy or completeness, any error in or omission from it or for any use made of it. Users of this data sheet should check for themselves the Information and the suitability of the products for their purpose and not make any assumptions based on information included or omitted. Liability for loss or damage resulting from any reliance on the Information or use of it (including liability resulting from negligence or where the Group was aware of the possibility of such loss or damage arising) is excluded. This will not operate to limit or restrict the Group's liability for death or personal injury resulting from its negligence. SPC MULTICOMP is the registered trademark of the Group. © Premier Farnell plc 2008.

<b>TOLERANCES:</b>  <b>UNLESS OTHERWISE SPECIFIED, DIMENSIONS ARE FOR REFERENCE PURPOSES ONLY.</b>	<b>DRAWN BY:</b> Babu	<b>DATE:</b> 28/02/08	<b>DRAWING TITLE:</b> <b>Adapter - HDMI Female to HDMI Female</b>			
	<b>CHECKED BY:</b> Suresh	<b>DATE:</b> 28/02/08	<b>SIZE</b> A	<b>DWG NO.</b> M10000795	<b>ELECTRONIC FILE</b> 1428276_DWG	<b>REV</b> A
	<b>APPROVED BY:</b> G.Cook	<b>DATE:</b> 14/03/08	<b>SCALE:</b> NTS		<b>U.O.M.:</b> mm	<b>SHEET:</b> 2 OF 2