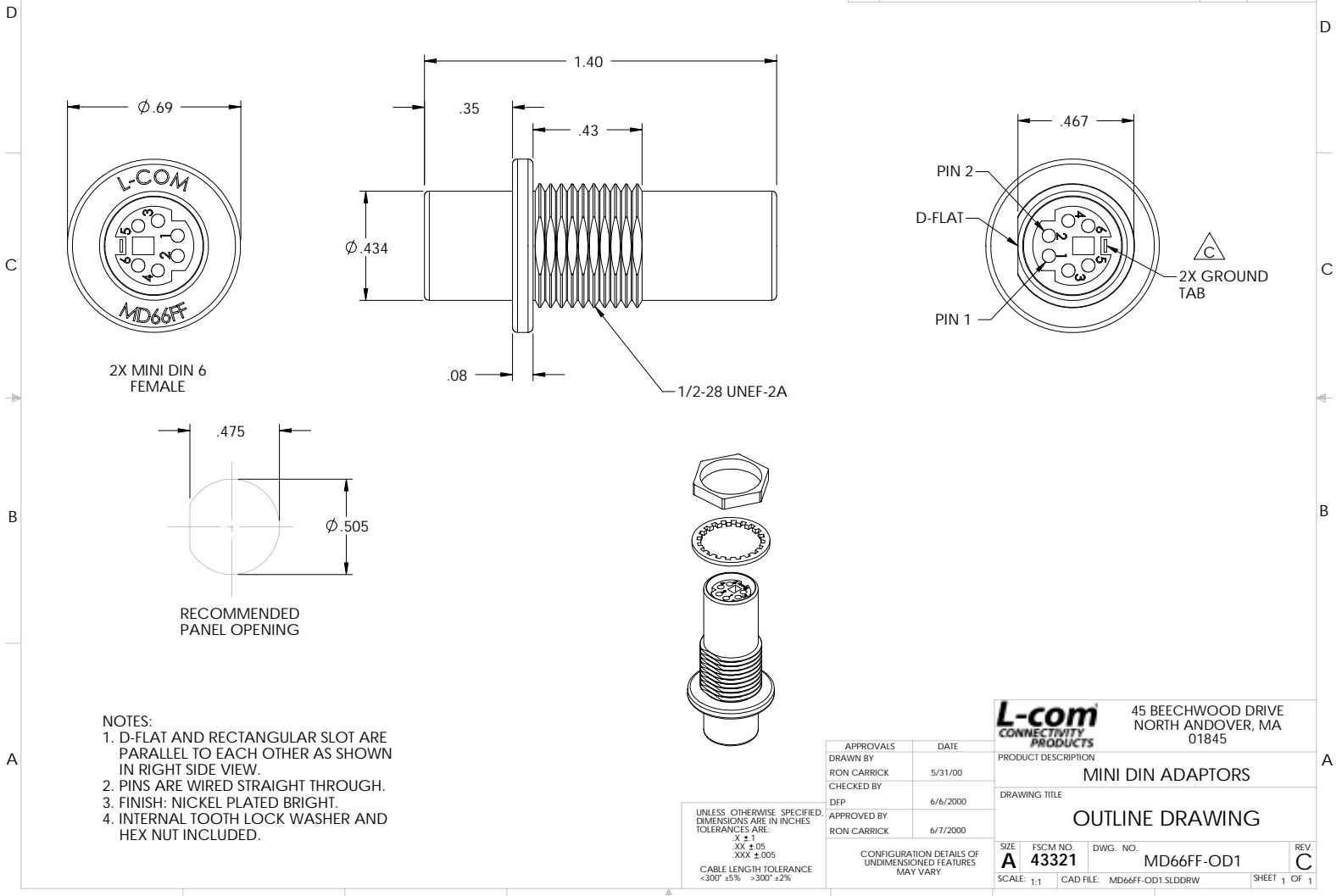


THE INFORMATION CONTAINED IN THIS DRAWING IS THE SOLE PROPERTY OF L-COM, INC. ANY REPRODUCTION IN PART OR WHOLE WITHOUT THE WRITTEN PERMISSION OF L-COM, INC. IS PROHIBITED.

REVISIONS			
REV	DESCRIPTION	DATE	APPROVED
.	RELEASED TO PRODUCTION	6/7/00	R. CARRICK
.	ROTATED LOGO ON CONNECTOR ECN #0769	11/01/00	R. CARRICK
C	ADDED GROUND TABS. SEE ECN # 1030	11/15/01	R. CARRICK



- NOTES:
1. D-FLAT AND RECTANGULAR SLOT ARE PARALLEL TO EACH OTHER AS SHOWN IN RIGHT SIDE VIEW.
 2. PINS ARE WIRED STRAIGHT THROUGH.
 3. FINISH: NICKEL PLATED BRIGHT.
 4. INTERNAL TOOTH LOCK WASHER AND HEX NUT INCLUDED.

UNLESS OTHERWISE SPECIFIED TOLERANCES ARE:
 .X ± .1
 .XX ± .05
 .XXX ± .005
 CABLE LENGTH TOLERANCE
 <300' ±5% >300' ±2%

APPROVALS	DATE	PRODUCT DESCRIPTION
DRAWN BY RON CARRICK	5/31/00	MINI DIN ADAPTORS
CHECKED BY DFP	6/6/2000	DRAWING TITLE
APPROVED BY RON CARRICK	6/7/2000	OUTLINE DRAWING
CONFIGURATION DETAILS OF UNDIMENSIONED FEATURES MAY VARY		SIZE: A
FSCM NO. 43321	DWG. NO. MD66FF-OD1	REV. C
SCALE: 1:1	CAD FILE: MD66FF-OD1.SLDDRW	SHEET 1 OF 1

L-com 45 BEECHWOOD DRIVE
 CONNECTIVITY PRODUCTS NORTH ANDOVER, MA 01845