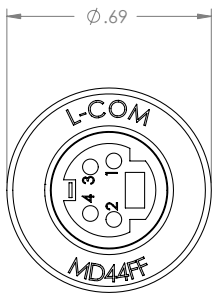


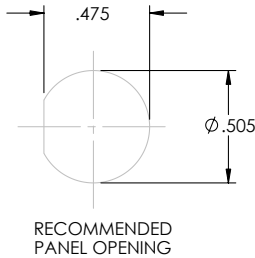
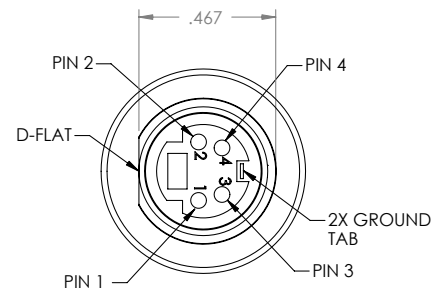
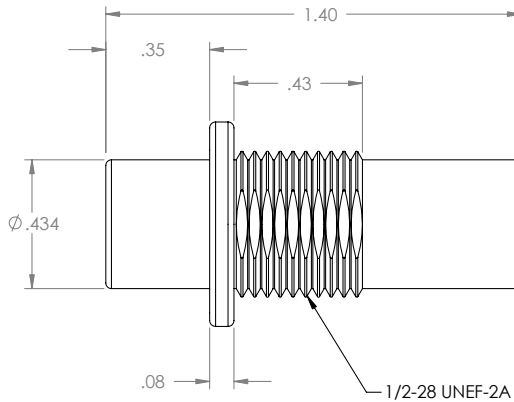
THE INFORMATION CONTAINED IN THIS DRAWING IS THE SOLE PROPERTY OF L-COM, INC. ANY REPRODUCTION IN PART OR WHOLE WITHOUT THE WRITTEN PERMISSION OF L-COM, INC. IS PROHIBITED.

RoHS Compliant ✓

REVISIONS			
REV	DESCRIPTION	DATE	CHANGED BY
A	RELEASED TO PRODUCTION	4/13/00	R. CARRICK
B	ADDED GROUND TAB. SEE ECN #1030	11/15/01	R. CARRICK
C	PRODUCT VALIDATION UPDATES (ECN 1204)	01/14/03	MCCORMICK
D	ECN# 2731 - ADDED ROHS STAMP	10/23/07	D.GRIFFIN



2X MINI DIN 4 FEMALE



RECOMMENDED PANEL OPENING

NOTES:

1. D-FLAT AND RECTANGULAR SLOT ARE PARALLEL TO EACH OTHER.
2. PINS ARE WIRED STRAIGHT THROUGH.
3. FINISH: NICKEL PLATED BRIGHT.
4. INTERNAL TOOTH LOCK WASHER AND HEX NUT INCLUDED.

L-com 45 BEECHWOOD DRIVE
NORTH ANDOVER, MA 01845

CONNECTIVITY PRODUCTS CATEGORY AUDIO VIDEO

PRODUCT DESCRIPTION MIN DIN-4 ADAPTOR

APPROVALS	DATE
DRAWN BY RON CARRICK	4/13/2000
CHECKED BY DFP	4/13/2000
APPROVED BY TJC	4/13/2000

PROJ. CONFIGURATION DETAILS OF UNDIMENSIONED FEATURES MAY VARY

SIZE **A** FSCM NO. **43321** DWG. NO. MD44FF REV. D

SCALE: NONE CAD FILE: MD44FF.SLDDRW SHEET 1 OF 1