

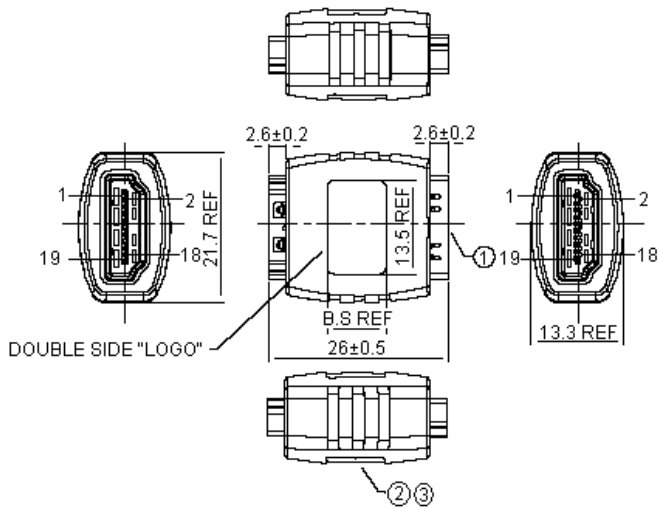


PART NO.

1901119

REVISIONS

ECN #	REV	DESCRIPTION	DRAWN	DATE	CHECKD	DATE	APPRVD	DATE
-	A	RELEASED	Jaya	12/4/08	Suresh	12/4/08	G. C	25/4/08



Dimensions : Millimetres (Inches)

Pin Assignment:

HDMI 19F	HDMI 19F
3	3 (TMDS Data 2-)
1	1 (TMDS Data 2+)
2	2 (TMDS Data 2 Shield)
6	6 (TMDS Data 1-)
4	4 (TMDS Data 1+)
5	5 (TMDS Data 1 Shield)
9	9 (TMDS Data 0-)
7	7 (TMDS Data 0+)
8	8 (TMDS Data 0 Shield)
12	12 (TMDS Clock -)
10	10 (TMDS Clock +)
11	11 (TMDS Clock Shield)
HDMI 19F	HDMI 19F
18	18 (+5V Power)
17	17 (Ground)
15	15 (DDC Clock)
16	16 (DDC Data)
19	19 (Hot Plug Detect)
13	13 (CEC)
14	14 (NC)
SHELL	SHELL

This data sheet and its contents (the "Information") belong to the Premier Farnell Group (the "Group") or are licensed to it. No licence is granted for the use of it other than for information purposes in connection with the products to which it relates. No licence of any intellectual property rights is granted. The Information is subject to change without notice and replaces all data sheets previously supplied. The Information supplied is believed to be accurate but the Group assumes no responsibility for its accuracy or completeness, any error in or omission from it or for any use made of it. Users of this data sheet should check for themselves the Information and the suitability of the products for their purpose and not make any assumptions based on information included or omitted. Liability for loss or damage resulting from any reliance on the Information or use of it (including liability resulting from negligence or where the Group was aware of the possibility of such loss or damage arising) is excluded. This will not operate to limit or restrict the Group's liability for death or personal injury resulting from its negligence. SPC MULTICOMP is the registered trademark of the Group. © Premier Farnell plc 2008.

TOLERANCES:
UNLESS OTHERWISE SPECIFIED, DIMENSIONS ARE FOR REFERENCE PURPOSES ONLY.

DRAWN BY:	DATE:
Jaya	12/04/08
CHECKED BY:	DATE:
Suresh	12804/08
APPROVED BY:	DATE:
G.Cook	25/04/08

DRAWING TITLE:

HDMI Adapter - Female / Female

SIZE	DWG NO.	ELECTRONIC FILE	REV
A	M10000855	1428274_DWG	A
SCALE: NTS		U.O.M.: mm	SHEET: 1 OF 3



PART NO.

1901119

REVISIONS

ECN #	REV	DESCRIPTION	DRAWN	DATE	CHECKD	DATE	APPRVD	DATE
-	A	RELEASED	Jaya	12/4/08	Suresh	12/4/08	G. C	25/4/08

Electrical Characteristics:

Current Rating : 1A dc.
 Withstanding Voltage : 300V dc,10ms.
 Insulation Resistance : 10m ohm.
 Conductive Resistance : 2 ohm.

Specification Table

Item Number	Part Name	Description	Part Number
1	HDMI Conn	HDMI 19P Female 30μ / AU Black Shell G / F Solder Type	1901119
2	PE	PE Low Density	
3	PVC	PVC: 45Pα , UL94V - 0 , Black	

This data sheet and its contents (the "Information") belong to the Premier Farnell Group (the "Group") or are licensed to it. No licence is granted for the use of it other than for information purposes in connection with the products to which it relates. No licence of any intellectual property rights is granted. The Information is subject to change without notice and replaces all data sheets previously supplied. The Information supplied is believed to be accurate but the Group assumes no responsibility for its accuracy or completeness, any error in or omission from it or for any use made of it. Users of this data sheet should check for themselves the Information and the suitability of the products for their purpose and not make any assumptions based on information included or omitted. Liability for loss or damage resulting from any reliance on the Information or use of it (including liability resulting from negligence or where the Group was aware of the possibility of such loss or damage arising) is excluded. This will not operate to limit or restrict the Group's liability for death or personal injury resulting from its negligence. SPC MULTICOMP is the registered trademark of the Group. © Premier Farnell plc 2008.

**TOLERANCES:
UNLESS OTHERWISE SPECIFIED, DIMENSIONS ARE FOR REFERENCE PURPOSES ONLY.**

DRAWN BY:	DATE:
Jaya	12/04/08
CHECKED BY:	DATE:
Suresh	12804/08
APPROVED BY:	DATE:
G.Cook	25/04/08

DRAWING TITLE:			
HDMI Adapter - Female / Female			
SIZE	DWG NO.	ELECTRONIC FILE	REV
A	M10000855	1428274_DWG	A
SCALE: NTS		U.O.M.: mm	SHEET: 2 OF 3



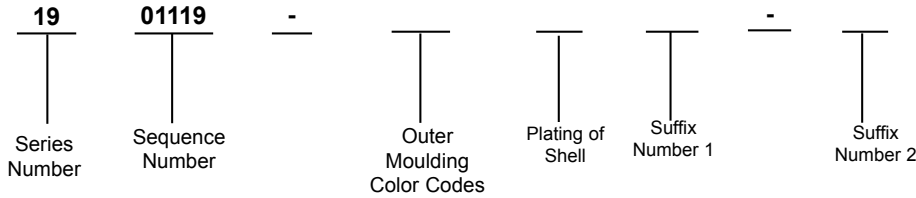
PART NO.

1901119

REVISIONS

ECN #	REV	DESCRIPTION	DRAWN	DATE	CHECKD	DATE	APPRVD	DATE
-	A	RELEASED	Jaya	12/4/08	Suresh	12/4/08	G. C	25/4/08

Part Number Explanation:



- Series Number** : 19 = Adapter Series.
- Sequence Number** : 01119 = (Ex. 01001-01999)HDMI(Female) to HDMI(Female) Adapter.
- Outer Moulding Color Codes** : 3 = Black, 7 = Red & 9 = Yellow.
- Plating of Shell** : 1 = Shell Plated Gold, 2 = Shell Plated NI.
- Suffix Number 1** : A = Connector Without Wing.
- Suffix Number 2** : D = No Logo, PVC Tray Packing.

<http://www.farnell.com>
<http://www.newark.com>
<http://www.cpc.co.uk>

This data sheet and its contents (the "Information") belong to the Premier Farnell Group (the "Group") or are licensed to it. No licence is granted for the use of it other than for information purposes in connection with the products to which it relates. No licence of any intellectual property rights is granted. The Information is subject to change without notice and replaces all data sheets previously supplied. The Information supplied is believed to be accurate but the Group assumes no responsibility for its accuracy or completeness, any error in or omission from it or for any use made of it. Users of this data sheet should check for themselves the Information and the suitability of the products for their purpose and not make any assumptions based on information included or omitted. Liability for loss or damage resulting from any reliance on the Information or use of it (including liability resulting from negligence or where the Group was aware of the possibility of such loss or damage arising) is excluded. This will not operate to limit or restrict the Group's liability for death or personal injury resulting from its negligence. SPC MULTICOMP is the registered trademark of the Group. © Premier Farnell plc 2008.

TOLERANCES:
UNLESS OTHERWISE SPECIFIED, DIMENSIONS ARE FOR REFERENCE PURPOSES ONLY.

DRAWN BY:	DATE:
Jaya	12/04/08
CHECKED BY:	DATE:
Suresh	12804/08
APPROVED BY:	DATE:
G.Cook	25/04/08

DRAWING TITLE:			
HDMI Adapter - Female / Female			
SIZE	DWG NO.	ELECTRONIC FILE	REV
A	M10000855	1428274_DWG	A
SCALE: NTS		U.O.M.: mm	SHEET: 3 OF 3