

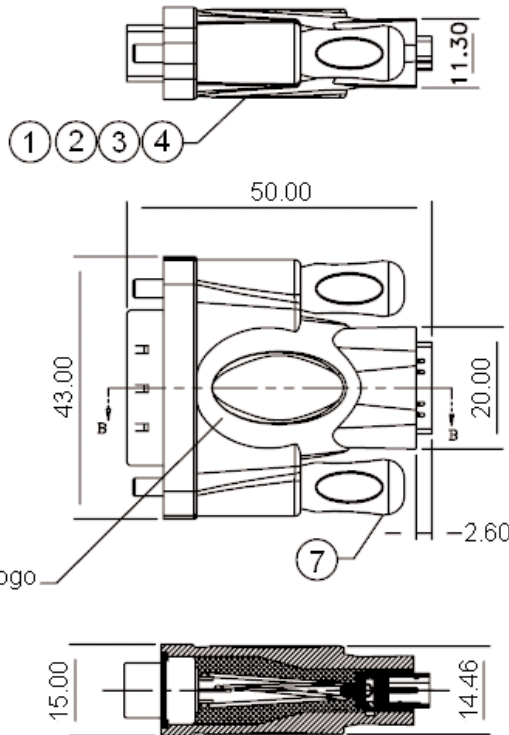


PART NO.

1901116

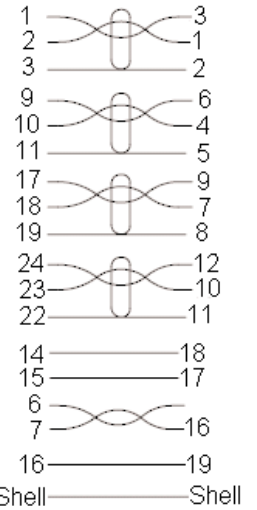
REVISIONS

| ECN # | REV | DESCRIPTION | DRAWN | DATE | CHECKD | DATE | APPRVD | DATE |
|-------|-----|-------------|--------|---------|--------|---------|--------|---------|
| - | A | RELEASED | Sumana | 27/2/08 | Suresh | 27/2/08 | G. C | 13/3/08 |



Pin Assignment:

DVI CONN. HDMI 19P CONN.



Section: B-B

Dimensions : Millimetres

This data sheet and its contents (the "Information") belong to the Premier Farnell Group (the "Group") or are licensed to it. No licence is granted for the use of it other than for information purposes in connection with the products to which it relates. No licence of any intellectual property rights is granted. The Information is subject to change without notice and replaces all data sheets previously supplied. The Information supplied is believed to be accurate but the Group assumes no responsibility for its accuracy or completeness, any error in or omission from it or for any use made of it. Users of this data sheet should check for themselves the Information and the suitability of the products for their purpose and not make any assumptions based on information included or omitted. Liability for loss or damage resulting from any reliance on the Information or use of it (including liability resulting from negligence or where the Group was aware of the possibility of such loss or damage arising) is excluded. This will not operate to limit or restrict the Group's liability for death or personal injury resulting from its negligence. SPC MULTICOMP is the registered trademark of the Group. © Premier Farnell plc 2008.

TOLERANCES:

UNLESS OTHERWISE SPECIFIED, DIMENSIONS ARE FOR REFERENCE PURPOSES ONLY.

| | |
|--------------|----------|
| DRAWN BY: | DATE: |
| Sumana | 27/02/08 |
| CHECKED BY: | DATE: |
| Suresh | 27/02/08 |
| APPROVED BY: | DATE: |
| G.Cook | 13/03/08 |

DRAWING TITLE:

Adapter - HDMI Female to DVI Male

| | | | |
|------------|------------|-----------------|-----|
| SIZE | DWG NO. | ELECTRONIC FILE | REV |
| A | M10000791 | 1428271_DWG | A |
| SCALE: NTS | U.O.M.: mm | SHEET: 1 OF 2 | |



PART NO.

1901116

REVISIONS

| ECN # | REV | DESCRIPTION | DRAWN | DATE | CHECKD | DATE | APPRVD | DATE |
|-------|-----|-------------|--------|---------|--------|---------|--------|---------|
| - | A | RELEASED | Sumana | 27/2/08 | Suresh | 27/2/08 | G. C | 13/3/08 |

Specifications:

Electrical Characteristics :

Current Rating : 1A dc.
 Withstanding Voltage : 300V dc.
 Insulation Resistance : 10M ohm.
 Conductive Resistance : 2 ohm.

Specification Table

| Number | Part Name | Part Description |
|--------|----------------|---|
| 1 | Cable | (28AWG*1PR + Drain Wire + Free Edge Al/Mylar)*4 + 28AWG*5C Impedance: 100 ohm |
| 2 | Wire | UL1007 28# (7C/0.127TS) Black OD: 1.2mm |
| 3 | PE | PE Low Density |
| 4 | PVC | PVC: 45Pa 94V-0 (Optional) |
| 5 | HDMI Connector | HDMI 19P Female 30μ"/Au Black Shell G/F Solder Type |
| 6 | DVI Connector | DVI Connector Male 15μ"/Au Solder for Molding Type |
| 7 | Screw | Thumbscrew: 4#-40UNC, L = 44.8mm |

Part Number Table

| Description | Part Number |
|---|-------------|
| Adaptor, HDMI Female / DVI Male, ROHS Compliant | 1901116 |

<http://www.farnell.com>
<http://www.newark.com>
<http://www.epc.co.uk>

This data sheet and its contents (the "Information") belong to the Premier Farnell Group (the "Group") or are licensed to it. No licence is granted for the use of it other than for information purposes in connection with the products to which it relates. No licence of any intellectual property rights is granted. The Information is subject to change without notice and replaces all data sheets previously supplied. The Information supplied is believed to be accurate but the Group assumes no responsibility for its accuracy or completeness, any error in or omission from it or for any use made of it. Users of this data sheet should check for themselves the Information and the suitability of the products for their purpose and not make any assumptions based on information included or omitted. Liability for loss or damage resulting from any reliance on the Information or use of it (including liability resulting from negligence or where the Group was aware of the possibility of such loss or damage arising) is excluded. This will not operate to limit or restrict the Group's liability for death or personal injury resulting from its negligence. SPC MULTICOMP is the registered trademark of the Group. © Premier Farnell plc 2008.

TOLERANCES:

UNLESS OTHERWISE SPECIFIED, DIMENSIONS ARE FOR REFERENCE PURPOSES ONLY.

| | |
|---------------------|--------------|
| DRAWN BY: | DATE: |
| Sumana | 27/02/08 |
| CHECKED BY: | DATE: |
| Suresh | 27/02/08 |
| APPROVED BY: | DATE: |
| G.Cook | 13/03/08 |

| | | | |
|-----------------------------------|----------------|------------------------|----------------------|
| DRAWING TITLE: | | | |
| Adapter - HDMI Female to DVI Male | | | |
| SIZE | DWG NO. | ELECTRONIC FILE | REV |
| A | M10000791 | 1428271_DWG | A |
| SCALE: NTS | | U.O.M.: mm | SHEET: 2 OF 2 |