



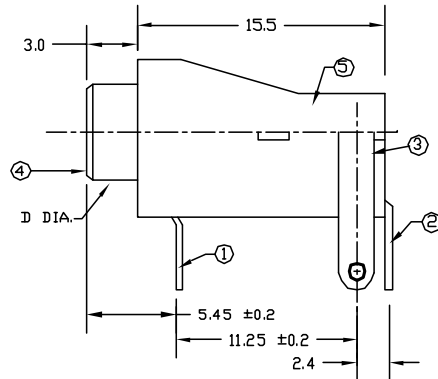
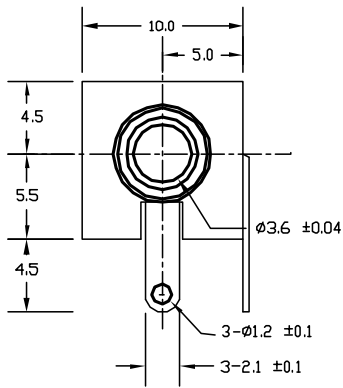
ALL RIGHTS RESERVED. NO PORTION OF THIS PUBLICATION, WHETHER IN WHOLE OR IN PART, CAN BE REPRODUCED WITHOUT THE EXPRESS WRITTEN CONSENT OF SPC TECHNOLOGY.

SPC-F005.DWG

REVISIONS

DOC NO: SPC-F005 * Effective: 7/8/08 * DCP No: 1398

| DCP # | REV | DESCRIPTION | DRAWN | DATE | CHECKD | DATE | APPRVD | DATE |
|-------|-----|-------------|-------|----------|--------|----------|--------|----------|
| XX | A | Released | LG | 20-09-08 | JN | 20-09-08 | JN | 20-09-08 |



SPECIFICATIONS

ELECTRICAL:

CONTACT RATING: 1A @ 12VDC
 CONTACT RESISTANCE: 30 MILLIOHMS MAX.
 INSULATION RESISTANCE: 50 MEGOHMS MIN. @ 250VD

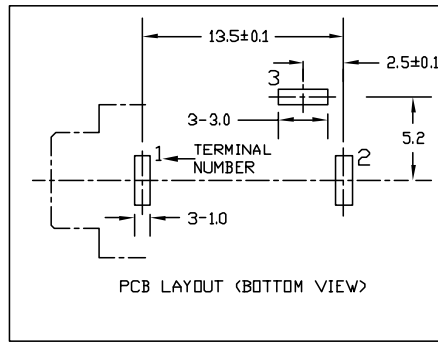
DIELECTRIC STRENGTH: 250 VAC FOR 1 MINUTE

MECHANICAL:

LIFE CYCLE: 5,000 CYCLES
 INSERTION FORCE: 0.4 Kg TO 1.5 kg
 WITHDRAWAL FORCE: 0.4 Kg TO 1.5 kg

| ITEM | NAME | QTY | MATERIAL/FINISH |
|------|-----------|-----|--------------------------------------|
| ⑤ | HOUSING | 1 | PPD, UL94V-1, BLACK |
| ④ | BUSHING | 1 | BRASS - NICKEL PLATED |
| ③ | TIP SHUNT | 1 | BRASS 0.4mm THICK - TIN PLATED |
| ② | HOUSING | 1 | TI-CU Alloy 0.2mm THICK - TIN PLATED |
| ① | SLEEVE | 1 | BRASS 0.3mm THICK - TIN PLATED |

| | |
|-----------|--------------|
| D DIA. | NON THREADED |
| | Ø6.0 |
| SCHEMATIC | |



DISCLAIMER:
 ALL STATEMENTS AND TECHNICAL INFORMATION CONTAINED HEREIN ARE BASED UPON INFORMATION AND/OR TESTS WE BELIEVE TO BE ACCURATE AND RELIABLE. SINCE CONDITIONS OF USE ARE BEYOND OUR CONTROL, THE USER SHALL DETERMINE THE SUITABILITY OF THE PRODUCT FOR THE INTENDED USE AND ASSUME ALL RISK AND LIABILITY WHATSOEVER IN CONNECTION THEREWITH.

TOLERANCES:
 UNLESS OTHERWISE SPECIFIED, DIMENSIONS ARE FOR REFERENCE PURPOSES ONLY.

| | |
|--------------|----------|
| DRAWN BY: | DATE: |
| LG | 20-09-08 |
| CHECKED BY: | DATE: |
| JN | 20-09-08 |
| APPROVED BY: | DATE: |
| JN | 20-09-08 |

| | | | |
|------------------------|---------------------|-----------------|-----|
| DRAWING TITLE: | | | |
| MONO AUDIO JACK | | | |
| SIZE | DWG. NO. | ELECTRONIC FILE | REV |
| A | SPC21506 | 11M0702 | A |
| SCALE: NTS | U.O.M.: INCHES [mm] | SHEET: 1 OF 1 | |