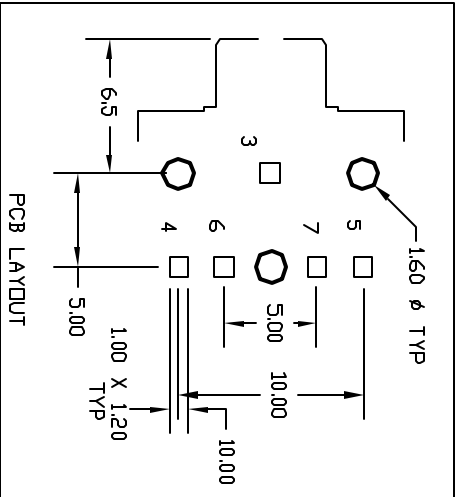
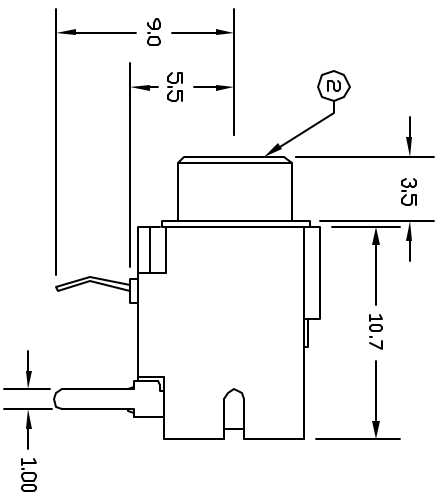
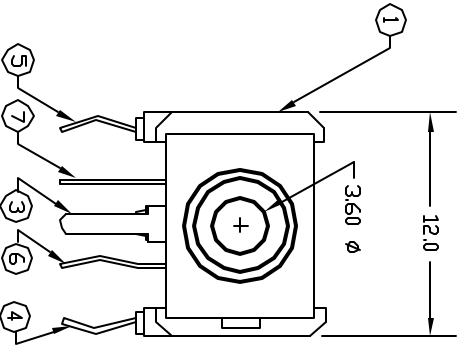


ALL RIGHTS RESERVED. NO PORTION OF THIS PUBLICATION, WHETHER IN WHOLE OR IN PART CAN BE REPRODUCED WITHOUT THE EXPRESS WRITTEN CONSENT OF SPC TECHNOLOGY.

SPC-F005.DWG

REVISONS		DOC. NO. SPC-F005	* Effective 7/8/02	* DCP No. 1398				
DCP #	REV	DESCRIPTION	DRAWN	DATE	CHECKD	DATE	APPRVD	DATE
XX	XX	XXXX	XXXX	06-08-08	XXXX	06-08-08	XXXX	06-08-08
XXXX	XXXX		XXXX	06-08-08	XXXX	06-08-08	XXXX	06-08-08



SPECIFICATIONS

ELECTRICAL:

- CONTACT RESISTANCE : 30 MILLIOHMS MAX.
- INSULATION RESISTANCE : 100 MEGOHMS MIN. AT 500 VDC
- DIELECTRIC STRENGTH : 500 VAC FOR 60 SECONDS

MECHANICAL:

- LIFE : 5000 CYCLES
- INSERTION FORCE : 0.3 - 2.0 KG
- WITHDRAWAL FORCE : 0.3 - 2.0 KG



DISCLAIMER:
ALL STATEMENTS AND TECHNICAL INFORMATION CONTAINED HEREIN ARE BASED UPON INFORMATION AND/OR TESTS WE BELIEVE TO BE ACCURATE AND RELIABLE. SINCE CONDITIONS OF USE ARE BEYOND OUR CONTROL, THE USER SHALL DETERMINE THE SUITABILITY OF THE PRODUCT FOR THE INTENDED USE AND ASSUME ALL RISK AND LIABILITY WHATSOEVER IN CONNECTION THEREWITH.

TOLERANCES:
UNLESS OTHERWISE SPECIFIED, DIMENSIONS ARE FOR REFERENCE PURPOSES ONLY.

DRAWN BY:	DATE:
XXXX	06-08-08
CHECKED BY:	DATE:
XXXX	06-08-08
APPROVED BY:	DATE:
XXXX	06-08-08

DRAWING TITLE:		AUDIO JACK	
SIZE	DWG. NO.	ELECTRONIC FILE	REV
A	SPC21353	11M0548	XX
SCALE:	NTS	U.D.M., INCHES [MM]	SHEET: 1 OF 1