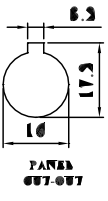
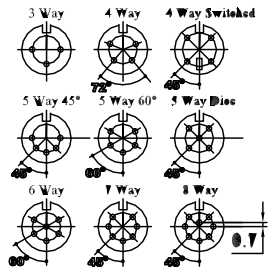
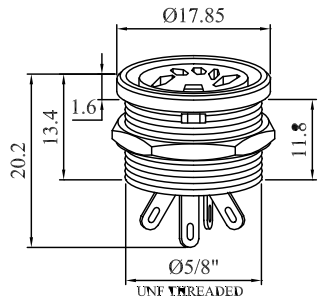


A range of professional chassis mounting sockets, designed for panel mounting via a single hexagonal turned brass nut. These sockets incorporate an anti-rotational locating spigot, and mate with all standard lockable plugs.



Material	
Housing	Brass, sprayed with black paint
Moulding	Noryl SE1
Contacts	Brass, silver plated
Nut	Brass, nickel plated

Dimensions



Product Specification	
Test Voltage:	1000 V d.c
Current Rating:	4 A
Insulation Resistance:	10 ¹¹ Ω min at 100 V d.c
Contact Resistance:	10 ¹¹ Ω max
Capacity (mated):	3pF
Temperature Range:	-25°C to +75°C

Type	Deltron No
3 Way	651-0300
4 Way	651-0400
4 Way Switched	651-0410
5 Way 45°	651-0500
5 Way 60°	651-0510
5 Way Dice	651-0520
6 Way	651-0600
7 Way	651-0700
8 Way	651-0800

CONVERTED FROM PS0481 ISS3 (19.06.96) IN JAN 2003

DrgNo 651 SERIES		TITLE PROFESSIONAL CIRCULAR CHASSIS SOCKET (BLACK)		ALL DIMENSIONS IN MM ANGLES IN DECIMAL DEGREES	
IN\SETUP\AMD_TEMP\PLATES\Deltron\components\BMM		GENERAL SPECIFICATION FOR 651 SERIES		CUSTOMER FILTER REF LGS00187	
ISSUE	6	Aprvd Date	20/07/06	Aprvd By	BFS
		Drwn by	BS	Scale:	NTS
				Sheet	1 / 1

© Deltron Emcon Limited E-Mail components@deltron-emcon.com, Website www.deltron-emcon.com. Phone +44 1724 273200 Fax +44 1724 270230