



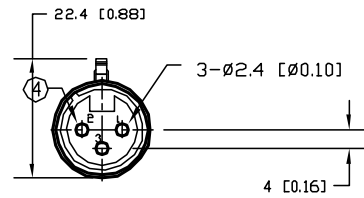
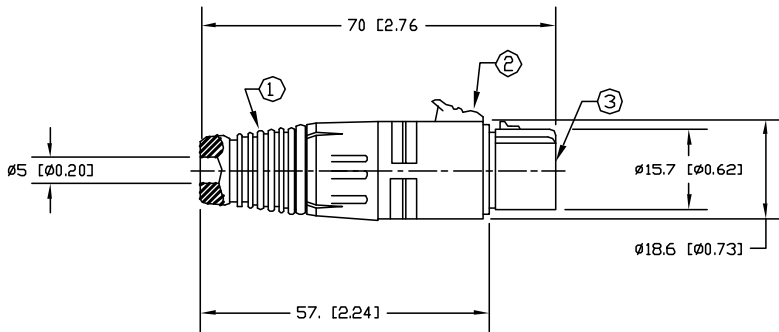
ALL RIGHTS RESERVED. NO PORTION OF THIS PUBLICATION, WHETHER IN WHOLE OR IN PART, CAN BE REPRODUCED WITHOUT THE EXPRESS WRITTEN CONSENT OF SPC TECHNOLOGY.

SPC-F005.DWG

REVISIONS

DOC. NO. SPC-F005 * Effective 7/8/08 * DCP No: 1398

DCP #	REV	DESCRIPTION	DRAWN	DATE	CHECKD	DATE	APPRVD	DATE
XX	A	Released	LG	22-09-08	JN	22-09-08	JN	22-09-08



SPECIFICATIONS

ELECTRICAL:

- CONTACT RATING : 15A @ 125VAC
- CONTACT RESISTANCE : 5 MILLIOHMS MAX.
- INSULATION RESISTANCE : 5000 MEGOHMS MIN. @ 500VDC
- DIELECTRIC STRENGTH : 1400VAC
- CAPACITANCE : 4pF MAX.

MECHANICAL:

- INSERTION FORCE : 1.0 - 8.0 Kg
- WITHDRAWAL FORCE : 1.0 - 8.0 Kg

ENVIRONMENTAL:

- OPERATING TEMPERATURE : -55°C TO +70°C

ITEM	PART	QTY	MATERIAL/FINISH
1	STRAIN RELIEF	1	NYLON; BLACK
1	HOUSING	1	ZINC DIE-CAST; NICKEL PLATED
1	INSERT INSULATOR	1	PPT; BLACK
1	SOCKET	3	PHOSPHOR COPPER; SILVER PLATED

DISCLAIMER:
ALL STATEMENTS AND TECHNICAL INFORMATION CONTAINED HEREIN ARE BASED UPON INFORMATION AND/OR TESTS WE BELIEVE TO BE ACCURATE AND RELIABLE. SINCE CONDITIONS OF USE ARE BEYOND OUR CONTROL, THE USER SHALL DETERMINE THE SUITABILITY OF THE PRODUCT FOR THE INTENDED USE AND ASSUME ALL RISK AND LIABILITY WHATSOEVER IN CONNECTION THEREWITH.

TOLERANCES:
UNLESS OTHERWISE SPECIFIED, DIMENSIONS ARE FOR REFERENCE PURPOSES ONLY.

DRAWN BY:	DATE:
LG	22-09-08
CHECKED BY:	DATE:
JN	22-09-08
APPROVED BY:	DATE:
JN	22-09-08

DRAWING TITLE:			
XLR PLUG			
SIZE	DWG. NO.	ELECTRONIC FILE	REV
A	SPC24105	14N8165	A
SCALE: NTS	U.O.M.: INCHES [mm]	SHEET: 1 OF 1	