



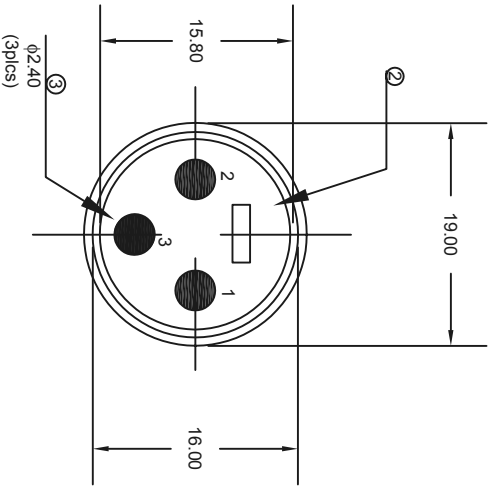
SPC
TECHNOLOGY

ALL RIGHTS RESERVED. NO PORTION OF THIS PUBLICATION,
WHETHER IN WHOLE OR IN PART CAN BE REPRODUCED
WITHOUT THE EXPRESS WRITTEN CONSENT OF SPC
TECHNOLOGY.

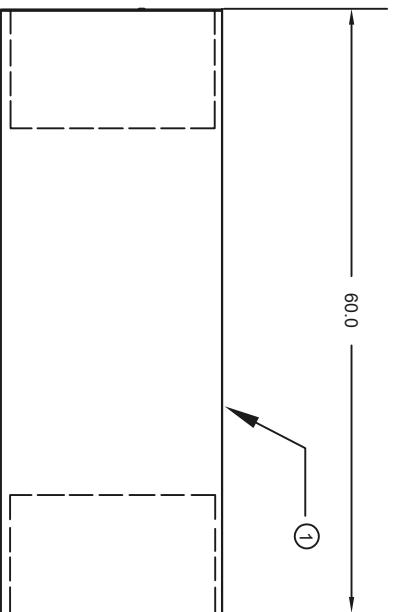
SPC-F005.DWG

| REVISIONS | | DOC. NO. | DATE | CHECKD | DATE | APPRVD | DATE |
|-----------|-----|-------------|-------|--------|----------|--------|----------|
| DCP # | REV | DESCRIPTION | DRAWN | SID | 02-08-10 | JAG | 05-08-10 |
| | | | | XXX | 17-08-10 | | |

DOC. NO. SPC-F005 * Effective: 7/8/02 * DCP No: 1398



Dimensions : Millimetres



| Item | Description | Qty | Material/Finish |
|------|------------------|-----|------------------------------|
| 1 | Housing | 1 | Zinc Die Cast, Nickel Plated |
| 2 | Insert Insulator | 1 | PP-O-1, UL94V-0 rated, Gray |
| 3 | Pins | 3 | Brass, Silver Plated |

Part Number Table

| Description | Part Number |
|---------------------------------|-------------|
| T-2 Miniature Bayonet Base Lamp | 12RB |

| Wiring | Schematic |
|--------|-----------|
| Pin 1 | Pin 1 |
| Pin 2 | Pin 2 |
| Pin 3 | Pin 3 |

TOLERANCES:

UNLESS OTHERWISE SPECIFIED, DIMENSIONS ARE FOR REFERENCE PURPOSES ONLY.

DISCLAIMER:

ALL STATEMENTS AND TECHNICAL INFORMATION CONTAINED HEREIN ARE BASED UPON INFORMATION AND/OR TESTS WE BELIEVE TO BE ACCURATE AND RELIABLE. SINCE CONDITIONS OF USE ARE BEYOND OUR CONTROL, THE USER SHALL DETERMINE THE SUITABILITY OF THE PRODUCT FOR THE INTENDED USE AND ASSUME ALL RISK AND LIABILITY WHATSOEVER IN CONNECTION THEREWITH.

DRAWN BY:

SID

DATE:

02-08-10

DRAWING TITLE:

Audio Adapter, 3 Pin, Male to Male, XLR Type

CHECKED BY:

JAG

DATE:

05-08-10

SIZE

XXX

ELECTRONIC FILE

84n1125

REV

A

APPROVED BY:

XXX

DATE:

17-08-10

SCALE:

NTS

U.O.M.: INCHES [mm]

SHEET:

1 OF 1