

ADNS-7630

One-Chip Bluetooth® SoC LaserStream™ Navigation Sensor



Data Sheet



Description

ADNS-7630 is the world's first one-chip Bluetooth (BT) 2.1 System-on-Chip (SoC) LaserStream navigation sensor chip for laser-illuminated navigation system. Driven by Avago's LaserStream navigation technology and proprietary optimized cum efficient RF transceiver architecture, it provides a fully integrated and feature-rich navigation system for wireless mouse applications and other integrated input devices. This compact, laser navigation sensor engine from Avago, integrates a BT transceiver, stand-alone baseband processor and VCSEL illumination into a single chip package to provide a complete SoC solution that provides fast and secure connectivity, and easy integration into mouse designs.

ADNS-7630 complies with Bluetooth specification version 2.1 and HID profile version 1.0. The built-in radio provides low-power, low-cost and robust communications for applications operating in the 2.4-GHz unlicensed ISM band. Additionally, this new laser sensor has several features that can be configured via an external EEPROM to simplify mouse and provide flexibility for product customization.

This chip is available in 58-pin custom designed QFN package and designed to be used with the ADNS-7100-001 laser mouse lens to achieve the optimum performance featured in this document. These parts provide a complete and compact navigation system with no moving parts and precise optical alignment to facilitate high volume assembly. Avago has pre-calibrated the laser power prior shipment to meet IEC/EN 60825-1 Class 1 Eye Safety Standard, thus no laser power calibration is required at manufacturer site, therefore reducing assembly time and associated cost.

Applications

- Bluetooth cordless laser mice
- Integrated input devices

Features

- One-chip Bluetooth SoC LaserStream navigation sensor optimized for laser mouse performance
- Bluetooth HID profile version 1.0 compliant.
- Bluetooth specification version 2.1 compatible.
- Compliance to IEC/EN 60825-1 Class 1 Eye Safety
- Fast data transmission through synchronized timing between sensor and Bluetooth system
- Extended battery life with low power architecture and LaserStream navigation technology
 - Extended inquiry response to enable fast discovery of device and to reduce latency
 - Sniff Sub Rating to reduce power consumption for HID.
 - Secure Simple Pairing, which supports “Just Works” and to enhance ease of use user experience.
 - Encryption Pause Resume where better protection through encryption key refreshed during long connection period of use.
- Excellent receiver sensitivity
- Optimized Adaptive Frequency Hopping (AFH) to minimize interference disturbance
- Programmable output power control meets Bluetooth Power Class 2 or Class 3 requirements
- On-chip Power On Reset (POR)
- High speed motion detection at 30 inches per second (ips) & acceleration up to 8g
- Support up to 10 I/O pins for flexible configuration
 - 3-key or 5-key mouse
 - LED indicators
 - Media buttons for audio control
 - KeyMap (KM) for keyboard shortcut key (supported in Bluetooth version 2.0 only)

(continued on next page)

Features (continued)

- Mechanical and optical Z-Wheel interface for vertical scroll
- Tilt-Wheel function for horizontal scroll
- 12-bit Bluetooth HID motion data reporting
- Customizable SDP Service Name, Service Description, Provider Name, VID, PID, & Bluetooth Address
- 4-axis sensor rotations: 0°, 90°, 180° or 270°
- Resolution:
 - Programmable from 250-3000 counts per inch (cpi) with 250cpi incremental step
 - Up to 10 selections of On-the-Fly (OTF) resolution mode setting

Disclaimer: All designers and manufacturers of final product with tilt wheel enabled must assure that they have all necessary intellectual property rights.

Theory of Operation

ADNS-7630 is based on LaserStream navigation technology that measures changes in position by optically acquiring sequential surface images (per frames) and mathematically determining the direction and magnitude of motion. It contains an Image Acquisition System (IAS), a Digital Signal Processor (DSP) and Bluetooth HID stream output. Images acquired by the IAS are processed by the DSP to determine the direction and distance of motion. The DSP generates the Δx and Δy relative displacement values which are converted to Bluetooth HID data. The motion data and buttons input status are then transmitted in wireless mode to the Bluetooth.

Ordering Information

Part Number	Packaging Type	Minimum Order Quantity
ADNS-7630	Tube	1000 units per tube
ADNS-7630-TR	Tape and Reel	4000 units per roll

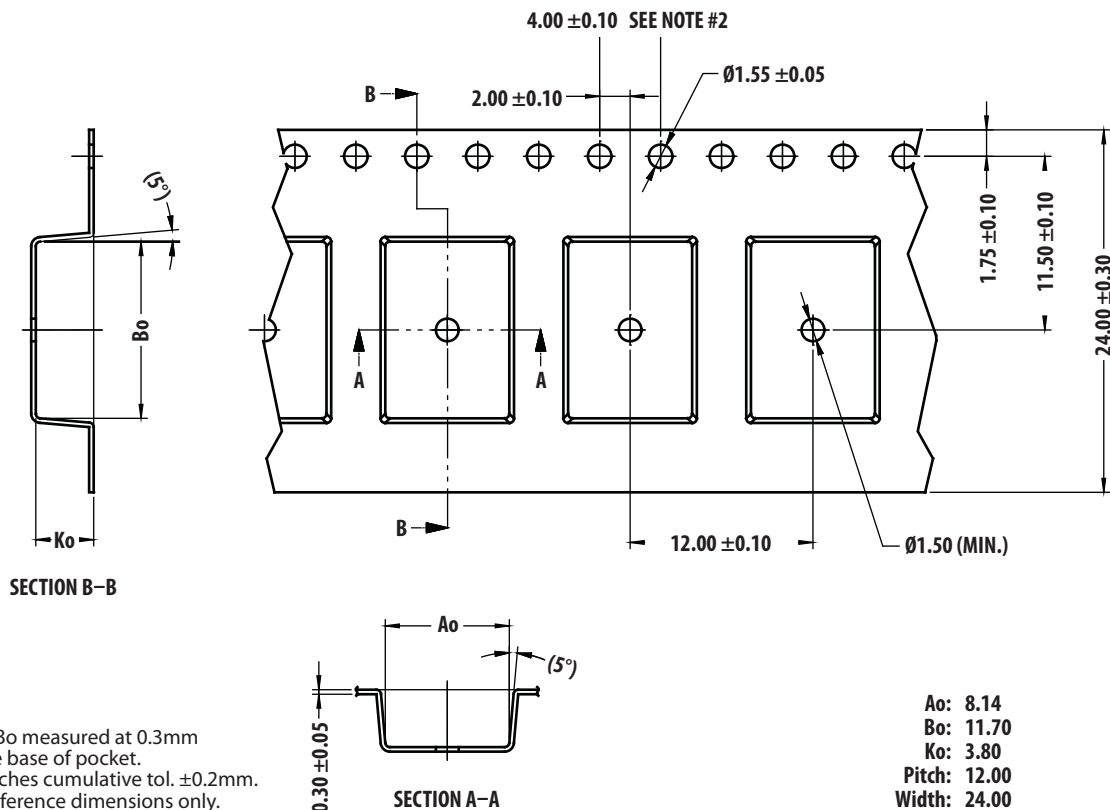


Figure 1a. ADNS-7630-TR Tape and Reel Packaging Dimension

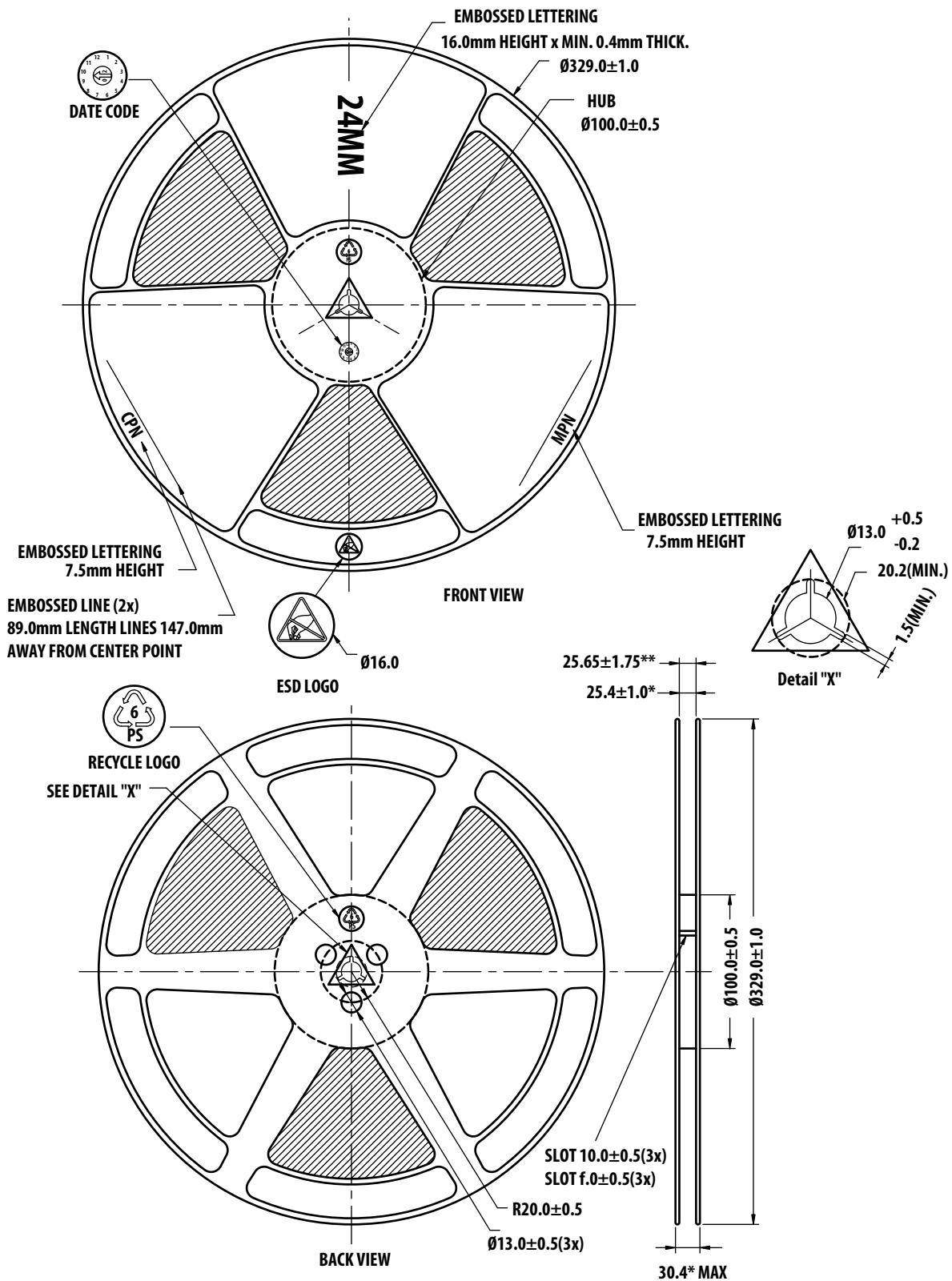


Figure 1b. ADNS-7630-TR Reel Packaging Dimension

Package Pinout

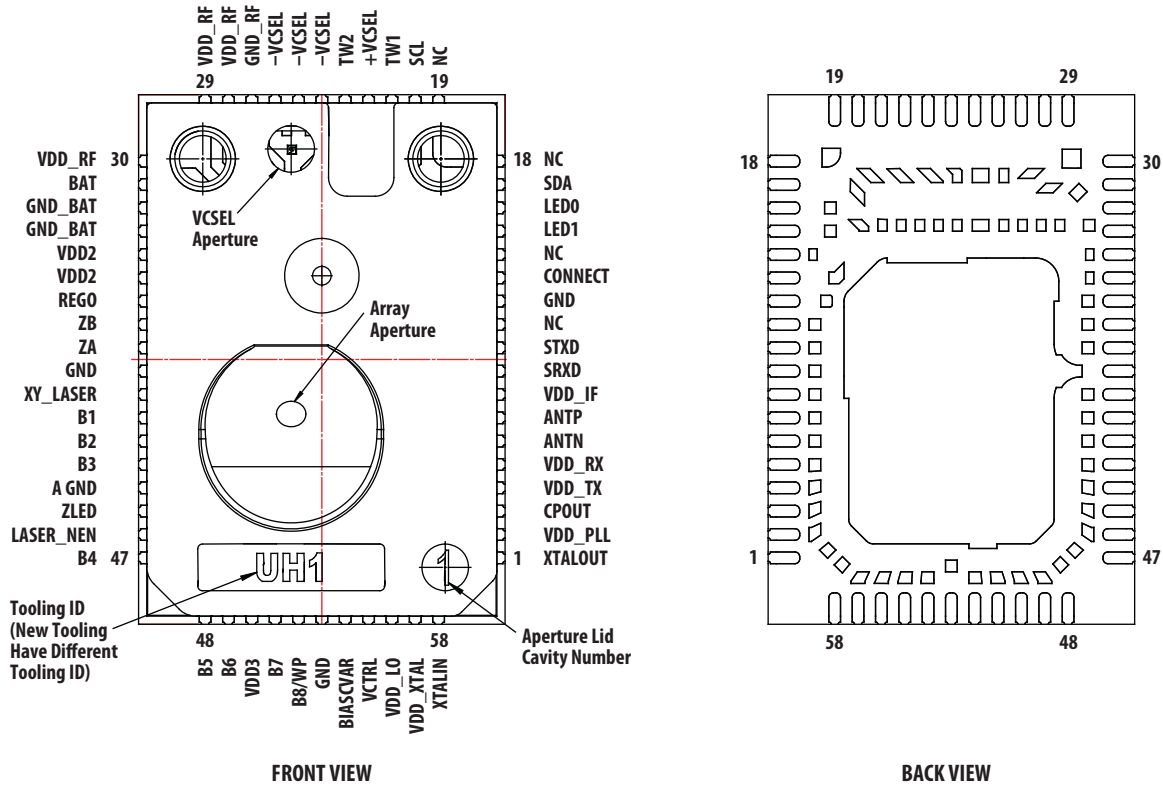


Figure 2. ADNS-7630 QFN Package Pinout

Table 1. ADNS-7630 Pinout Device Configuration

Pin	Name	Description	Type
1	XTAL_OUT	Crystal output	I/O
2	VDD_PLL	Power supply for frequency synthesizer	Power
3	CPOUT	Charge pump output pin for digital clock PLL	I/O
4	VDD_TX	Power supply for RF transmitter	Power
5	VDD_RX	Power supply for RF receiver	Power
6	ANTN	Negative port for antenna	I/O
7	ANTP	Positive port for antenna	I/O
8	VDD_IF	Power supply for IF	Power
9	SRXD	Serial Port transfer out to Host	I/O
10	STXD	Serial Port receive in from Host	I/O
11	NC	No Connect	-
12	GND	Ground	GND
13	CONNECT	Bluetooth Connect button	I/O
14	NC	No Connect	-
15	LED1 (GPIO6)	Bluetooth Connect Status / Battery LED Indicator	I/O
16	LED0 (GPIO5)	Bluetooth Connect Status / Battery LED Indicator	I/O
17	SDA	Serial Control Data to/from EEPROM	I/O
18	NC	No Connect	-
19	NC	No Connect	-
20	SCL	Serial Control Clock to/from EEPROM	I/O
21	TW1 (GPIO3)	Left Tilt Wheel / Programmable LED indicator	I/O
22	+VCSEL	Positive Terminal of VCSEL	Power
23	TW2 (GPIO4)	Right Tilt Wheel / Programmable LED indicator	I/O
24	-VCSEL	Negative Terminal of VCSEL	Power
25	-VCSEL	Negative Terminal of VCSEL	Power

Table 1. ADNS-7630 Pinout Device Configuration (continued)

Pin	Name	Description	Type
26	-VCSEL	Negative Terminal of VCSEL	Power
27	GND_RF	RF regulator GND	GND
28	VDD_RF	1.8V supply voltage to RF block	Power
29	VDD_RF	1.8V supply voltage to RF block	Power
30	VDD_RF	1.8V supply voltage to RF block	Power
31	BAT	Battery Voltage Monitor	I/O
32	GND_BAT	Battery Ground	GND
33	GND_BAT	Battery Ground	GND
34	VDD2	Power 2.1V input	Power
35	VDD2	Power 2.1V input	Power
36	REGO	Regulator Output	Power
37	ZB	Z-Wheel quadrature input	I/O
38	ZA	Z-Wheel quadrature input	I/O
39	GND	Ground	GND
40	XY_LASER	VCSEL current source	I/O
41	B1	Button 1 input (Left Button)	I/O
42	B2	Button 2 input (Middle Button)	I/O
43	B3	Button 3 input (Right Button)	I/O
44	AGND	Analog GND	GND
45	ZLED	Optical Z-Wheel IR LED input	I/O
46	LASER_NEN	Laser Enable (active low)	I/O
47	B4 (GPIO11)	Programmable Button 4 / LED input	I/O
48	B5 (GPIO12)	Programmable Button 5 / LED input	I/O
49	B6 (GPIO13)	Programmable Button 6 / LED input	I/O
50	VDD3	Power 3V input	Power
51	B7 (GPIO14)	Programmable Button 7 / LED input	I/O
52	B8/WP (GPIO15)	Programmable Button 8 / LED input / EEPROM Write Protect	I/O
53	GND	Ground	GND
54	BIASCVAR	Filter capacitor pin for VCO	I/O
55	VCTRL	VCO control signal	I/O
56	VDD_LO	Power supply for local oscillator	Power
57	VDD_XTAL	Power supply for crystal oscillator	Power
58	XTAL_IN	Crystal input	I/O

Disclaimer: All designers and manufacturers of this design must assure that they have all necessary intellectual property rights.

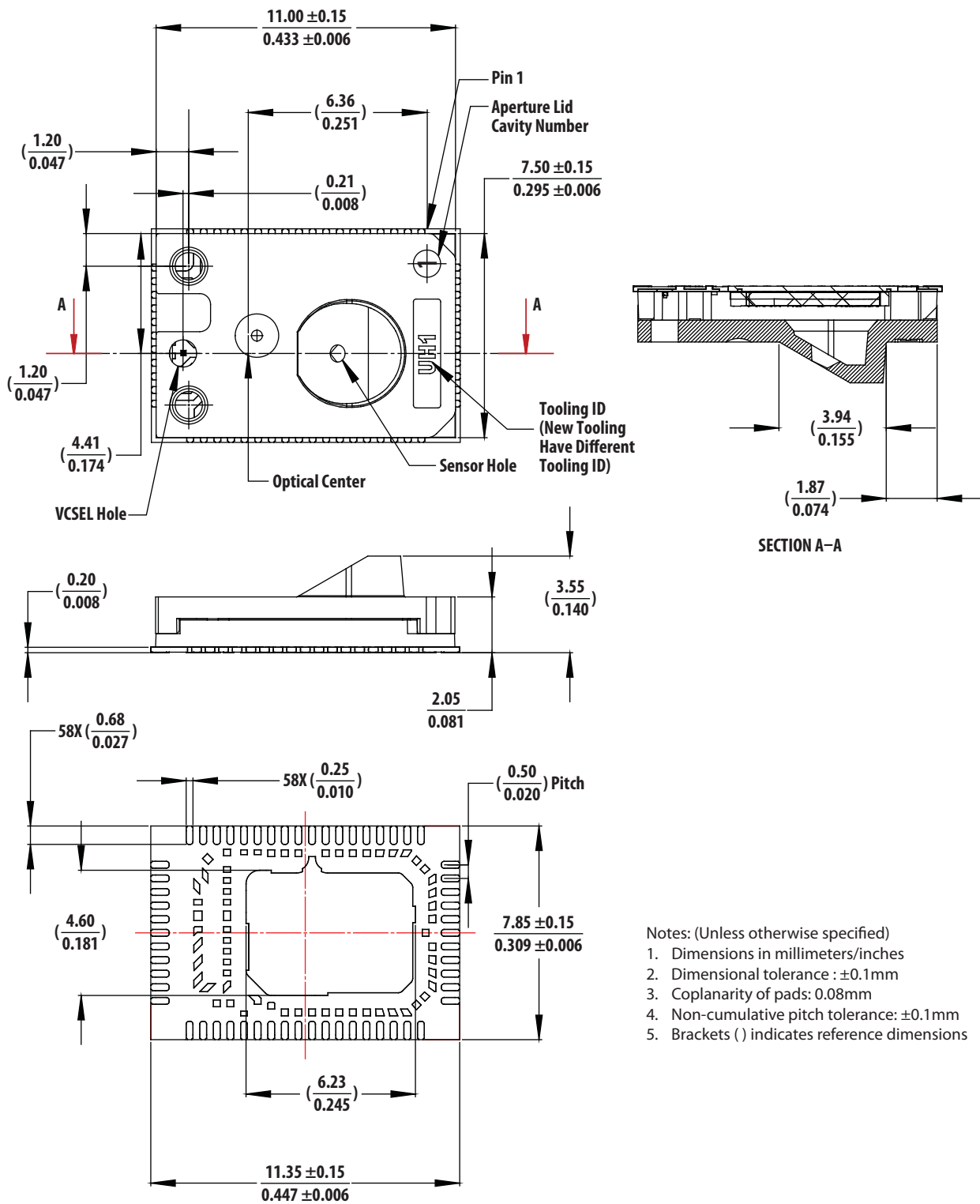
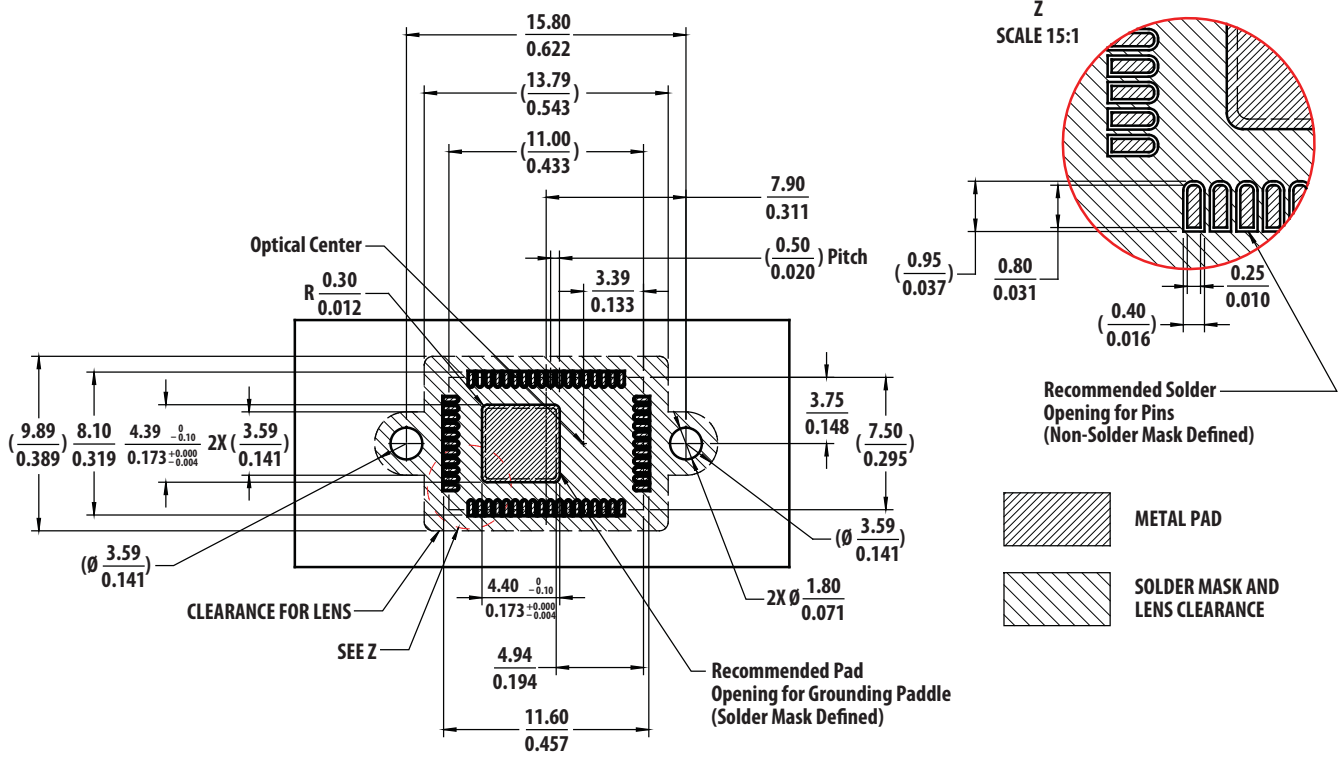


Figure 3. Package outline drawing

- Notes: (Unless otherwise specified)
1. Dimensions in millimeters/inches
 2. Dimensional tolerance : ± 0.1 mm
 3. Coplanarity of pads: 0.08 mm
 4. Non-cumulative pitch tolerance: ± 0.1 mm
 5. Brackets () indicates reference dimensions

CAUTION: It is advised that normal static precautions be taken in handling and assembly of this component to prevent damage and/or degradation which may be induced by ESD.



Note:
 1. Dimensions in millimeters/inches

Figure 4. Recommended PCB mechanical cutouts and spacing (Top view)

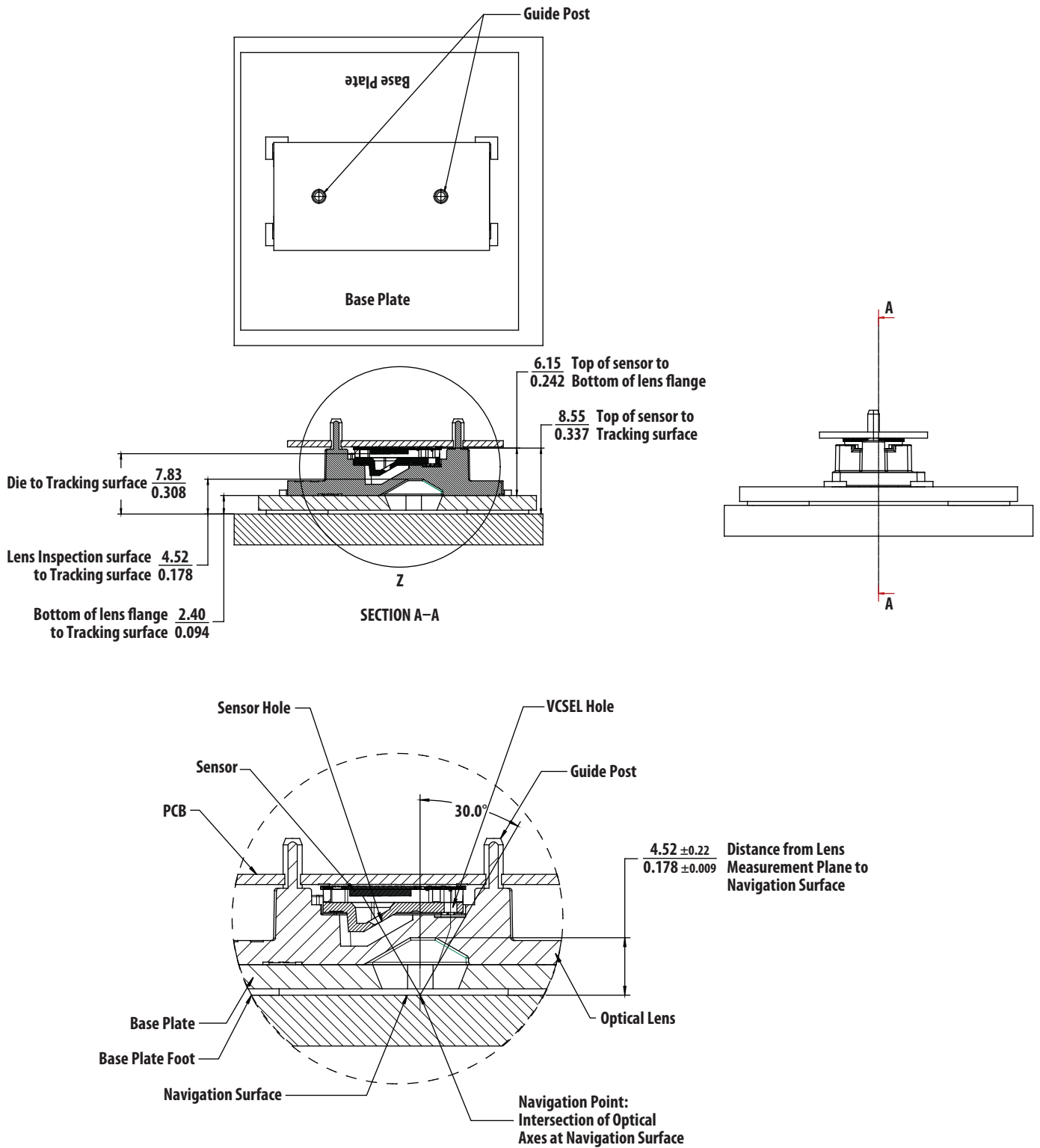


Figure 5. 2D assembly drawing of ADNS-7630 sensor coupled with ADNS-7100-001 lens, PCB & base plate

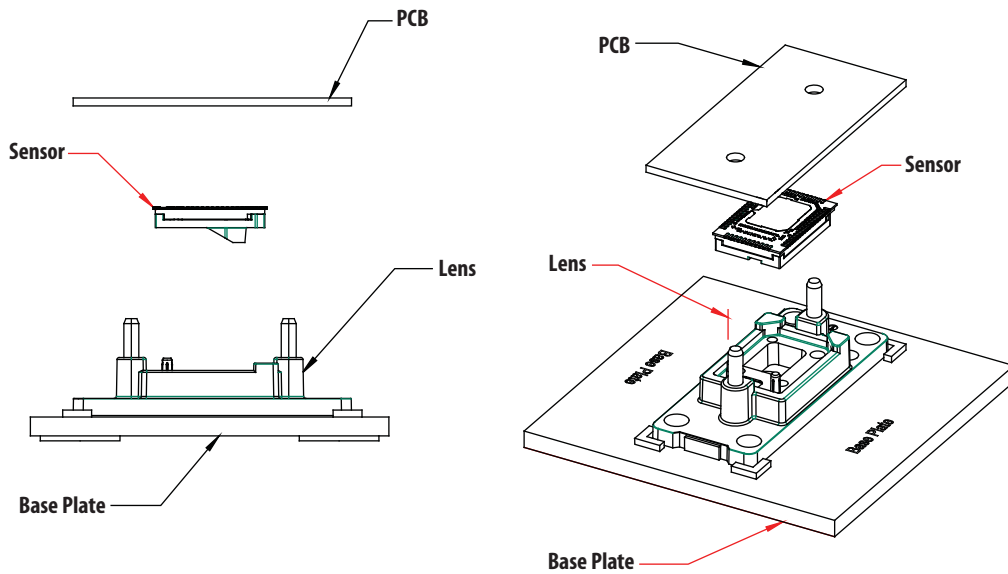


Figure 6. Exploded view drawing of ADNS-7630 sensor coupled with ADNS-7100-001 lens, PCB & base plate (front view and top side view)

As shown above, the components self align as they are mounted onto defined features on the base plate. There should be guide holes on the PCB to align the ADNS-7100-001 lens to the ADNS-7630 sensor's aperture stop. The ADNS-7630 sensor is designed for mounting on the bottom side of a PCB, looking down.

The integrated VCSEL is used for the illumination, provides a laser diode with a single longitudinal and a single transverse mode. Together with the VCSEL contained in the sensor package, the ADNS-7100-001 lens provides directed illumination and optical imaging necessary for the operation of the sensor. The lens is a precision molded optical component and should be handled with care to avoid scratching and contamination on the optical surfaces.

3D drawing files in STEP or IGES format for the sensor, lens and base plate describing the components and base plate molding features for the lens and PCB alignment is available.

Design considerations for improving ESD Performance

The table below shows typical values assuming base plate construction per the Avago Technologies supplied IGES file for ADNS-7100-001 lens. Note that the lens material is polycarbonate and therefore, cyanoacrylate based adhesives should not be used as they will cause lens material deformation.

Typical Distance	Millimeters (mm)
Creepage	11.87
Clearance	10.05

PCB Assembly Considerations and Soldering Profile

1. Prior to PCB assembly, handling precaution must be taken for ADNS-7630 sensor that is classified as MSL-3. (For more information, please refer to IPC/JEDEC J-STD-033B.1: Handling, Packing, Shipping and Use of Moisture/Reflow Sensitive Surface Mount Devices)
2. Surface-mount the sensor package and all other electrical components onto PCB.
3. Reflow the entire assembly with a no-wash solder flux process (refer to Figure 7 below).
4. Remove the protective kapton tapes from both optical apertures on the ADNS-7630 sensor by using flat-headed tweezers. Care must be taken to keep contaminants from entering the aperture. Recommend not to place the PCB facing up during the entire assembly process. Recommend to hold the PCB vertically for the kapton tapes removal process.
5. Place the PCB over the lens onto base plate. The sensor package should be self-aligned to the lens. The optical center reference for the PCB is set by base plate and lens. Note that the PCB movement due to button presses must be minimized to maintain good optical alignment.
6. Recommended: The lens can be permanently located by heat-staking or ultrasonic-staking the lens' guide posts over the PCB board.
7. Then, install the mouse top case. There MUST be feature in the top case (or other area) to press down onto the PCB assembly to ensure the sensor and lens are interlocked to correct vertical height.

Refer to Figure 7 and Table 2 for the recommended solder reflow profile for PCB using Pb-free solder paste LF310.

Table 2. Recommended Solder Reflow Profile

Description	Specification
Max Ramp-Up Rate,	3°C/sec
Max Ramp-Down Rate,	6°C /sec
Preheat temperature minimum, T_{smin}	150°C
Preheat temperature maximum, T_{smax}	200°C
Preheat Duration(T_{smin} to T_{smax}), t_s	60-120 sec
Liquidus Temperature, T_L	220°C
Time Above Reflow ($T_L=220^\circ\text{C}$), t	30-90 sec
Peak Temperature, T_p	250°C
Time within 5°C of the specified classification temperature ($T_c=250^\circ\text{C}$), t_p	10 sec
Time 25°C to peak temperature	8 mins maximum

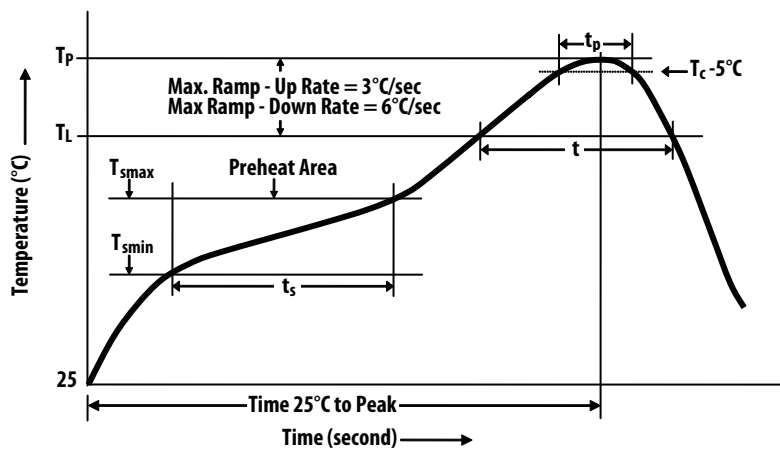


Figure 7. Solder Reflow Profile for PCB

Critical and Non-critical Areas of QFN Soldering

As ADNS-7630 is a QFN package, it is designed to be a contact-down package. Refer to Figure 7 and 8 on the critical and non-critical areas for QFN soldering. The critical area for soldering ADNS-7630 is on the terminal undersides, while the terminal sides are deemed as non-critical area, and thus not intended to be wettable. The non-wetting

of the terminal sides are due to exposed copper on the package side (which is expected and accepted), occurred after the singulation step, which is a standard process in QFN assembly. This is inline with the Industry Standard (for more information, please refer to IPC-A-610D: Acceptability of Electronics Assemblies).

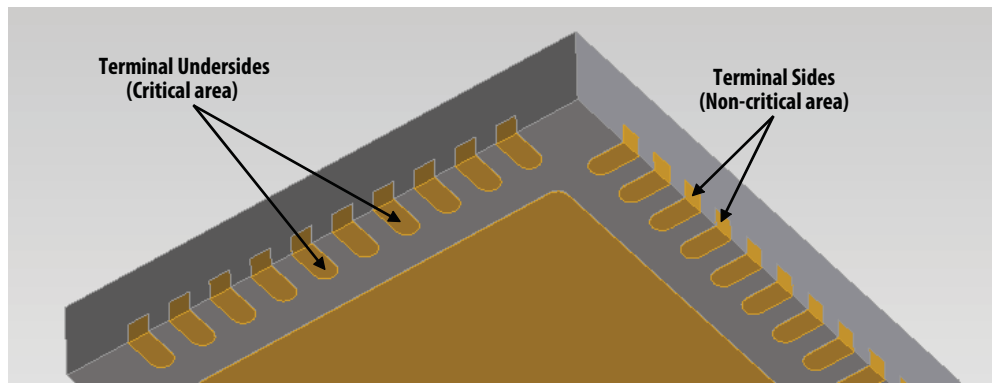


Figure 8. Critical and Non-critical areas (Bottom view)

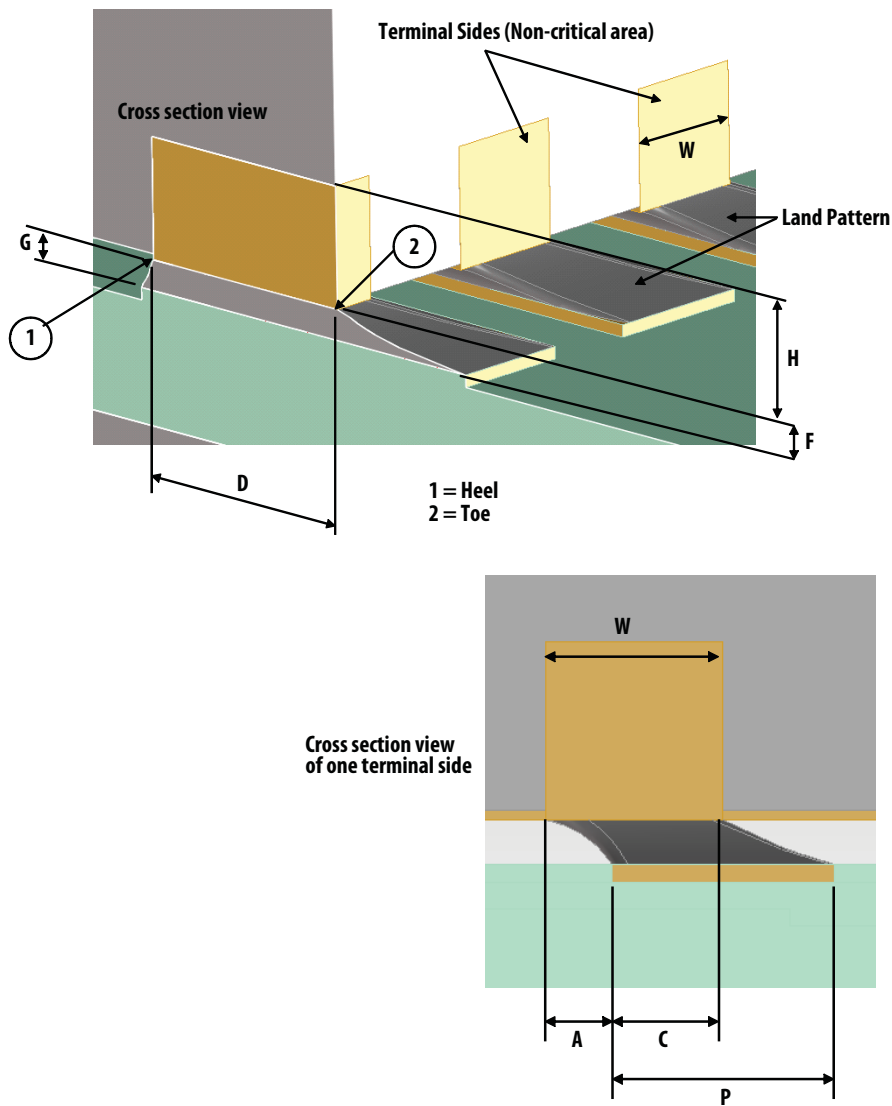


Figure 9. Critical and Non-critical areas (Cross sectional views)

Table 3. Dimensional Criteria

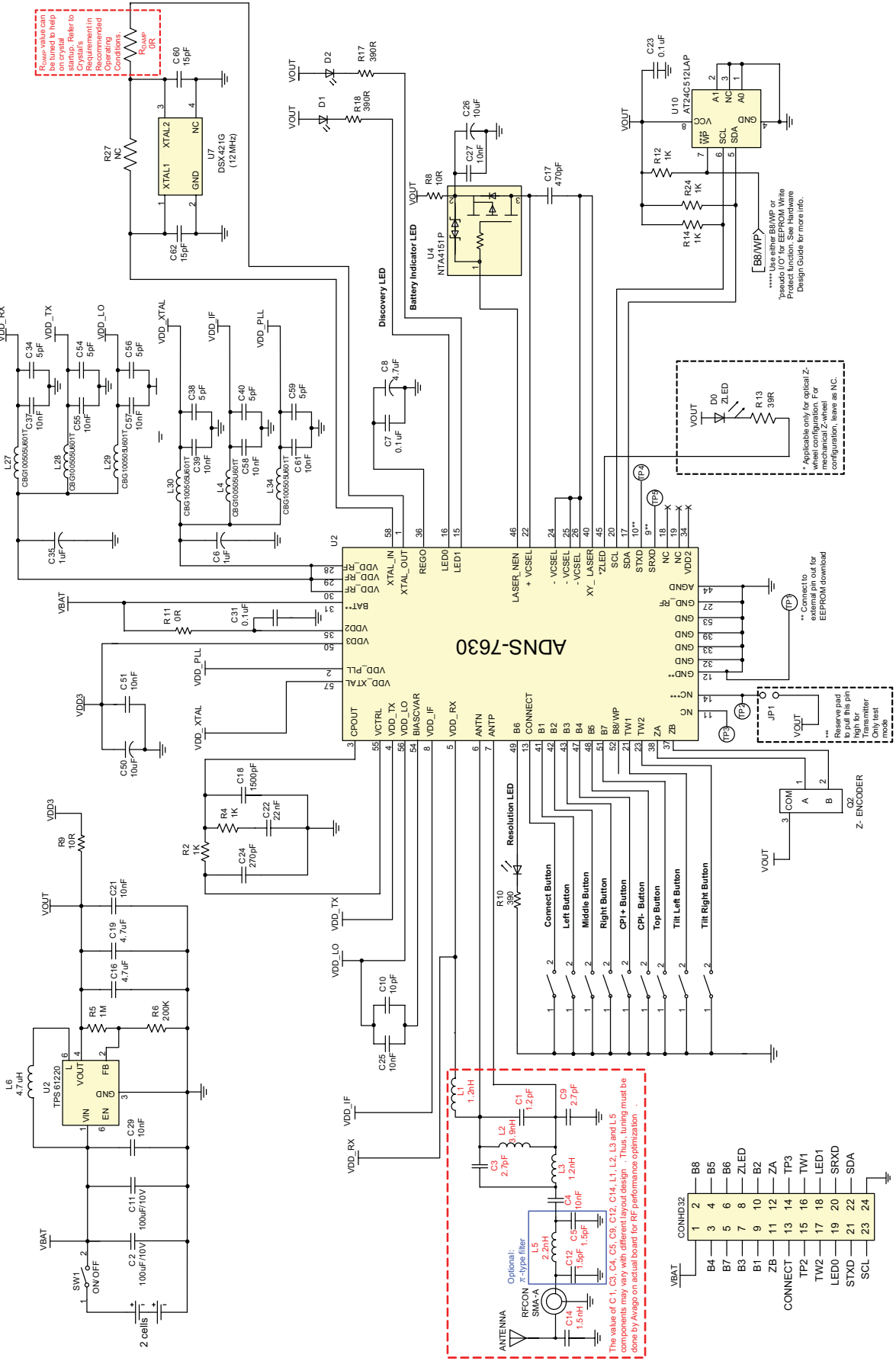
Feature	Dimension	Class 1	Class 2	Class 3
Maximum Side Overhang	A	50% W, Note 1	25% W, Note 1	25% W, Note 1
Minimum End Joint Width	C	50% W	75% W	75% W
Minimum Side Joint Length	D	Note 4	Note 4	Note 4
Minimum Fillet Height	F	Notes 2, 5	Notes 2, 5	Notes 2, 5
Solder Fillet Thickness	G	Note 3	Note 3	Note 3
Termination Height	H	Note 5	Note 5	Note 5

Notes:

1. Should not violate minimum electrical clearance.
2. Unspecified parameter. Variable in size as determined by design.
3. Good wetting is evident.
4. Is not a visual attribute for inspection.
5. Terminal sides are not required to be solderable. Toe fillets are not required.

All data and information is provided to and as a reference in the application of Avago Technologies' product, but the responsibility for proper design of printed circuit SMT process design still lies with the SMT assembly company. Avago Technologies has no liability for customer's design.

Application Schematic



Note: Due to complexity of RF board design, technical assistance on the PCB layout design and RF performance buy off is provided. Please contact Avago Technologies' sales representative during design stage.

Figure 10. ADNS-7630 Application Schematic

PCB Layout Requirements:

1. Recommended to use 4-layer PCB board, with second layer as GND plane and third layer as power plane.
2. Cut the copper beneath the antenna pattern on the GND plane, power layer and the bottom layer; no signal line is allowed beneath the antenna pattern at all of the layers. Antenna pattern is highly recommended to be located at one of the board edges, furthest away from palm coverage.
3. Keeping any metallic objects (eg. Battery terminal plates) at least 15mm away from the antenna as this is the distance of the near field for electromagnetic field.
4. Power lines should be thick and short. Big via holes are recommended whenever needed.
5. C37 and C34, C55 and C54, C57 and C56, should be placed as near as possible to pin 5, pin 4 and pin 56 respectively for effective decoupling.
6. C39 and C38, C61 and C59, C58 and C40, should be placed as near as possible to pin 57, pin 2 and pin 8 respectively for effective decoupling.
7. The ground pad beneath the centre of the ADNS-7630 QFN package should have sufficient via holes down to the same ground plane (2nd layer of the PCB). Use solder mask to prevent any unwanted short circuit. Prepare necessary area of solder pads only.
8. Components connected to CPOUT (pin 3) and VCTRL (pin 55) must as close as possible to ADNS-7630 IC. It is recommended to complete the loop within the same PCB layer.
9. Keep sufficient clearance between RF Trace class_1 (from pin ANTEN to Antenna) and Ground copper (if applicable) on the top side 3 times larger than h (height of top layer to GND layer); the same requirement is needed for RF Trace class_2 (from pin ANTP to Antenna) and Ground copper (if applicable). Keep a clearance between VDD_RX (pin 5) and ANTEN (pin 6) traces, as well as between ANTP (pin 7) and VDD_IF (pin 8) traces.
10. Keep ANTEN and ANTP traces (from IC to antenna) parallel, short and as straight as possible without many curves. Recommended to have differential impedance between ANTEN and ANTP to be 100Ω, and unbalanced trace (from C4 to ANTENNA) impedance controlled to 50Ω.
11. Keep a clearance between antenna and ground.
12. Ensure large grounding plane and more via holes at GND (pin 27, pin 32 and pin 33) down to the ground plane (2nd layer of the PCB).
13. Components connected to the pins below MUST complete the loop within the same PCB layer (no usage via holes allowed).
 - a. BIASVAR (pin 54)
 - b. REGO (pin 36)
 - c. VDD3 (pin 31, 35, 50)
14. C17 must be as close as possible to the ADNS-7630 IC.
15. All separate AGND, GND_RF and GND paths MUST be via down to the same ground plane (2nd layer of the PCB). Ensure large grounding plane on the PCB layout for better performance on ESD and EFTB.
16. All caps MUST be as close to the power pins as possible, with the smaller capacitors nearer to the ADNS-7630 IC.
17. Frequency tolerance of crystal oscillator should follow the specification of +/- 20PPM. Recommended to use TST TZ0683B 12MHz crystal. Crystal should be placed less than 10mm (must not be more than 15mm) from ADNS-7630 XTALIN and XTALOUT pins.
18. Ceramic non-polarity caps and tantalum polarity capacitors are recommended.
19. Capacitors connected to VDD3 MUST have less than 0.2Ω ESR.
20. It is optional but highly recommended for customers to route some signals to a 2mm pin header (only to be soldered when troubleshooting is needed) on the mouse board to ease Avago's technical support in future. Refer to Design Guide – Hardware for more information.
21. Ensure that no component is placed at the lens clearance area as shown in Figure 4 so that the lens is interlocked to the PCB at the correct vertical height.
22. Add an optional π -type filter at antenna circuit to suppress 4.8G/7.2GHz harmonics.

*Disclaimer: All designers and manufacturers of this design must assure that they have all necessary intellectual property rights.

Block Diagram

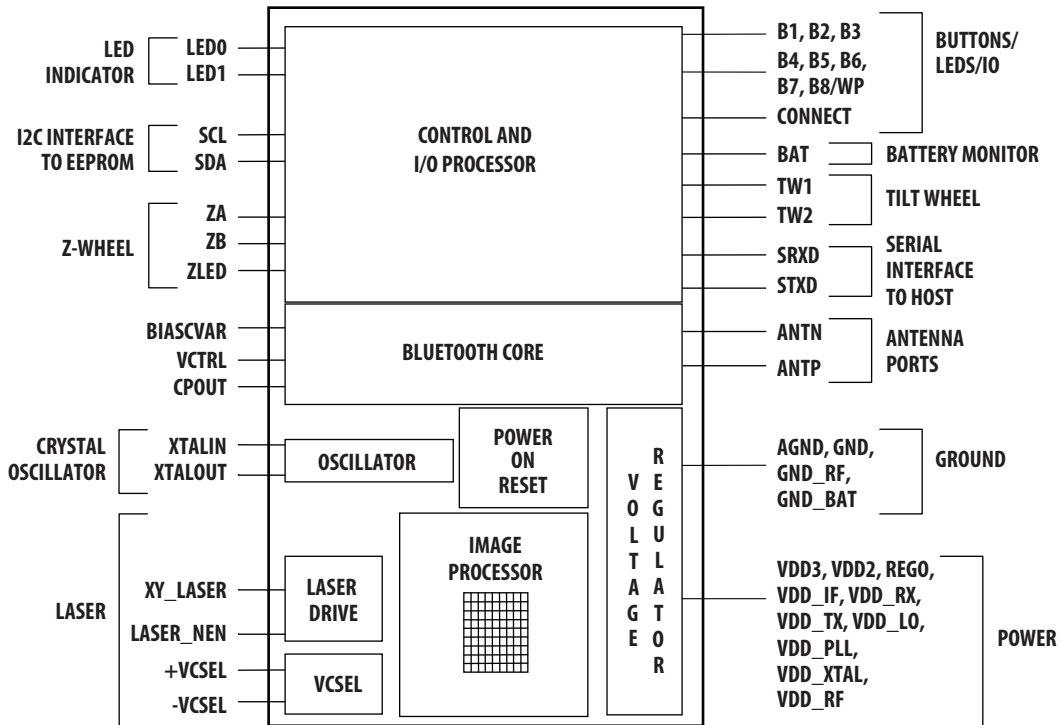


Figure 11. ADNS-7630 Block Diagram

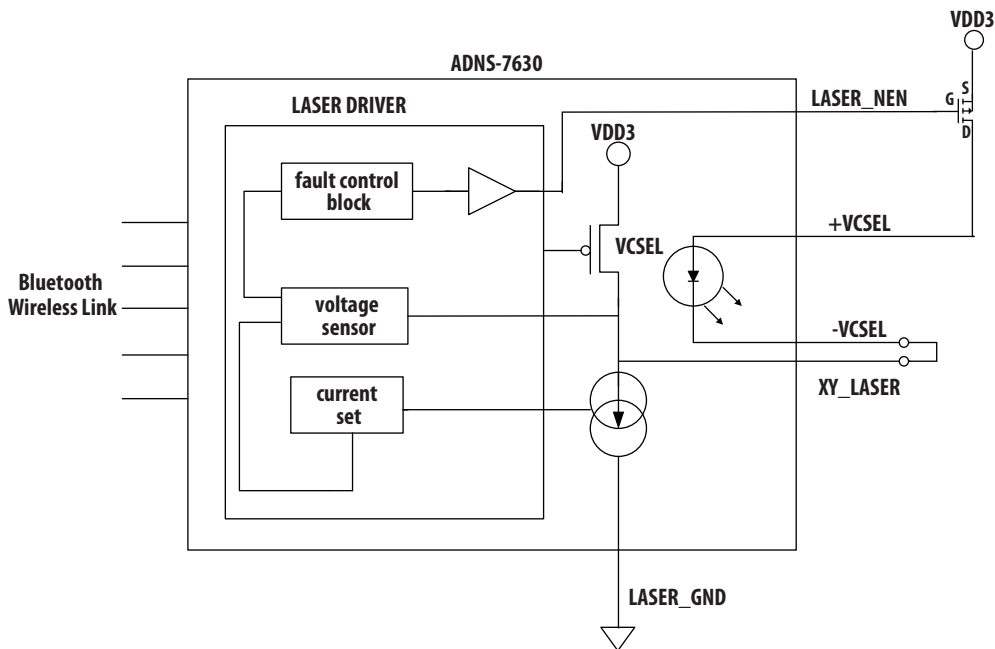


Figure 12. Single Fault Detection and Eye Safety Feature

Eye Safety

ADNS-7630 SoC sensor and the associated components in the schematic of Figure 9 are intended to comply with Class 1 Eye Safety requirements of IEC/EN 60825-1. Avago Technologies pre-calibrate sensor laser output power (LOP) to Class 1 eye safety level prior shipping out, thus no laser output power calibration is required at mouse manufacturer site.

ADNS-7630 SoC sensor is designed to maintain the laser output power using ADNS-7100-001 lens within Class 1 requirements over components manufacturing tolerances under the recommended operating conditions and application circuit of Figure 9 as specified in this document. Under normal operating conditions, the sensor generates the drive current for the VCSEL. For more information, please refer to Eye Safety Application Note.

Single Fault Detection

ADNS-7630 SoC sensor is able to detect a short circuit or fault condition at the -VCSEL pin, which could lead to excessive laser power output. A path to ground on this pin will trigger the fault detection circuit, which will turn off the laser drive current source and set the LASER_NEN output high. The system will prevent excess laser power

for a resistive path to ground at -VCSEL by shutting off the laser. In addition to the ground path fault detection described above, the fault detection circuit is continuously checking for proper operation by internally generating a path to ground with the laser turned off via LASER_NEN. If the -VCSEL pin is shorted internally to VDD3, this test will fail and will be reported as a fault.

Regulatory Requirements

- Passes FCC C and worldwide analogous emission limits when assembled into a mouse and following Avago Technologies recommendations.
- Passes IEC-61000-4-2 Electrostatic Discharge Immunity Test (ESD) and provides sufficient ESD creepage/clearance distance to withstand up to 15 kV discharge when assembled into a mouse with ADNS-7100-001 trim lens.
- Passes IEC/EN 60825-1 Class 1 Eye Safety when ADNS-7630 is driving the laser using ADNS-7100-001 lens with the laser output power pre-calibrated by Avago Technologies under recommended operating conditions.

Absolute Maximum Ratings

Parameter	Symbol	Minimum	Maximum	Units	Notes
Storage Temperature	T _S	-40	85	°C	MSL 3 level
Lead Solder Temperature	T _p		260	°C	MSL 3 level refer to Solder Reflow Profile in Figure 7
Power Supply Voltage	V _{DD21}	-0.5	3.7	V	
	V _{DD3}	-0.5	3.7	V	
	V _{DD_RF}	-0.5	2.1	V	
ESD (Human body model) ^{1,2}			2	kV	All Pins.
Input Voltage	V _{IN}	-0.5	V _{DDIO} + 0.5	V	All I/O Pins
Latch-up Current	I _{OUT}		20	mA	All Pins
Laser Output Power	LOP _{max}		716	μW	Class 1 Eye Safety Limit

Notes:

1. Stresses greater than those listed under "Absolute Maximum Ratings" may cause permanent damage to the device. These are the stress ratings only and functional operation of the device at these or any other condition beyond those indicated for extended period of time may affect device reliability.
2. The inherent design of this component causes it to be sensitive to electrostatic discharge. The ESD threshold is listed above. To prevent ESD-induced damage, take adequate ESD precautions when handling this product

Recommended Operating Conditions

Parameter	Symbol	Minimum	Typical	Maximum	Units	Notes
Operating Temperature	T_A	0		40	°C	
Power Supply Voltage	V_{DD21}	2.1	2.8	3.6	V	For digital core. Including noise.
	V_{DD3}	2.7	2.8	3.6	V	For sensor core. Including noise.
RF Regulator Output Voltage	V_{DD_RF}	1.7	1.8	1.9	V	For RF Core. Output from REG0 & V_{DD_RF}
Power Supply Rise Time	V_{RT}	2		100	ms	V_{DD21} is tied to V_{DD3} and ramp from 0 to 2.8V
Latch-Up Current			10		mA	All pins
Supply Noise (Sinusoidal)	V_{NA}			80	mV _{p-p}	With RC filter (10Ω+10uF) for 10kHz~50MHz Except 25kHz~35kHz that max is 35mVp-p Without RC filter will degrade Carrier Drift
Distance From Lens Reference Plane To Surface	Z	2.18	2.40	2.62	mm	Results in +/- 0.22 mm minimum DOF. See Figure 13
Speed	S			30	in/sec	
Acceleration	A			8	g	
Vcsel Peak Wavelength	λ	832		865	nm	
Laser Output Power	LOP			506	μW	Under operating temperature, 25°C± 5°C. Class 1 eye safety level when ADNS-7630 is driving the laser using ADNS-7100-001 lens based on application circuit in Figure 10

Crystal's Requirement	Symbol	Minimum	Typical	Maximum	Units	Notes
Nominal Frequency	F_{CLK}		12		MHz	±20ppm
Equivalent Series Resistor (ESR)	X_{RES}			100	Ω	
Shunt Capacitance	C_O		3	7	pF	
Load Capacitance	CL			12	pF	
Drive Level	P_{DL}	10		50	μW	
Damping Resistor	R_{DAMP}	0		18	Ω	See Figure 10 on R_{DAMP} connection and Figure 14 to fine tune the R_{DAMP} value to match with the drive level of crystal used.
Clock Ready Time	T_{XAL_RDY}			2	ms	See Figure 14

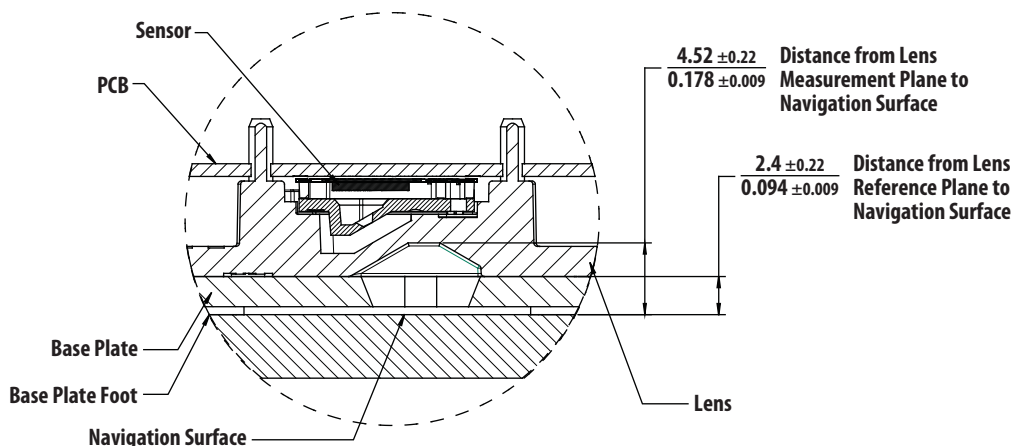


Figure 13. Distance from lens reference plane to object surface, Z

AC Electrical Specifications

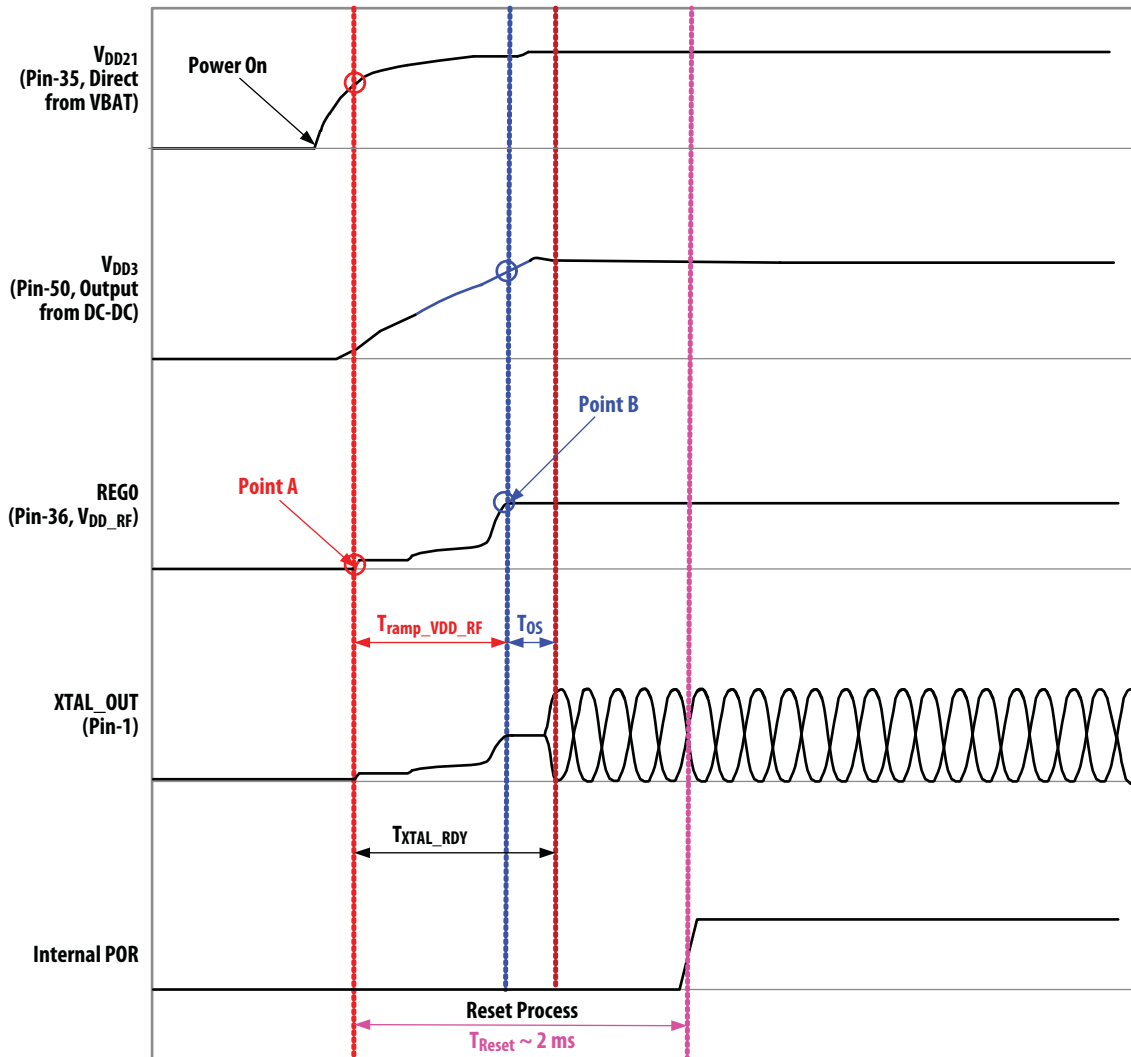
Electrical Characteristics over recommended operating conditions. Typical values at 25 °C, $V_{DD21} = 2.8V$, $V_{DD3} = 2.8V$

Parameter	Symbol	Minimum	Typical	Maximum	Units	Notes
Debounce delay on button inputs	t_{DBB}		6	7.9	ms	
Scroll wheel sampling period	t_{SW}	1.9	2.0	2.8	ms	ZA & ZB Pins.
Transient Supply Current	I_{DDT}			100	mA	V_{DD21} is tied to V_{DD3} . Max supply current during a ramp from 0 to 2.8V

DC Electrical Specifications

Electrical Characteristics over recommended operating conditions. Typical values at 25 °C, $V_{DD21} = 2.8V$, $V_{DD3} = 2.8V$

Parameter	Symbol	Minimum	Typical	Maximum	Units	Notes
Tx Current	I_{Tx}		53	57.5	mA	Transmitter and baseband are fully ON, navigation core is OFF. Buttons and I/Os are floating, LED pins pull to low
Rx Current	I_{Rx}		47	51	mA	Receiver and baseband are fully ON, navigation core is OFF. Buttons and I/Os are floating, LED pins pull to low
DM1 Tx mode Current	I_{DM1_Tx}		24.7		mA	RF sends a longest DM1 packet every 1.25ms
DM1 Rx mode Current	I_{DM1_Rx}		24.2		mA	RF receives a longest DM1 packet every 1.25ms
Sniff mode 11.25ms Current	$I_{sniff_11.25ms}$		10	12	mA	System average current includes VCSEL current. Sniff_TimeOut = 0, Sniff_Attempt = 1
Sniff mode 67.5ms Current	$I_{sniff_67.5ms}$		1.4	2	mA	System average current includes VCSEL current.
Sniff mode 300ms Current	I_{sniff_300ms}		0.335	0.785	mA	System average current includes VCSEL current.
Deep Sleep Current	I_{DSleep}		110	280	μA	Disconnected, wake on sensor motion. State preserved.
			80	250	μA	Disconnected, wake on button clicked. State preserved.
Input Hysteresis	V_{HYST}		285		mV	Pins: B1-B8, TW1, TW2
Button Pull-up Current	I_{PULLUP}	100	300	500	μA	Pins: B1-B8, TW1, TW2
Input Low Voltage	V_{IL}			$0.2 * V_{DD3}$	V	Pins: B1-B8, TW1, TW2, ZA, ZB
Input High Voltage	V_{IH}	$0.8 * V_{DD3}$			V	Pins: B1-B8, TW1, TW2, ZA, ZB
Input Leakage Current	I_{leak}		± 1	± 10	μA	$V_{in} = 0.7 * V_{DD3}$
Output Low Voltage, LASER_NEN	V_{OL}			$0.2 * V_{DD3}$	V	Iout= 1mA, LASER_NEN
Output High Voltage, LASER_NEN	V_{OH}	$0.8 * V_{DD3}$			V	Iout= -0.5mA, LASER_NEN
Input Capacitance	C_{in}			10	pF	



Notes:

1. Point A = Ramp start point of REG0/VDD_RF that triggers internal reset process.
2. Point B = Stable point of REG0/VDD_RF that crystal will start its oscillation.
3. $T_{ramp_VDD_RF}$ = Ramp up time of REG0/VDD_RF.
4. T_{OS} = Crystal startup time. Depends on crystal's drive level and load capacitance.
5. T_{Reset} = ADNS-7630's internal Power On Reset (POR) process duration.
6. $T_{XTAL_RDY} < T_{Reset}$.

Figure 14. Power-Up Timing Diagram

Receiver RF Specifications

Electrical Characteristics over recommended operating conditions based on Avago Technologies' ADNK-7633 reference design mouse. Typical values at 25 °C, $V_{DD21} = 2.8V$, $V_{DD3} = 2.8V$

Parameter	Minimum	Typical	Maximum	Units	Mode and Conditions
Receiver Section					
RX sensitivity	-90	-85	-80	dBm	GFSK, 0.1%BER, 1 Mbps
Maximum input power	-20	-10		dBm	
Interference Performance					
C/I co-channel		7.5	11	dB	GFSK, 0.1%BER
C/I 1MHz adjacent channel		-3.5	0	dB	GFSK, 0.1%BER
C/I 2MHz adjacent channel		-31	-30	dB	GFSK, 0.1%BER
C/I \geq 3MHz adjacent channel		-41	-40	dB	GFSK, 0.1%BER
C/I Image channel		-39	-9	dB	GFSK, 0.1%BER
C/I 1MHz adjacent to image channel		-37	-20	dB	GFSK, 0.1%BER
Out-of-Band Blocking Performance (CW)					
30 MHz to 2000 MHz	-10			dBm	0.1% BER
2000 MHz to 2400 MHz	-27			dBm	0.1% BER
2500 MHz to 3000 MHz	-27			dBm	0.1% BER
3000 MHz to 12.75 GHz	-10			dBm	0.1% BER
Intermodulation Performance					
BT, Delta F = 3MHz	-39	-36		dBm	
Spurious Emission					
30 MHz to 1 GHz		-77	-57	dBm	
1 GHz to 12.75 GHz		-64	-47	dBm	

Transmitter RF Specifications

Electrical Characteristics over recommended operating conditions based on Avago Technologies' ADNK-7633 reference design mouse. Typical values at 25 °C, $V_{DD21} = 2.8V$, $V_{DD3} = 2.8V$

Parameter	Minimum	Typical	Maximum	Units	Notes
Transmitter Section					
Spectrum frequency range	2400		2483.5	MHz	
Output power	-6	0	4	dBm	
In-Band Spurious Emission					
+/-500 kHz			-20	dBc	
Out-of-Band Spurious Emission					
30 MHz to 1 GHz		-60	-36	dBm	
1 GHz to 12.75 GHz			-30	dBm	
1.8 GHz to 1.9 GHz		-80	-47	dBm	
5.15 GHz to 5.3 GHz		-90	-47	dBm	
Lo Performance					
Lock time		130	180	μ s	
Initial carrier frequency tolerance		± 25	± 75	kHz	
Frequency Drift					
DM1 packet		± 20	± 25	kHz	
DH1 packet		± 20	± 25	kHz	
Drift rate		10	20	kHz/50 μ s	
Frequency Deviation					
Average deviation in payload (sequence used is 00001111)	140	168	175	kHz	
Maximum deviation in payload (sequence used is 10101010)	115			kHz	
Channel spacing		1		MHz	

Z-Wheel

ADNS-7630 can support both mechanical and optical Z-wheel design. Selection of Mechanical or Optical Z-Wheel interface can be set from EEPROM Z_Selection register (0x0137). The Z-Wheel reporting format which determines the vertical scroll resolution can be configured to Z/2 or Z/4 format when using different sensitivity optical Z-Wheel via EEPROM Z_Configuration register (0x0138). For mechanical Z-Wheel, Z/2 format is widely used as most of the commonly available mechanical Z-Wheel encoders come with low sensitivity. Optical Z-Wheel can utilize either the Z/2 or Z/4 format according to the desired sensitivity. Z_Negate (0x0139) enables correct Z-Wheel orientation in case ZA and ZB are swapped.

For mechanical Z-Wheel design, only ZA and ZB pins are connected to the physical mechanical encoder. ZLED pins should be floated (No Connect). For optical Z-Wheel design, connect all ZA, ZB and ZLED pins appropriately to the physical optical encoder system.

The direction of the Z-Wheel (positive or negative) based upon the Z-Wheel's quadrature output is shown in the state diagram below. State is shown in the form ZB ZA. Z-Wheel counts are reported only for transitions with + or - signs.

Tilt-Wheel

ADNS-7630 can support Tilt Wheel function via TW1 and TW2 pins by activating it through EEPROM register Tilt_Wheel_Enabled (0x0114). For applications without Tilt-Wheel, TW1 (GPIO3) and TW2 (GPIO4) pins can be configured as LED GPIO via the same register above.

Disclaimer: All designers and manufacturers of final product with tilt wheel enabled must assure that they have all necessary intellectual property rights.

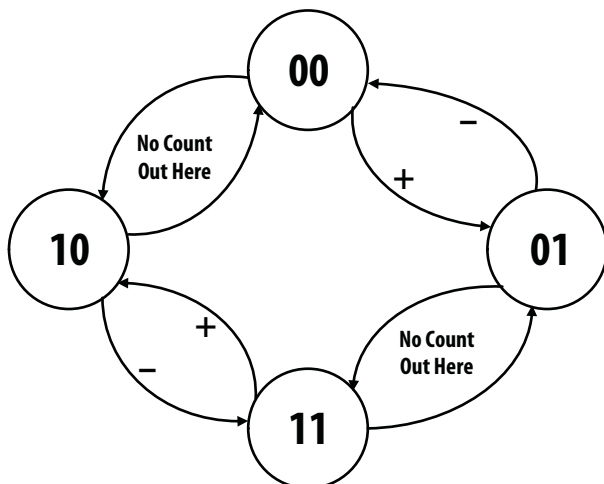


Figure 15. State Diagram for Z-Wheel

Connect Button

It is a must to have a "Connect" button in a Bluetooth mouse design to enable end users to initiate pairing/unpairing with any Bluetooth host. Connect_Button_Press_Duration register (0x00a4-0x00a5) allows mouse manufacturers to define duration needed for the "Connect" button to be held for a valid button pressed.

Connect "Connect" button to CONNECT pin (pin 13) for this feature.

Discover LED Indicator

It is highly recommended for mouse manufacturers to include a discover LED indicator in a Bluetooth mouse design as it enables end users to know if the mouse has entered discoverable mode successfully. See registers 0x0115-0x0119 to enable/disable discover LED support, to assign GPIO pin to be used, to define GPIO state to turn on the discover LED as well as the LED's duty cycle.

Connect the physical discover LED to LED0 (GPIO5) pin or LED1 (GPIO6) pin for this feature.

Battery LED Indicator

It is highly recommended for mouse manufacturers to include a battery LED indicator in a Bluetooth mouse design as it alerts end users when the battery power is running low, and also to remind end users to change the batteries. See registers 0x011a-0x011e, 0x0238-0x023d and 0x248 for the following configuration:

- enable/disable battery LED support
- assign GPIO pin to be used
- define GPIO state to turn on the battery LED, the LED's duty cycle, the blink/rest duration, active sniff modes and total duration
- define whether the LED is disabled before connection is established.

Connect the physical battery LED to LED0 (GPIO5) pin or LED1 (GPIO6) pin for this feature.

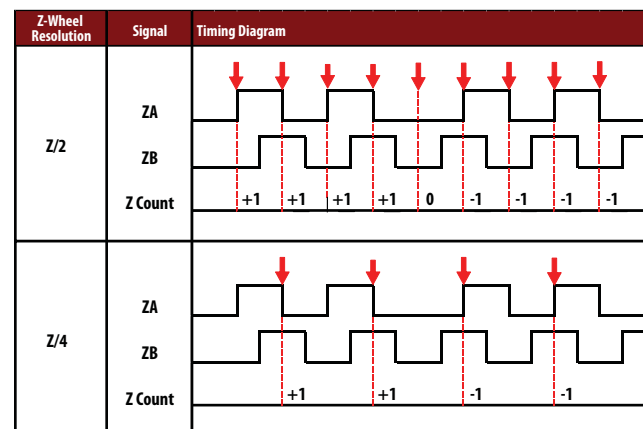


Figure 16. Timing Diagram for Z/2 and Z/4 settings

Basic Buttons & Programmable Buttons

There are a total of 3 basic buttons supported by ADNS-7630, namely B1 (left button), B2 (middle button) and B3 (right button). B4 (GPIO11) through B8/WP (GPIO15) are General Purpose Input/Output pins programmable to be buttons, LED indicator, or EEPROM write protect enabler. Access EEPROM register, Programmable_Buttons_Total (0x00d1) to define the total number of programmable buttons to be used in the mouse design. For all available programmable buttons, manufacturer can assign each button to a GPIO pin, as well as its function when the button is clicked once, double clicked or pressed for a specified duration.

Buttons, B1 through B8, TW1 and TW2 are connected to a Schmidt trigger input with 100 μ A current sources pulling up to +3V during run and rest modes. When used as buttons, the minimum time between button presses is T_{DBB} . T_{DBB} is programmable via the EEPROM (0x021e). The buttons are sampled every 4ms (default), typically. Five consecutive low values create a button press event. Five consecutive high values create a button release event. This is applicable to all single button click function.

ADNS-7630 also support double-click and button long-press features. The double click interval and long-press duration of each programmable button is configurable via EEPROM registers. However, button double click is functional only if SPP is disabled. Long-press duration should be programmed significantly longer than the single click duration so that end users will not be confused between single click and long press functions.

To define explicit functions single click, double click and long press functions for each programmable buttons, manufacturers can either assign the On-the-Fly (OTF) Resolution Mode or KeyMap (KM) feature through Keyboard Code A and Keyboard Code B. Refer to next section on detail description on KeyMap and On-the-Fly (OTF) Resolution Mode implementation.

On-the-Fly (OTF) Resolution Mode

The ADNS-7630 sensor is enhanced with programmable On-the-Fly (OTF) resolution mode, in which user is able to switch resolution setting anytime with OTF button single click, double click or long press. Any two available GPIOs between GPIO11-GPIO15 can be used to configure as the OTF resolution buttons. There are two types of OTF resolution mode:

- a. Step by step increment or decrement using CPI+ and CPI- buttons:

This method requires two GPIOs namely CPI+ and CPI- programmable buttons to increase or decrease the resolution setting step by step. There is a maximum of 10 resolution settings which can be enabled through EEPROM. If the current resolution setting is either in maximum or minimum level, any new button press will remain at the respective maximum or minimum level.

- b. Rotational state change using CPI rotation button:

This method requires only one GPIO to be programmed as CPI rotation button for incremental state change of resolution settings as configured in EEPROM. There is a maximum of 10 resolutions which can be enabled through EEPROM.

This OTF Resolution Mode can be enabled or disabled through EEPROM register Resolution_Selection_Method (0x0141). The OTF resolution mode types, step by step increment or decrement or rotational state change can be configured through SingleClick, LongPress or DoubleClick function in Button Configuration.

Mouse manufacturers can limit the total possible resolution settings to maximum of ten via EEPROM Resolution_Selection_Total register (0x0142). To define all resolution settings, access registers 0x0144-0x014d. The values must be valid resolution range from 250cpi to 3000cpi.

The OTF current resolution state can be displayed with LED indication via any available GPIO between GPIO3-GPIO6 and GPIO11-GPIO15. These GPIOs can be configured to be active high output and the blinking duty cycle can also be determined via EEPROM.

Mouse manufacturers can use up to 4 GPIO to support resolution LED indicators. Refer to registers 0x011f-0x0123 for total GPIO to be used and each GPIO assignment. As there is a maximum of ten possible resolution settings, there is also a maximum of ten possible resolution LED indicator settings via registers 0x0124-0x012d. Duration for resolution LEDs to be lighted up can also be programmed via Resolution_LED_Duration (0x012e). For optimized power saving purposes, it is recommended that the LEDs are lighted up for a short moment once there is a change in the resolution setting. To define GPIO state to turn on the resolution LED indicator as well as the LED's duty cycle, access EEPROM registers 0x012f-0x0131.

KeyMap (KM)

The KeyMap is only supported in Bluetooth version 2.0 firmware. KM enables any available GPIO between GPIO11-GPIO15 to be assigned as keyboard shortcut key. User_Defined_Function_n_A/B/C registers (where, n=1, 2, 3, 4 or 5) allow configuration of User_Defined_Function_n_A/B/C registers (where, n=1, 2, 3, 4 or 5). Thus, the sensor can be customized to implement standard Microsoft keyboard shortcut keys or special shortcut keys used in different applications, e.g. Office, CAD, PC Games, etc.

The respective first and second byte of keyboard code A, B and C can be assigned to programmable button n (where, n=1, 2, 3, 4 or 5) in the MConfig software program. The first byte usually consists of any combinations for keys located on the either side (left or right only) of a standard keyboard as listed:

- Windows Logo Key ("LWIN", "RWIN")
- CTRL ("LCTRL", "RCTRL")
- SHIFT ("LSHIFT", "RSHIFT")
- ALT ("LALT", "RALT")

The second byte can be referred to any single keyboard key scan code available from Windows Platform Design Notes on Keyboard Scan Code Specification, which can be downloaded from:

<http://www.microsoft.com/whdc/archive/scancode.msp>

Some examples of possible key combinations for programmable buttons below:

If keyboard code A of programmable button 1 is shortcut key of "Windows Logo Key",

Keyboard code A byte1 = "LWin" (or "RWin")

Keyboard code A byte2 = Not Support

User_Defined_Function_1_A = a1 01 08 00 03 00 00 00 00 00

If keyboard code A of programmable button 2 is shortcut key of "Enter",

Keyboard code A byte1 = "Not Support"

Keyboard code A byte2 = "ENTER"

User_Defined_Function_2_A = a1 01 00 00 28 00 00 00 00 00

If keyboard code B for programmable button 5 is shortcut key of "Ctrl+Alt+Delete",

Keyboard code B byte1 = "LAlt+LCtrl" (or "RAlt+RCtrl")

Keyboard code B byte2 = "Delete"

User_Defined_Function_5_B = a1 01 05 00 4c 00 00 00 00 00

Note: "LCtrl+RAlt" and "RCtrl+LAlt" are not supported.

EEPROM Write Protect Feature

Notice that B8/WP can either be used as a programmable button or LED indicator, or even as an I/O pin for EEPROM Write Protect function. In the event where all I/Os above are used up in a Bluetooth Mouse with tilt wheel, schematic below can be used to generate a 'pseudo I/O' for EEPROM Write Protect function. However, if all I/Os are used up in a Bluetooth Mouse without tilt wheel, there will be no EEPROM Write Protect function in the mouse. Though the possibility of EEPROM being overwritten through normal

mouse operation is low, Avago Technologies highly recommends mouse makers to use either B8/WP or the "pseudo I/O" method for EEPROM Write Protect function.

Media Buttons

The Media button featuring audio control is supported in both Bluetooth version 2.0 and 2.1 firmwares. The ADNS-7630 is the first one-chip mouse sensor to support Consumer Control usages as defined in the **Consumer Page** (page 0x0C) in the *Universal Serial Bus HID Usage Tables Version 1.0 specification*. For more information, please visit <http://www.usb.org/developers/hidpage/>.

This feature is related to User-Defined HID Programmable Buttons listed in EEPROM registers. For example, in order to define one function of consumer page, the value should be set in the format of "a1 07 xx yy 00 00 00 00 00 00", where xx yy should be replaced by the usage ID of the target function in byte-inverted sequence, eg. "cd 00" for ID = cd and "25 02" for ID = 225. When manually setting this media button function in MConfig software program, both first and second bytes of corresponding Keyboard Code A, B or C must be set to "Not Support". The User Defined Function C for each programmable button will cease to be effective when SSP is enabled in Bluetooth-Version-2.1's firmware.

Table 15. Example of Consumer Page audio controls supported in Windows 2000.

Usage	Name	Type
0xE0	Volume*	Linear Control (LC)
0xE2	Mute*	On/Off Control (OOC)
0xE3	Bass	Linear Control (LC)
0xE4	Treble	Linear Control (LC)
0xE5	Bass Boost*	On/Off Control (OOC)
0xE7	Loudness	On/Off Control (OOC)
0xE9	Volume Increment*	Re-trigger Control (RTC)
0xEA	Volume Decrement*	Re-trigger Control (RTC)

* These controls are supported in Windows 98 (original release and Service Pack 1 release).

Note: Programmable buttons with RTC usage type controls should be assigned to single click function only. If the button is pressed continuously and not released, the event will be retriggered. Thus, there should not be any long press function assigned to these buttons. For example, if user keeps pressing the Volume Increment button, ADNS-7630 will perform the actual re-triggering of events that will lead to continuous increments of the volume until the button has been released or until the maximum volume has been reached.

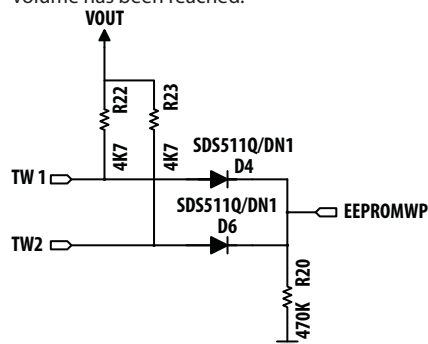


Figure 17. "Pseudo I/O" for EEPROM Write Protect Function

Typical Performance Characteristics

The following graphs are the typical performance of the ADNS-7630 sensor, assembled as shown in the 2D assembly drawing with the ADNS-7100-001 lens.

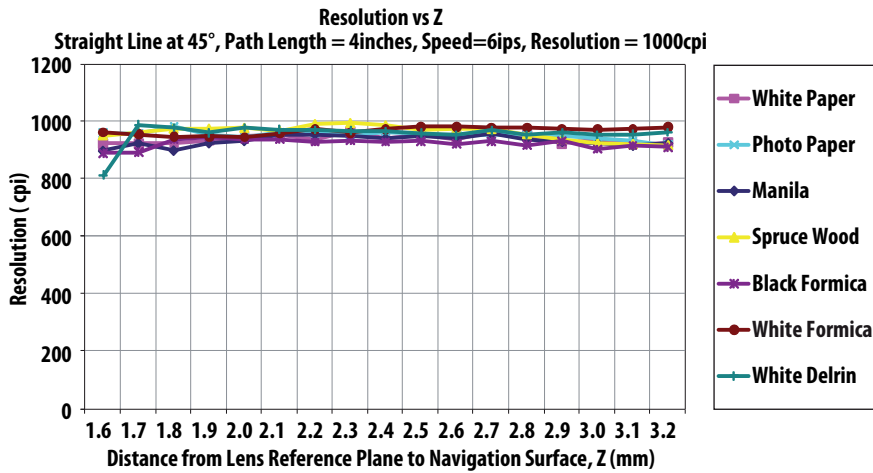


Figure 18. Mean Resolution vs. Z at 1000cpi

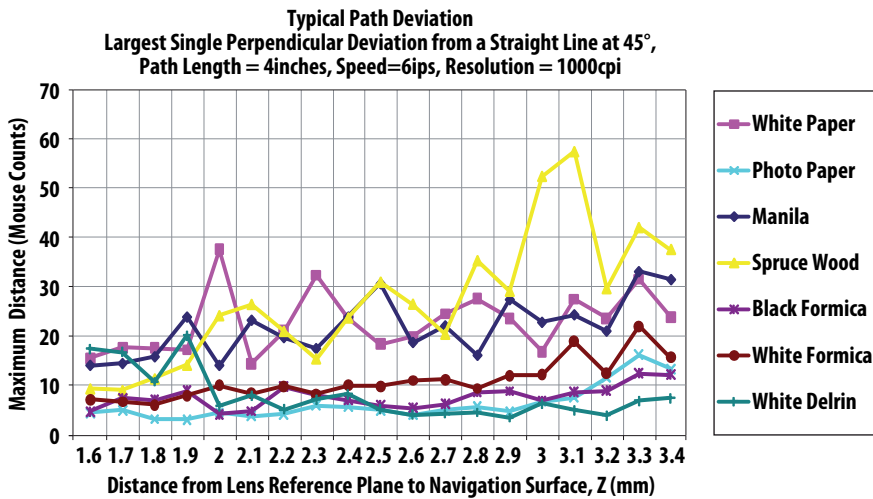


Figure 19. Average Error vs. Distance at 1000cpi (mm)

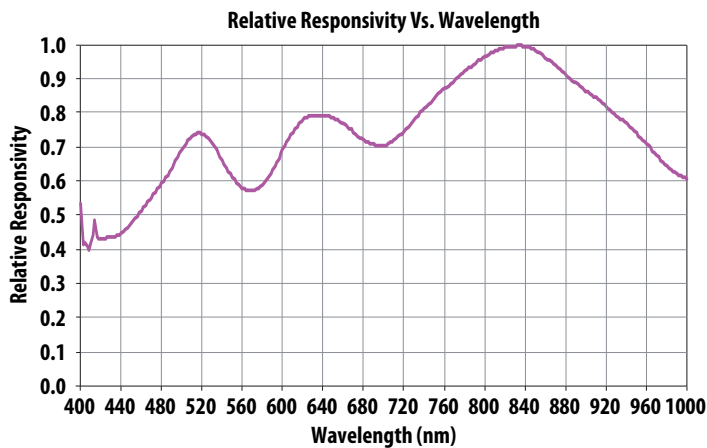


Figure 20. Wavelength Responsivity

Configuration after Power Up (Data Values)

Signal Function	Powered or Default Address or Configured	Suspended from any other states
B1	Pullup active for button use	Pullup active for button use
B2	Pullup active for button use	Pullup active for button use
B3	Pullup active for button use	Pullup active for button use
B4	Pullup active for button use	Pullup active for button use
B5	Pullup active for button use	Pullup active for button use
B6	Pullup active for button use	Pullup active for button use
B7	Pullup active for button use	Pullup active for button use
B8	Pullup active for button use	Pullup active for button use
TW1	Pullup active for button use	Pullup active for button use
TW2	Pullup active for button use	Pullup active for button use
-VCSEL	Pulsing	Pulled high (off)
ZA	Hi-Z input	Hi-Z input
ZB	Hi-Z input	Hi-Z input

Bluetooth HID Data Packet Format for 12-Bit Motion Format, 3/5 Buttons, Z-Wheel and Tilt-Wheel Mouse

	Bit 7	Bit 6	Bit 5	Bit 4	Bit 3	Bit 2	Bit 1	Bit 0
Byte 1	0	0	0	FB*	BB*	MB	RB	LB
Byte 2	X[7]	X[6]	X[5]	X[4]	X[3]	X[2]	X[1]	X[0]
Byte 3	Y[3]	Y[2]	Y[1]	Y[0]	X[11]	X[10]	X[9]	X[8]
Byte 4	Y[11]	Y[10]	Y[9]	Y[8]	Y[7]	Y[6]	Y[5]	Y[4]
Byte 5	Z[7]	Z[6]	Z[5]	Z[4]	Z[3]	Z[2]	Z[1]	Z[0]
Byte 6	TW[7]	TW[6]	TW[5]	TW[4]	TW[3]	TW[2]	TW[1]	TW[0]

* For 3 buttons mouse, FB = BB = 0.

Bluetooth HID Data Packet Format for 12-Bit Motion Format, 3/5 Buttons, Z-Wheel, Non Tilt-Wheel Mouse

	Bit 7	Bit 6	Bit 5	Bit 4	Bit 3	Bit 2	Bit 1	Bit 0
Byte 1	0	0	0	FB*	BB*	MB	RB	LB
Byte 2	X[7]	X[6]	X[5]	X[4]	X[3]	X[2]	X[1]	X[0]
Byte 3	Y[3]	Y[2]	Y[1]	Y[0]	X[11]	X[10]	X[9]	X[8]
Byte 4	Y[11]	Y[10]	Y[9]	Y[8]	Y[7]	Y[6]	Y[5]	Y[4]
Byte 5	Z[7]	Z[6]	Z[5]	Z[4]	Z[3]	Z[2]	Z[1]	Z[0]

* For 3 buttons mouse, FB = BB = 0.

Registers

The ADNS-7630 can be programmed or customized through an external EEPROM. Below is the list showing the EEPROM register mapping. Programmable configurations include basic mouse information, connection settings, mouse generic configuration, sensor configuration, and Bluetooth SDP configuration. Any changes on the register default value will effect the specifications and characteristics of ADNS-7630 as stated in this data sheet.

Domain	Register Name	Register Address		Byte Size	Default Value	
		Bluetooth Ver2.0	Bluetooth Ver2.1		Bluetooth Ver2.0	Bluetooth Ver2.1
Basic Information						
Firmware Version	Firmware_Version	0x0304-0x0305		2		1.0
Bluetooth Address	Bluetooth_BDAddress	0x0008-0x000b		6		00:19:4d:11:22:33
Pin Code	Pin_Length	0x000e		1		4
	Pin_Code	0x000f-0x0012		4		0000
Device	Device_Name_Length	0x0013		1		11
	Device_Name	0x0014-0x0053		64		Avago Mouse
Bluetooth 2.1 Function	Bluetooth_2.1_Function_Support	0x00d3		1	0x00	0x0f
	Secure Simple Pairing	Bit-0		1 bit	False	True
	Encryption Pause Resume	Bit-1		1 bit	False	True
	Extended Inquiry Response	Bit-2		1 bit	False	True
	Sniff Sub Rating	Bit-3		1 bit	False	True
Connection Configuration						
Power On Configuration	Mouse_Power_Up_Mode	0x0234		1		Discoverable Mode
	Auto_Reconnect_Enabled	0x0249		1		True
LMP Supervision Timeout	LMP_Supervision_TimeOut	0x0094-0x00a5		2		8000
Inquiry and Page Parameters	Page_Scan_Window	0x0096-0x0097		2		768
	Page_Scan_Interval	0x0098-0x0099		2		1024
	Inquiry_Scan_Window	0x009a-0x009b		2		768
	Inquiry_Scan_Interval	0x009c-0x009d		2		1024
	Inquiry_Scan_TimeOut	0x009e-0x009f		2		2250
	Page_TimeOut	0x00a0-0x00a1		2		0
Pairing and Authentication Mode	Pairing_Mode	0x00a2		1		True
	Authentication_Mode	0x00a3		1		False
Connect Button Configuration	Connect_Button_Press_Duration	0x00a4-0x00a5		2		12
	VC_Unplug_Enable	0x00a6		1		True
Low Power Configuration	Max_Sniff_Modes	0x00a7		1		3
	Sleep_Mode_Enabled	0x00a8		1		True
	Wake_Up_Method	0x00a9		1		All event
	Sniff_Retry_Count	0x00aa		1		3
	Sniff_Retry_Interval	0x00ab-0x00ac		2		1600
	Sniff_Timeout	0x00ad-0x00ae		2		1
	Sniff_Attempt	0x00af-0x00b0		2		2
	Sniff_Mode_Interval0	0x00b1-0x00b2		2		18
	Sniff_Mode_Interval1	0x00b3-0x00b4		2		108
	Sniff_Mode_Interval2	0x00b5-0x00b6		2		468
	Sniff_Mode_Interval3	0x00b7-0x00b8		2		0
	Sniff_Mode_Interval4	0x00b9-0x00ba		2		0
	Sniff_Mode_Interval5	0x00bb-0x00bc		2		0
	Sniff_Mode_Interval6	0x00bd-0x00be		2		0
	Sniff_Mode_Interval7	0x00bf-0x00c0		2		0
	Sniff_Mode_Duration0	0x00c1-0x00c2		2		178
	Sniff_Mode_Duration1	0x00c3-0x00c4		2		900
	Sniff_Mode_Duration2	0x00c5-0x00c6		2		2050
	Sniff_Mode_Duration3	0x00c7-0x00c8		2		0
	Sniff_Mode_Duration4	0x00c9-0x00ca		2		0
	Sniff_Mode_Duration5	0x00cb-0x00cc		2		0
	Sniff_Mode_Duration6	0x00cd-0x00ce		2		0
	Sniff_Mode_Duration7	0x00cf-0x00d0		2		0

Registers (continued)

Domain	Register Name	Register Address			Default Value	
		Bluetooth Ver2.0	Bluetooth Ver2.1	Byte Size	Bluetooth Ver2.0	Bluetooth Ver2.1
Mouse Generic Configuration						
Button Configuration						
Button Configuration	Programmable_Buttions_Total		0x00d1	1		0
	Programmable_Buttions_Low_Power		0x00d2	1		1
	Debouncing_Time		0x021e	1		4
Programmable Button 1	GPIO_Pin_Selection1		0x00d4	1		0
	Single_Click_Function1		0x00d5	1		Not Support
	Single_Click_Repeat_Delay1	0x00d6	N/A	1		0
	Long_Press_Function1	0x00d7	0x00d6	1		Not Support
	Long_Press_Duration1	0x00d8	0x00d7	1		25
	Double_Click_Function1	0x00d9	N/A	1		Not Support
	Double_Click_Interval1	0x00da	N/A	1		6
	User_Defined_Function_1_A	0x025b-0x0264	0x0287-0x0290	10	a1 00 00 00 03 00 00 00	00 00
	User_Defined_Function_1_B	0x0266-0x026f	0x0292-0x029b	10	a1 00 00 00 03 00 00 00	00 00
	User_Defined_Function_1_C	0x0271-0x027a	N/A	10	a1 00 00 00 03 00 00 00	00 00
Programmable Button 2	GPIO_Pin_Selection2		0x00db	1		0
	Single_Click_Function2		0x00dc	1		Not Support
	Single_Click_Repeat_Delay2	0x00dd	N/A	1		0
	Long_Press_Function2	0x00de	0x00e2	1		Not Support
	Long_Press_Duration2	0x00df	0x00e3	1		25
	Double_Click_Function2	0x00e0	N/A	1		Not Support
	Double_Click_Interval2	0x00e1	N/A	1		6
	User_Defined_Function_2_A	0x027c-0x0285	0x029d-0x02a6	10	a1 00 00 00 03 00 00 00	00 00
	User_Defined_Function_2_B	0x0287-0x0290	0x02a8-0x02b1	10	a1 00 00 00 03 00 00 00	00 00
	User_Defined_Function_2_C	0x0292-0x029b	N/A	10	a1 00 00 00 03 00 00 00	00 00
Programmable Button 3	GPIO_Pin_Selection3		0x00e2	1		0
	Single_Click_Function3		0x00e3	1		Not Support
	Single_Click_Repeat_Delay3	0x00e4	N/A	1		0
	Long_Press_Function3	0x00e5	0x00ee	1		Not Support
	Long_Press_Duration3	0x00e6	0x00ef	1		25
	Double_Click_Function3	0x00e7	N/A	1		Not Support
	Double_Click_Interval3	0x00e8	N/A	1		6
	User_Defined_Function_3_A	0x029d-0x02a6	0x02b3-0x02bc	10	a1 00 00 00 03 00 00 00	00 00
	User_Defined_Function_3_B	0x02a8-0x02b1	0x02be-0x02c7	10	a1 00 00 00 03 00 00 00	00 00
	User_Defined_Function_3_C	0x02b3-0x02bc	N/A	10	a1 00 00 00 03 00 00 00	00 00

Registers (continued)

Domain	Register Name	Register Address			Default Value	
		Bluetooth Ver2.0	Bluetooth Ver2.1	Byte Size	Bluetooth Ver2.0	Bluetooth Ver2.1
Programmable Button 4	GPIO_Pin_Selection4	0x00e9	0x00f8	1	0	
	Single_Click_Function4	0x00ea	0x00f9	1	Not Support	
	Single_Click_Repeat_Delay4	0x00eb	N/A	1	0	
	Long_Press_Function4	0x00ec	0x00fa	1	Not Support	
	Long_Press_Duration4	0x00ed	0x00fb	1	25	
	Double_Click_Function4	0x00ee	N/A	1	Not Support	
	Double_Click_Interval4	0x00ef	N/A	1	6	
	User_Defined_Function_4_A	0x02be-0x02c7	0x02c9-0x02d2	10	a1 00 00 00 03 00 00 00 00 00	
	User_Defined_Function_4_B	0x02c9-0x02d2	0x02d4-0x02dd	10	a1 00 00 00 03 00 00 00 00 00	
User_Defined_Function_4_C	0x02d4-0x02dd	N/A	10	a1 00 00 00 03 00 00 00 00 00		
Programmable Button 5	GPIO_Pin_Selection5	0x00f0	0x0108	1	0	
	Single_Click_Function5	0x00f1	0x0109	1	Not Support	
	Single_Click_Repeat_Delay5	0x00f2	N/A	1	0	
	Long_Press_Function5	0x00f3	0x010a	1	Not Support	
	Long_Press_Duration5	0x00f4	0x010b	1	25	
	Double_Click_Function5	0x00f5	N/A	1	Not Support	
	Double_Click_Interval5	0x00f6	N/A	1	6	
	User_Defined_Function_5_A	0x02df-0x02e8		10	a1 00 00 00 03 00 00 00 00 00	
	User_Defined_Function_5_B	0x02ea-0x02f3		10	a1 00 00 00 03 00 00 00 00 00	
User_Defined_Function_5_C	0x02f5-0x02fe	N/A	10	a1 00 00 00 03 00 00 00 00 00		
Twheel PIN Function Selection						
Tilt Wheel	Tilt_Wheel_Enabled		0x0114	1	Support Twheel Function	
LED Configuration						
Power-On LED Configuration	Power_On_LED_Enabled		0x22c	1	False	
	Power_On_LED_PIN		0x22d	1	0	
	Power_On_LED_GPIO_State		0x22e	1	0	
	Power_On_LED_On_Duration		0x22f	1	37	
	Reconnect_Power_On_LED_Enabled		0x244	1	False	
	Reconnect_Power_On_LED_PIN		0x245	1	0	
	Reconnect_Power_On_LED_GPIO_State		0x246	1	0	
	Reconnect_Power_On_LED_On_Duration		0x247	1	37	
Discovery LED Configuration	Discover_LED_Enabled		0x0115	1	True	
	Discover_LED_PIN		0x0116	1	6	
	Discover_LED_GPIO_State		0x0117	1	0	
	Discover_LED_On_Period		0x0118	1	5	
	Discover_LED_Off_Period		0x0119	1	9	

Registers (continued)

Domain	Register Name	Register Address			Default Value	
		Bluetooth Ver2.0	Bluetooth Ver2.1	Byte Size	Bluetooth Ver2.0	Bluetooth Ver2.1
Reconnect LED Configuration	Reconnect_LED_Enabled	0x0230		1	False	
	Reconnect_LED_PIN	0x0231		1	0	
	Reconnect_LED_GPIO_State	0x0232		1	0	
	Reconnect_LED_On_Duration	0x0233		1	3	
Battery LED Configuration	Battery_LED_Enabled	0x011a		1	True	
	Battery_LED_PIN	0x011b		1	5	
	Battery_LED_GPIO_State	0x011c		1	0	
	Battery_LED_On_Period	0x011d		1	4	
	Battery_LED_Off_Period	0x011e		1	9	
	Battery_LED_Blink_Duration	0x0238-0x0239		2	30	
	Battery_LED_Rest_Duration	0x023a-0x023b		2	0	
	Battery_LED_Active_Sniff_Mode	0x023c		1	0x06	
	Battery_LED_Total_Duration	0x023d		1	30	
	Battery_LED_Disabled_Before_Connection	0x0248		1	True	
CPI Selection Indicator	Resolution_LED_GPIO_Total	0x011f		1	0	
	Resolution_LED_GPIO_Selection1	0x0120		1	0	
	Resolution_LED_GPIO_Selection2	0x0121		1	0	
	Resolution_LED_GPIO_Selection3	0x0122		1	0	
	Resolution_LED_GPIO_Selection4	0x0123		1	0000	
	Resolution_LED_Setting1	0x0124		1	0000	
	Resolution_LED_Setting2	0x0125		1	0000	
	Resolution_LED_Setting3	0x0126		1	0000	
	Resolution_LED_Setting4	0x0127		1	0000	
	Resolution_LED_Setting5	0x0128		1	0000	
	Resolution_LED_Setting6	0x0129		1	0000	
	Resolution_LED_Setting7	0x012a		1	0000	
	Resolution_LED_Setting8	0x012b		1	0000	
	Resolution_LED_Setting9	0x012c		1	0000	
	Resolution_LED_Setting10	0x012d		1	0000	
	Resolution_LED_Duration	0x012e		1	0	
	GPIO_state_On_Resolution_LED	0x012f		1	0	
	Resolution_LED_On_Period	0x0130		1	0	
	Resolution_LED_Off_Period	0x0131		1	0	
	Resolution_LED_Blink_On_Connection	0x024a		1	False	
Motion Configuration						
Motion Configuration	Report_Protocol	0x0132		1	Report Mode	
	Motion_Report_Size	0x0133		1	12	
	XY_Swap	0x0134		1	True	
	X_Flip	0x0135		1	False	
	Y_Flip	0x0136		1	False	
	Z_Selection	0x0137		1	Mechanical	
	Z_Configuration	0x0138		1	Z/2	
	Z_Negate	0x0139		1	False	
	X_Scale	0x013a		1	0	
	Y_Scale	0x013b		1	0	

Registers (continued)

Domain	Register Name	Register Address			Default Value	
		Bluetooth Ver2.0	Bluetooth Ver2.1	Byte Size	Bluetooth Ver2.0	Bluetooth Ver2.1
Battery Configuration						
Battery Configuration	Battery_Alarm_Power	0x01c0		1	2.2V	
	Battery_Alarm_Time	0x01c1		4	125	
	Battery_Sleep_Power	0x0203		1	2.0V	
Sensor Configuration						
Resolution	Max_Resolution	0x013d		1	3000	
	Default_Resolution	0x013e		1	1250	
CPI Selection	Resolution_Selection_Method	0x0141		1	Not Support	
	Resolution_Selection_Total	0x0142		1	0	
	Current_Resolution_Selection	0x0143		1	0	
	Resolution_Setting1	0x0144		1	0	
	Resolution_Setting2	0x0145		1	0	
	Resolution_Setting3	0x0146		1	0	
	Resolution_Setting4	0x0147		1	0	
	Resolution_Setting5	0x0148		1	0	
	Resolution_Setting6	0x0149		1	0	
	Resolution_Setting7	0x014a		1	0	
	Resolution_Setting8	0x014b		1	0	
Resolution_Setting9	0x014c		1	0		
Resolution_Setting10	0x014d		1	0		
SDP Configuration						
Vendor Information	SDP_Service_Name	0x014e-0x018d		64	Avago Bluetooth Mouse	
	SDP_Service_Name_Length	0x018e		1	21	
	SDP_Service_Description	0x018f-0x019e		16	A Mouse	
	SDP_Service_Description_Length	0x019f		1	7	
	SDP_Provider_Name	0x01a0-0x01af		16	Avago	
	SDP_Provider_Name_Length	0x01b0		1	5	
	SDP_Vendor_ID	0x01b1-0x01b2		2	abcd	
	SDP_Product_ID	0x01b3-0x01b4		2	1234	
SDP_Product_Version	0x01b5-0x01b6		2	100		
BQB-Specific SDP Configuration	HID_Attribute_Length	0x01ff		1	0x9f	
	HID_Attribute_Offset	0x0201		1	0xeb	
EEPROM Configuration						
EEPROM Write Protection	EEPROM_WP_Flag	0x021f		1	GPIO	

Basic Information

Firmware_Version

Size: 2 byte Default Value: **1.0**

USAGE: This register contains the firmware version. Value 2 means version 2.0. This register value is fixed and not programmable.

Bluetooth_BDAddress

Size: 6 byte Default Value: **00:19:4d:11:22:33**

USAGE: This register contains the Bluetooth address in hexadecimal. The format should be 00:11:22:33:44:55, where "00:11" are NAP (Non- Significant Address Part), "22" is UAP (Upper Address Part) and "33:44:55" are LAP (Lower Address Part).

Pin_Length

Size: 1 byte Default Value: **4**

USAGE: This register contains the fixed PIN code length. Value 4 means the length of the PIN code is 4 bits.

Pin_Code

Size: 4 byte Default Value: **0000**

USAGE: This register contains the PIN code in format of 4-byte alphanumeric string and special characters. Value 0000 means the PIN code is "0000".

Device_Name_Length

Size: 1 byte Default Value: **11**

USAGE: This register contains the length of the mouse Device Name.

Device_Name

Size: up to 64 bytes Default Value: **Avago Mouse**

USAGE: This register contains the mouse Device Name.

Bluetooth_2.1_Function_Support

Size: 1 byte Default Value: **0x00**

USAGE: This register defines which Bluetooth V2.1 feature(s) is supported.

- bit 0: Secure Simple Pairing (SSP)
- bit 1: Encryption Pause and Resume (EPR)
- bit 2: Extended Inquiry Response (EIR)
- bit 3: Sniff Sub Rating (SSR)
- bit 4~7: Reserved

Secure simple pairing – Set whether to support secure simple pairing which supports "Just Works" and to enhance ease of use user experience.

Encryption pause resume – Set whether to support encryption pause and resume where better protection through encryption key refreshed during long connection period of use.

Extended inquiry response – Set whether to support extended inquiry response to enable fast discovery of device and to reduce latency.

Sniff sub-rating – Set whether to support sniff sub-rating which reduces power consumption for HID.

For example, 5 (i.e. 0x05) means SSP and EIR are supported, and the other 2 features are not supported. Set to 0 to disable support for all four Bluetooth V2.1 features.

Connection Configuration

Mouse_Power_Up_Mode

Size: 1 byte Default Value: **Discoverable mode**

USAGE: This register defines which mode the mouse will enter after power-up, if reconnection is unnecessary.

Set to "Sleep mode" to make mouse enter sleep mode;

Set to "Discoverable mode" to enter discoverable mode.

Auto_Reconnect_Enabled

Size: 1 byte Default Value: **True**

USAGE: This register defines the status of auto reconnection to host after power on

LMP_Supervision_TimeOut

Size: 2 byte Default Value: **8000**

USAGE: This register defines the LMP supervision timeout in slots of 625us each. For example, 4096 means $4096 * 625us = 2.56$ seconds.

Page_Scan_Window

Size: 2 byte Default Value: **768**

USAGE: This register defines the page scan window in slots of 625us each. For example, 768 means $768 * 625us = 480ms$.

Page_Scan_Interval

Size: 2 byte Default Value: **1024**

USAGE: This register defines the page scan interval in slots of 625us each. For example, 1024 means $1024 * 625us = 640ms$.

Inquiry_Scan_Window

Size: 2 byte Default Value: **768**

USAGE: This register defines the inquiry scan window in slots of 625us each. For example, 768 means $768 * 625us = 480ms$.

Inquiry_Scan_Interval

Size: 2 byte Default Value: **1024**

USAGE: This register defines the inquiry scan interval in slots of 625us each. For example, 1024 means $1024 * 625us = 640ms$.

Inquiry_Scan_TimeOut

Size: 2 byte Default Value: **2250**

USAGE: This register defines the inquiry scan timeout (multiples of 80ms). For example, 750 means $750 * 80ms = 60$ seconds.

Page_TimeOut

Size: 2 byte Default Value: **0**

USAGE: This register defines the page timeout (multiples of 80ms). For example, 30 means $30 * 80ms = 2.4$ seconds. Set to 0 to disable page timeout.

Pairing_Mode

Size: 1 byte Default Value: **True**

USAGE: This register defines whether auto pairing or normal pairing mode is used. Data type is Boolean.
Set to "True" for auto pairing which support authentication
Set to "False" for normal pairing which reject authentication

Authentication_Mode

Size: 1 byte Default Value: **False**

USAGE: This register defines whether the host or the device starts authentication. Data type is Boolean.
Set to "True" to allow mouse to initiate authentication;
Set to "False" to allow host to initiate authentication.

Connect_Button_Press_Duration

Size: 2 byte Default Value: **12**

USAGE: This register defines duration (multiples of 80ms) needed for the connect button to be held before events are generated. 10 means $10 * 80\text{ms} = 0.8$ second.

VC_Unplug_Enable

Size: 1 byte Default Value: **True**

USAGE: This register controls whether a Virtual Cable unplug is generated on a connect button press. Data type is Boolean.
Set to "True" to enable Virtual Cable unplug when connection button is pressed;
Set to "False" to disable Virtual Cable unplug when connection button is pressed.

Low Power Configuration

Max_Sniff_Modes

Size: 1 byte Default Value: **3**

USAGE: This register defines the maximal number (less than or equal to 8) of sniff modes, for example, 3 means there are 3 sniff modes at most.

Sleep_Mode_Enabled

Size: 1 byte Default Value: **True**

USAGE: This register defines whether to enter sleep mode when last sniff mode timeout. Data type is Boolean.
Set to "True" to allow mouse enter sleep mode when last sniff mode timeout;
Set to "False" to disallow mouse enter sleep mode when last sniff mode timeout.

Wake_Up_Method

Size: 1 byte Default Value: **All event**

USAGE: This register defines through which way the mouse will be awakened.
Set to "All event" to allow a button event or motion to wake up the mouse;
Set to "Button event" to allow a button event to wake up the mouse;
Set to "Motion" to allow motion to wake up the mouse.

Sniff_Retry_Count

Size: 1 byte Default Value: **3**

USAGE: This register defines how many times of sniff will be requested by device if the master rejects the sniff request. For example, 3 means sniff will retry 3 times. Set to 0 to retry forever.

Sniff_Retry_Interval

Size: 2 byte Default Value: **1600**

USAGE: This register defines how many slots (1slot = 625us) the device should wait before resending the sniff request. For example, 1600 means $1600 * 625\text{us} = 1 \text{ second}$.

Sniff_Timeout

Size: 2 byte Default Value: **1**

USAGE: This register defines timeout (in slots) of the sniff request to master in the current state. For example, 10 means 10 transmission slots. For the HID device to work well while multiple Bluetooth devices are connected to the host, non-zeros value is recommended.

Notes: If the slave has received a packet with a matching LT_ADDR that contains ACL data (DM, DH, DV, or AUX1 packets) in the preceding Nsniff_timeout master-to-slave transmission slots, then it shall continue listening.

If the slave has transmitted a packet containing ACL data (DM, DH, DV, or AUX1 packets) in the preceding Nsniff_timeout slave-to-master transmission slots, then it shall continue listening.

If the slave has received any packet with a matching LT_ADDR in the preceding Nsniff_timeout master-to-slave transmission slots, then it may continue listening.

Sniff_Attempt

Size: 2 byte Default Value: **2**

USAGE: This register defines sniff attempt (in slots) of the sniff request to master in the current state. For example, 4 means 4 transmission slot.

Notes: If fewer than Nsniff_attempt master-to-slave transmission slots have elapsed since the sniff anchor point, then the slave shall continue listening.

Sniff_Mode_Interval0

Size: 2 byte Default Value: **18**

USAGE: This register defines sniff interval (in slot) for sniff mode 0. For example, 18 means $18 * 625\text{us} = 11.25\text{ms}$.

Note: Only 10, 12, 14, 16, 18 and 20 are valid.

Sniff_Mode_Interval1

Size: 2 byte Default Value: **108**

USAGE: This register defines sniff interval (in slot) for sniff mode 1. For example, 108 means $108 * 625\text{us} = 67.5\text{ms}$.

Sniff_Mode_Interval2

Size: 2 byte Default Value: **468**

USAGE: This register defines sniff interval (in slot) for sniff mode 2. For example, 480 means $480 * 625\text{us} = 300\text{ms}$.

Sniff_Mode_Interval3

Size: 2 byte Default Value: **0**

USAGE: This register defines sniff interval (in slot) for sniff mode 3. For example, 300 means $300 * 625\text{us} = 187.5\text{ms}$.

Sniff_Mode_Interval4

Size: 2 byte Default Value: **0**

USAGE: This register defines sniff interval (in slot) for sniff mode 4. For example, 400 means $400 * 625\mu s = 250\text{ms}$.

Sniff_Mode_Interval5

Size: 2 byte Default Value: **0**

USAGE: This register defines sniff interval (in slot) for sniff mode 5. For example, 500 means $500 * 625\mu s = 312.5\text{ms}$.

Sniff_Mode_Interval6

Size: 2 byte Default Value: **0**

USAGE: This register defines sniff interval (in slot) for sniff mode 6. For example, 600 means $600 * 625\mu s = 375\text{ms}$.

Sniff_Mode_Interval7

Size: 2 byte Default Value: **0**

USAGE: This register defines sniff interval (in slot) for sniff mode 7. For example, 700 means $700 * 625\mu s = 437.5\text{ms}$.

Sniff_Mode_Duration0

Size: 2 byte Default Value: **178**

USAGE: The register defines sniff mode duration (must be a positive multiple of corresponding sniff mode interval) for the sniff mode. For examples, 178 means 178 times of the corresponding sniff mode interval (Sniff_Mode_Interval0 in this case). Therefore the default Sniff_Mode_Duration0 means $178 * 11.25\text{ms} = 2002.5\text{ms}$.

Sniff_Mode_Duration1

Size: 2 byte Default Value: **900**

USAGE: The register defines sniff mode duration (must be a positive multiple of corresponding sniff mode interval) for the sniff mode. For examples, 370 means 370 times of the corresponding sniff mode interval (Sniff_Mode_Interval1 in this case). Therefore the default Sniff_Mode_Duration1 means $370 * 67.5\text{ms} = 24.975\text{sec}$.

Sniff_Mode_Duration2

Size: 2 byte Default Value: **2050**

USAGE: The register defines sniff mode duration (must be a positive multiple of corresponding sniff mode interval) for the sniff mode. For examples, 6000 means 6000 times of the corresponding sniff mode interval (Sniff_Mode_Interval2 in this case). Therefore the default Sniff_Mode_Duration2 means $6000 * 300\text{ms} = 1800\text{sec}$ (30min).

Sniff_Mode_Duration3

Size: 2 byte Default Value: **0**

USAGE: The register defines sniff mode duration (must be a positive multiple of corresponding sniff mode interval) for the sniff mode. For examples, 50 means 50 times of the corresponding sniff mode interval.

Sniff_Mode_Duration4

Size: 2 byte Default Value: **0**

USAGE: The register defines sniff mode duration (must be a positive multiple of corresponding sniff mode interval) for the sniff mode. For examples, 50 means 50 times of the corresponding sniff mode interval.

Sniff_Mode_Duration5

Size: 2 byte Default Value: **0**

USAGE: The register defines sniff mode duration (must be a positive multiple of corresponding sniff mode interval) for the sniff mode. For examples, 50 means 50 times of the corresponding sniff mode interval.

Sniff_Mode_Duration6

Size: 2 byte Default Value: **0**

USAGE: The register defines sniff mode duration (must be a positive multiple of corresponding sniff mode interval) for the sniff mode. For examples, 50 means 50 times of the corresponding sniff mode interval.

Sniff_Mode_Duration7

Size: 2 byte Default Value: **0**

USAGE: The register defines sniff mode duration (must be a positive multiple of corresponding sniff mode interval) for the sniff mode. For examples, 50 means 50 times of the corresponding sniff mode interval.

Mouse Generic Configuration

Programmable_Buttons_Total

Size: 1 byte Default Value: **0**

USAGE: This register defines the number of programmable buttons. For example, 5 means there are 5 programmable buttons.

Programmable_Buttons_Low_Power

Size: 1 byte Default Value: **1**

USAGE: This register defines the maximal number of button events to be saved during low power mode period, for example, 1 means 1 button event will be saved at most. For current IC version, this register value is fixed to "1".

Debouncing_Time

Size: 1 byte Default Value: **4**

USAGE: Define the shortest period of time (in ms) for effective button state of an operation. An integer between 1 and 30 is valid. For example, 30 means a button press/release state will be ignored if this state lasts less than 30 ms.

GPIO_Pin_Selection1, GPIO_Pin_Selection2, GPIO_Pin_Selection3, GPIO_Pin_Selection4, GPIO_Pin_Selection5

Size: 1 byte Default Value: **0**

USAGE: This register selects which pin the programmable button is connected to. An integer between 11 and 15 is valid. For example, 11 means the programmable button is connected to GPIO11.

Single_Click_Function1, Single_Click_Function2, Single_Click_Function3, Single_Click_Function4, Single_Click_Function5

Size: 1 byte Default Value: **Not Supported**

USAGE: This register defines an explicit function of each single-click function of programmable button.

- Set to "Not support" to disable single click function;
- Set to "Function A" to choose Function A for single click function;
- Set to "Function B" to choose Function B for single click function;
- Set to "Function C" to choose Function C for single click function;
- Set to "Increase CPI" to choose Increase CPI for single click function;
- Set to "Decrease CPI" to choose Decrease CPI for single click function;
- Set to "CPI Rotation" to choose CPI Rotation for single click function.

Single_Click_Repeat_Delay1, Single_Click_Repeat_Delay2, Single_Click_Repeat_Delay3, Single_Click_Repeat_Delay4, Single_Click_Repeat_Delay5

Size: 1 byte Default Value: **0**

USAGE: This register defines the duration (multiples of 80ms) of each single-click function of programmable button. An integer less than or equal to 255 is valid. Set to 0 to disable single click repeat delay. For example, 20 means the single click duration is 1.6 seconds. If Secure Simple Pairing is enabled, this feature will cease to be effective.

Long_Press_Function1, Long_Press_Function2, Long_Press_Function3, Long_Press_Function4, Long_Press_Function5

Size: 1 byte Default Value: **Not Supported**

USAGE: This register defines an explicit function of each long-press function of programmable button.

- Set to "Not support" to disable long press function;
 - Set to "Function A" to choose Function A for long press function;
 - Set to "Function B" to choose Function B for long press function;
 - Set to "Function C" to choose Function C for long press function;
 - Set to "Increase CPI" to choose Increase CPI for long press function;
 - Set to "Decrease CPI" to choose Decrease CPI for long press function;
 - Set to "CPI Rotation" to choose CPI Rotation for long press function.
-

Long_Press_Duration1, Long_Press_Duration2, Long_Press_Duration3, Long_Press_Duration4, Long_Press_Duration5

Size: 1 byte Default Value: **25**

USAGE: This register defines the long press duration (in multiples of 80ms) of programmable button. To set the threshold, input an integer between 1 and 255. For example, 20 means the long press duration is 20*80ms = 1.6 seconds.

Double_Click_Function1, Double_Click_Function2, Double_Click_Function3, Double_Click_Function4, Double_Click_Function5

Size: 1 byte Default Value: **Not Supported**

USAGE: This register defines an explicit function of each double-click function of programmable button.

- Set to "Not support" to disable double click function;
 - Set to "Function A" to choose Function A for double click function;
 - Set to "Function B" to choose Function B for double click function;
 - Set to "Function C" to choose Function C for double click function;
 - Set to "Increase CPI" to choose Increase CPI for double click function;
 - Set to "Decrease CPI" to choose Decrease CPI for double click function;
 - Set to "CPI Rotation" to choose CPI Rotation for double click function.
- If Secure Simple Pairing is enabled, this feature will cease to be effective.
-

Double_Click_Interval1, Double_Click_Interval2, Double_Click_Interval3, Double_Click_Interval4, Double_Click_Interval5

Size: 1 byte Default Value: **6**

USAGE: This register defines the interval (multiples of 80ms) of each double-click function of programmable button. A positive integer less than or equal to 255 is valid. For example, 20 means the double click duration is 1.6 seconds. If Secure Simple Pairing is enabled, this feature will cease to be effective.

User_Defined_Function_1_A, User_Defined_Function_2_A, User_Defined_Function_3_A, User_Defined_Function_4_A, User_Defined_Function_5_A

Size: 10 byte Default Value: **a1 00 00 00 03 00 00 00 00 00**

USAGE: Define the user-defined HID report for function A of programmable button 1 to 5. For example, in order to define one function of consumer page, the value should be set in the format of "a1 07 xx yy 00 00 00 00 00 00", where xx yy should be replaced by the usage ID of the target function in byte-inverted sequence, e.g. "cd 00" for ID = cd and "25 02" for ID = 225. When manually setting this item, keyboard code A must be set to "Not support" in both bytes.

User_Defined_Function_1_B, User_Defined_Function_2_B, User_Defined_Function_3_B, User_Defined_Function_4_B, User_Defined_Function_5_B

Size: 10 byte Default Value: **a1 00 00 00 03 00 00 00 00 00**

USAGE: Define the user-defined HID report for function B of programmable button 1 to 5. For example, in order to define one function of consumer page, the value should be set in the format of "a1 07 xx yy 00 00 00 00 00", where xx yy should be replaced by the usage ID of the target function in byte-inverted sequence, e.g. "cd 00" for ID = cd and "25 02" for ID = 225. When manually setting this item, keyboard code B must be set to "Not support" in both bytes.

User_Defined_Function_1_C, User_Defined_Function_2_C, User_Defined_Function_3_C, User_Defined_Function_4_C, User_Defined_Function_5_C

Size: 10 byte Default Value: **a1 00 00 00 03 00 00 00 00 00**

USAGE: Define the user-defined HID report for function C of programmable button 1 to 5. For example, in order to define one function of consumer page, the value should be set in the format of "a1 07 xx yy 00 00 00 00 00 00", where xx yy should be replaced by the usage ID of the target function in byte-inverted sequence, e.g. "cd 00" for ID = cd and "25 02" for ID = 225. When manually setting this item, keyboard code B must be set to "Not support" in both bytes. If Secure Simple Pairing is enabled, this feature will cease to be effective.

Tilt_Wheel_Enabled

Size: 1 byte Default Value: **Not Supported**

USAGE: This register enables or disables the tilt wheel function (via TW+ and TW- pins). Data type is Boolean.
Set to "Not Supported" to disable tilt wheel function;
Set to "Support TWheel Function" to activate the TW+ and TW- for tilt wheel function;
Set to "Support LED Function" to activate the TW+ and TW- as LED GPIO.

Power_On_LED_Enabled

Size: 1 byte Default Value: **False**

USAGE: This register enables or disables power-on LED indicator function. Data type is Boolean.
Set to "True" to enable power-on LED support;
Set to "False" to disable power-on LED support.

Power_On_LED_PIN

Size: 1 byte Default Value: **0**

USAGE: This register defines which GPIO pin the power-on LED is connected to. GPIO3-GPIO6 and GPIO11-GPIO15 are valid options. For example, 6 means the power-on LED is connected to GPIO6.

Power_On_LED_GPIO_State

Size: 1 byte Default Value: **0**

USAGE: This register defines the GPIO value which causes the power-on LED to turn on. The opposite value is used automatically to turn it off. Only 0 and 1 are valid. For example, 1 means GPIO value "1" causes power-on LED to turn on, and GPIO value "0" causes power-on LED to turn off.

Power_On_LED_On_Duration

Size: 1 byte Default Value: **37**

USAGE: This register defines power-on LED on period (multiples of 80ms). The range is 0 to 255. For example, 10 means 10*80ms = 0.8 second.

Reconnect_Power_On_LED_Enabled

Size: 1 byte Default Value: **False**

USAGE: This register enables or disables reconnect power-on LED indicator function. Data type is Boolean.

Set to "True" to enable reconnect power-on LED support;
Set to "False" to disable reconnect power-on LED support.

Reconnect_Power_On_LED_PIN

Size: 1 byte Default Value: **0**

USAGE: This register defines which GPIO pin the reconnect power-on LED is connected to. GPIO3-GPIO6 and GPIO11-GPIO15 are valid options. For example, 6 means the reconnect power-on LED is connected to GPIO6.

Reconnect_Power_On_LED_GPIO_State

Size: 1 byte Default Value: **0**

USAGE: This register defines the GPIO value which causes the reconnect power-on LED to turn on. The opposite value is used automatically to turn it off. Only 0 and 1 are valid. For example, 1 means GPIO value "1" causes reconnect power-on LED to turn on, and GPIO value "0" causes reconnect power-on LED to turn off.

Reconnect_Power_On_LED_On_Duration

Size: 1 byte Default Value: **37**

USAGE: This register defines reconnect power-on LED on period (multiples of 80ms). The range is 0 to 255. For example, 10 means $10 \times 80\text{ms} = 0.8$ second.

Discover_LED_Enabled

Size: 1 byte Default Value: **True**

USAGE: This register enable or disable discover LED indicator function. Data type is Boolean.

Set to "True" to enable discover LED support;
Set to "False" to disable discover LED support.

Discover_LED_PIN

Size: 1 byte Default Value: **6**

USAGE: This register defines which GPIO pin the discover LED is connected to. Only GPIO5 and GPIO6 are valid options. For example, 6 means the discover LED is connected to GPIO6.

Discover_LED_GPIO_State

Size: 1 byte Default Value: **0**

USAGE: This register defines the GPIO value which causes the discover LED to turn on. The opposite value is used automatically to turn it off. Only 0 and 1 are valid. For example, 1 means GPIO value "1" causes discover LED to turn on, and GPIO value "0" causes discover LED to turn off.

Discover_LED_On_Period

Size: 1 byte Default Value: **10**

USAGE: This register defines discover LED on period (multiples of 80ms). The range is 0 to 255. For example, 10 means $10 \times 80\text{ms} = 0.8$ second.

Discover_LED_Off_Period

Size: 1 byte Default Value: **10**

USAGE: This register defines discover LED off period (multiples of 80ms). The range is 0 to 255. For example, 10 means 10*80ms = 0.8 second.

Reconnect_LED_Enabled

Size: 1 byte Default Value: **False**

USAGE: This register enables or disables reconnect LED indicator function. Data type is Boolean.
Set to "True" to enable reconnect LED support;
Set to "False" to disable reconnect LED support.

Reconnect_LED_PIN

Size: 1 byte Default Value: **0**

USAGE: This register defines which GPIO pin the reconnect LED is connected to. GPIO3-GPIO6 and GPIO11-GPIO15 are valid options. For example, 6 means the reconnect LED is connected to GPIO6.

Reconnect_LED_GPIO_State

Size: 1 byte Default Value: **0**

USAGE: This register defines the GPIO value which causes the reconnect LED to turn on. The opposite value is used automatically to turn it off. Only 0 and 1 are valid. For example, 1 means GPIO value "1" causes reconnect LED to turn on, and GPIO value "0" causes reconnect LED to turn off.

Reconnect_LED_On_Duration

Size: 1 byte Default Value: **37**

USAGE: This register defines reconnect LED on period (multiples of 80ms). The range is 0 to 255. For example, 10 means 10*80ms = 0.8 second.

Battery_LED_Enabled

Size: 1 byte Default Value: **True**

USAGE: This register enable or disable battery LED indicator function. Data type is Boolean.
Set to "True" to enable battery LED support;
Set to "False" to disable battery LED support.

Battery_LED_PIN

Size: 1 byte Default Value: **5**

USAGE: This register defines which GPIO pin the battery LED is connected to. Only GPIO5 and GPIO6 are valid options. For example, 5 means the discover LED is connected to GPIO5.

Battery_LED_GPIO_State

Size: 1 byte Default Value: **0**

USAGE: This register defines the GPIO value which causes the battery LED to turn on. The opposite value is used automatically to turn it off. Only 0 and 1 are valid. For example, 1 means GPIO value "1" causes battery LED to turn on, and GPIO value "0" causes battery LED to turn off.

Battery_LED_On_Period

Size: 1 byte Default Value: **5**

USAGE: This register defines battery LED on period (multiples of 80ms). The range is 0 to 255. For example, 10 means 10*80ms = 0.8 second.

Battery_LED_Off_Period

Size: 1 byte Default Value: **9**

USAGE: This register defines battery LED off period (multiples of 80ms). The range is 0 to 255. For example, 10 means 10*80ms = 0.8 second.

Battery_LED_Blink_Duration

Size: 2 byte Default Value: **30**

USAGE: This register defines battery LED blink duration (in 1sec). The range is 0 to 5242. For example, 30 means 30 seconds.

Battery_LED_Rest_Duration

Size: 2 byte Default Value: **0**

USAGE: This register defines battery LED rest duration (in 1sec). The range is 0 to 5242. For example, 0 means 0 second.

Battery_LED_Active_Sniff_Mode

Size: 1 byte Default Value: **0x06**

USAGE: This register defines the active sniff mode(s) of battery LED. The range is 0x0 to 0xf. For example, 0x6 means battery LED is active in sniff mode 1 and 2.

Battery_LED_Total_Duration

Size: 1 byte Default Value: **30**

USAGE: This register defines battery LED total duration (in 1sec). The range is 0 to 255. For example, 30 means 30 seconds. Set to 0 to instruct battery LED to work when mouse is in the activated sniff modes.

Battery_LED_Disabled_Before_Connection

Size: 1 byte Default Value: **True**

USAGE: Define whether or not to disable the battery LED before connection is established.

Set to "True" to disable the battery LED before connection;

Set to "False" to disable the battery LED after connection.

Resolution_LED_GPIO_Total

Size: 1 byte Default Value: **0**

USAGE: This register defines the number of GPIO pins to be used to support resolution LED indicators. An integer between 0 and 4 is valid. Set to 0 to disable this function. For example, 4 means 4 GPIO pins will be used to support CPI selection indicator.

Resolution_LED_GPIO_Selection1, Resolution_LED_GPIO_Selection2, Resolution_LED_GPIO_Selection3, Resolution_LED_GPIO_Selection4

Size: 1 byte Default Value: **None**

USAGE: This register defines which GPIO pin to be used for LED indicator of each resolution. The options will be limited in the range of 3-6, 11-15, and each of them will be omitted if a programmable button or the battery/discovery LED has asserted this GPIO. Select "None" to disable this indicator.

Resolution_LED_Setting1

Size: 1 byte Default Value: **0000**

USAGE: This register defines which resolution LED indicators light up when mouse is set to Resolution_Selection_1, in 4-bit big-endian binary. Set to "0000" to disable LED indication for Resolution_Selection_1. For example, "0101" means that the two GPIO pins which are asserted for LED_GPIO_Selection1 and LED_GPIO_Selection3 will output high, while the two GPIO pins which are asserted for LED_GPIO_Selection2 and LED_GPIO_Selection4 will output low.

Resolution_LED_Setting2

Size: 1 byte Default Value: **0000**

USAGE: This register defines which resolution LED indicators light up when mouse is set to Resolution_Selection_2, in 4-bit big-endian binary. Set to "0000" to disable LED indication for Resolution_Selection_2.

Resolution_LED_Setting3

Size: 1 byte Default Value: **0000**

USAGE: This register defines which resolution LED indicators light up when mouse is set to Resolution_Selection_3, in 4-bit big-endian binary. Set to "0000" to disable LED indication for Resolution_Selection_3.

Resolution_LED_Setting4

Size: 1 byte Default Value: **0000**

USAGE: This register defines which resolution LED indicators light up when mouse is set to Resolution_Selection_4, in 4-bit big-endian binary. Set to "0000" to disable LED indication for Resolution_Selection_4.

Resolution_LED_Setting5

Size: 1 byte Default Value: **0000**

USAGE: This register defines which resolution LED indicators light up when mouse is set to Resolution_Selection_5, in 4-bit big-endian binary. Set to "0000" to disable LED indication for Resolution_Selection_5.

Resolution_LED_Setting6

Size: 1 byte Default Value: **0000**

USAGE: This register defines which resolution LED indicators light up when mouse is set to Resolution_Selection_6, in 4-bit big-endian binary. Set to "0000" to disable LED indication for Resolution_Selection_6.

Resolution_LED_Setting7

Size: 1 byte Default Value: **0000**

USAGE: This register defines which resolution LED indicators light up when mouse is set to Resolution_Selection_7, in 4-bit big-endian binary. Set to "0000" to disable LED indication for Resolution_Selection_7.

Resolution_LED_Setting8

Size: 1 byte Default Value: **0000**

USAGE: This register defines which resolution LED indicators light up when mouse is set to Resolution_Selection_8, in 4-bit big-endian binary. Set to "0000" to disable LED indication for Resolution_Selection_8.

Resolution_LED_Setting9

Size: 1 byte Default Value: **0000**

USAGE: This register defines which resolution LED indicators light up when mouse is set to Resolution_Selection_9, in 4-bit big-endian binary. Set to "0000" to disable LED indication for Resolution_Selection_9.

Resolution_LED_Setting10

Size: 1 byte Default Value: **0000**

USAGE: This register defines which resolution LED indicators light up when mouse is set to Resolution_Selection_10, in 4-bit big-endian binary. Set to "0000" to disable LED indication for Resolution_Selection_10.

Resolution_LED_Duration

Size: 1 byte Default Value: **0**

USAGE: This register defines the duration in which the resolution LED indicators work, in 80ms. The range is from 0 to 255. Set to 0 to disable the LED indicator. For example, 30 means the LEDs will be on for 2.4 seconds.

GPIO_state_ON_Resolution_LED

Size: 1 byte Default Value: **0**

USAGE: This register defines the GPIO value which causes the LED to turn on. The opposite value is used automatically to turn it off. Only 0 and 1 are valid. For example, 1 means GPIO value "1" causes LED to turn on, and GPIO value "0" causes LED to turn off.

Resolution_LED_ON_Period

Size: 1 byte Default Value: **0**

USAGE: This register defines LED on period (in 80ms). The range is 0 to 255. The LED on period must not be greater than the LED duration. For example, 10 means 0.8 second.

Resolution_LED_OFF_Period

Size: 1 byte Default Value: **0**

USAGE: This register defines LED off period (in 80ms). The range is 0 to 255. The LED on period must not be greater than the LED duration. For example, 10 means 0.8 second.

Resolution_LED_Blink_On_Connection

Size: 1 byte Default Value: **False**

USAGE: This register defines whether to blink resolution LED after connection is established.
Set to "True" to allow corresponding resolution LED to blink;
Set to "False" to disallow corresponding resolution LED to blink.

Motion Configuration

Report_Protocol

Size: 1 byte Default Value: **Report Mode**

USAGE: This register defines the protocol used upon (re)establishment of connection. Set to "Report mode" or "Boot mode".

Motion_Report_Size

Size: 1 byte Default Value: **12**

USAGE: This register defines the size (bit) of the motion reports sent in report mode (must match SDP record). For example, 12 means the size of motion reports is 12 bit.

XY_Swap

Size: 1 byte Default Value: **False**

USAGE: This register causes the firmware to swap the X/Y readings to accommodate various mounting configurations. Note that X/Y swapping is done prior to X/Y flip. Data type is Boolean.
Set to "True" to enable X/Y swap;
Set to "False" to disable X/Y swap.

X_Flip

Size: 1 byte Default Value: **False**

USAGE: This register causes the firmware flip the X value read from the sensor. Note that flip is done after X/Y swap. Combined with X/Y swap accommodates various physical sensor orientation. Data type is Boolean.
Set to "True" to enable X flip;
Set to "False" to disable X flip.

Y_Flip

Size: 1 byte Default Value: **False**

USAGE: This register causes the firmware flip the Y value read from the sensor. Note that flip is done after X/Y swap. Combined with X/Y swap accommodates various physical sensor orientation. Data type is Boolean.
Set to "True" to enable Y flip;
Set to "False" to disable Y flip.

Z_Selection

Size: 1 byte Default Value: **Mechanical**

USAGE: This register defines which type of scroll is used. For example, mechanical, or optical.

Z_Configuration

Size: 1 byte Default Value: **Z/2**

USAGE: This register defines the step of Z-wheel. For example, Z/2 (for mechanical z-wheel) or Z/4 (for optical z-wheel).

Z_Negate

Size: 1 byte Default Value: **False**

USAGE: This register instructs the firmware to negate the scroll value read from the scroll wheel. Data type is Boolean.
Set to "True" to enable negating scroll;
Set to "False" to disable negating scroll.

X_Scale

Size: 1 byte Default Value: **0**

USAGE: This register scales down the X motion reported by the sensor. Choose one from the options as below:
"0" means to disable scaling;
"1" means to scale down to 1/2;
"2" means to scale down to 1/4;
"3" means to scale down to 1/8;
"4" means to scale down to 1/16.

Y_Scale

Size: 1 byte Default Value: **0**

USAGE: This register scales down the Y motion reported by the sensor. Choose one from the options as below:
"0" means to disable scaling;
"1" means to scale down to 1/2;
"2" means to scale down to 1/4;
"3" means to scale down to 1/8;
"4" means to scale down to 1/16.

Battery Configuration

Battery_Alarm_Power

Size: 1 byte Default Value: **2.2V**

USAGE: Define at which voltage the battery LED will be turned on, in order to indicate low battery-level. The range is 1.8V to 2.5V at step of 0.1V.

Battery_Alarm_Time

Size: 4 bytes Default Value: **125**

USAGE: Define the interval (in 80mS) of mouse detects battery level. The range is 1 to 4,294,967,295. For example, 125 means the interval is 125*80ms = 10 seconds.

Battery_Sleep_Power

Size: 1 byte Default Value: **2.0V**

USAGE: Define at which voltage the battery LED will be shut down. This time, mouse will also be shut down. The range is 1.8V to 2.5V at step of 0.1V.

Sensor Configuration

Max_Resolution

Size: 1 byte Default Value: **3000**

USAGE: This register sets the maximum sensor resolution in count per inch (cpi). For example, 3000 means the maximum sensor resolution is 3000cpi. This register value is fixed and not programmable.

Default_Resolution

Size: 1 byte Default Value: **1250**

USAGE: This register sets the default sensor resolution in count per inch (cpi). The value must be an integral multiple of 250, and be less than or equal to "Max resolution". For example, 750 means the default sensor resolution is 750cpi.

Resolution_Selection_Method

Size: 1 byte Default Value: **Not Support**

USAGE: This register defines the way to input resolution selection.

Set to "Not Support" to disable this feature;

Set to "Hotkey" to select CPI by hotkey.

Resolution_Selection_Total

Size: 1 byte Default Value: **0**

USAGE: This register sets the number of resolution setting stages to be saved, for example, 10 means 10 resolution setting stages will be saved.

Current_Resolution_Selection

Size: 1 byte Default Value: **0**

USAGE: This register sets current mouse resolution from the list of Resolution_Setting index. Set to 0 to implicitly choose the value of "Default resolution". The mouse will save the latest used resolution selection of the user, if applicable, as this index. For example, 1 means the current selection is Resolution_Setting1.

Resolution_Setting1, Resolution_Setting2, Resolution_Setting3, Resolution_Setting4, Resolution_Setting5 Resolution_Setting6, Resolution_Setting7, Resolution_Setting8, Resolution_Setting9, Resolution_Setting10

Size: 1 byte Default Value: **0**

USAGE: This register sets the resolution of each selection (from 1 to 10). The value must be an integral multiple of 250, and be less than or equal to "Max resolution" in Resolution page. Set to 0 to disable this selection. For example, 750 means CPI selection 1 is "750".

SDP Programmable Features

SDP_Service_Name

Size: 64 byte Default Value: **Avago Bluetooth Mouse**

USAGE: This register defines the service name in SDP.

SDP_Service_Name_Length

Size: 1 byte Default Value: **21**

USAGE: This register defines the length of the service name in SDP.

SDP_Service_Description

Size: 16 byte Default Value: **A Mouse**

USAGE: This register defines the service description in SDP.

SDP_Service_Description_Length

Size: 1 byte Default Value: **7**

USAGE: This register defines the length of service description in SDP.

SDP_Provider_Name

Size: 16 byte Default Value: **Avago**

USAGE: This register defines the provider name in SDP.

SDP_Provider_Name_Length

Size: 1 byte Default Value: **5**

USAGE: This register defines the length of provider name in SDP.

SDP_Vendor_ID

Size: 2 byte Default Value: **0**

USAGE: This register defines the vendor ID in SDP, specific for manufacturer.

SDP_Product_ID

Size: 2 byte Default Value: **0**

USAGE: This register defines the product ID in SDP, specific for manufacturer.

SDP_Product_Version

Size: 2 byte Default Value: **0**

USAGE: This register defines the product version in SDP in hexadecimal, with higher byte representing the major version number, and lower byte representing the minor version number. For example 0x0100 means version 1.0, 0x1011 means version 16.17.

BQB-Specific SDP Configuration

HID_Attribute_Length

Size: 1 byte Default Value: **0x9f**

USAGE: Define the HID descriptor list length. For example, HID descriptor list is 09 02 06 35 02 35 00 ..., so the length is 7. This control byte is just for the BQB HID test.

HID_Attribute_Offset

Size: 1 byte Default Value: **0xeb**

USAGE: Define the offset of HID descriptor list. For example, HID descriptor list is 09 02 06 35 02 35 00 ..., so the offset is length from the beginning of SDP information to 09. This control byte is just for the BQB HID test.

EEPROM Configuration

EEPROM_WP_Flag

Size: 1 byte Default Value: **GPIO**

USAGE: Define the way to support EEPROM write protection. If activated, the function will prevent all accidental write operations to EEPROM.

Set to "Not support" to disable EEPROM write protection;

Set to "GPIO" to support EEPROM write protection via GPIO15 (B8/WP);

Set to "TWheel" to support EEPROM write protection via T-wheel pins.

For product information and a complete list of distributors, please go to our web site: www.avagotech.com

Avago, Avago Technologies, and the A logo are trademarks of Avago Technologies in the United States and other countries.

Data subject to change. Copyright © 2005-2010 Avago Technologies. All rights reserved.

AV02-2504EN - July 22, 2010

