

Penta Band Stubby Antenna

Pulse Part Numbers: W1910 / W1911



Features

- Small form factor
- Antenna size W x H (10.4 x 49.0mm)
- Lead free materials
- RoHS Compliant Product
- Connector Type: SMA

Applications

- Penta band EU/US GSM/WCDMA
- Frequency range: 850 / 900 / 1800 / 1900/ 2100 MHz
- M2M Applications

Part Numbers:

P/N	Connector
W1910	SMA(Male)
W1911	RP-SMA(Male)

Electrical specifications @ +25 °C

Note: Electrical characteristics depend on device mechanics.

W1910&W1911 Typical free space performance, measured in test unit mechanics (position1.)

Frequency [MHz]	Max Gain [dBi]	Efficiency [%] / [dB]	Return loss min. [dB]	Impedance [Ω]	Operating Temperature [°C]
824 - 960	1.0 (peak) -0.5 (min)	65 / -1.8 (peak) 50 / -3.0 (min)	-4	50	-40 to +85
1710 - 1990	2.0 (peak) 0.5 (min)	65 / -1.8 (peak) 50 / -3.0 (min)	-6		
1920 - 2170	2.5 (peak) 2.0 (min)	65 / -1.8 (peak) 50 / -3.0 (min)	-6		

Pulse Finland Oy

Takatie 6
90440 Kempele, Finland
Tel: +358 207 935 500
Fax: +358 207 935 501
www.pulseeng.com/antennas

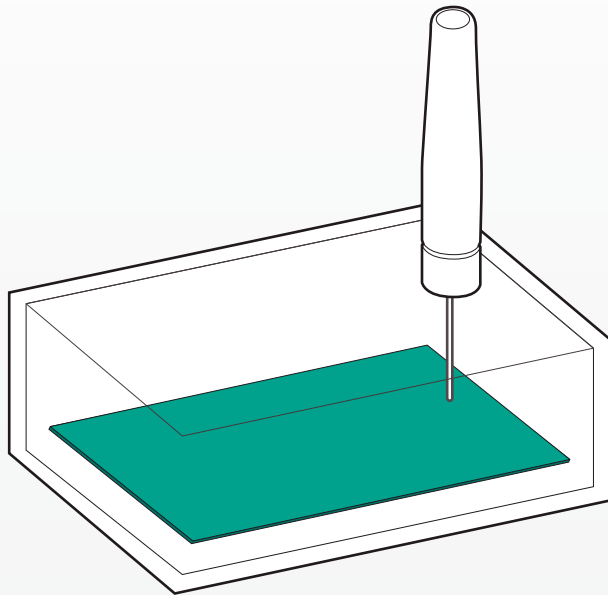


© 2010. All Rights Reserved.

Penta Band Stubby Antenna

Pulse Part Numbers: W1910 / W1911

Test Unit and Antenna Mounting Position 1



Ground Plane Size: 70mm(L) x 50mm(W) x 1mm(T)

Pulse Finland Oy

Takatie 6
90440 Kempele, Finland
Tel: +358 207 935 500
Fax: +358 207 935 501
www.pulseeng.com/antennas



© 2010. All Rights Reserved.

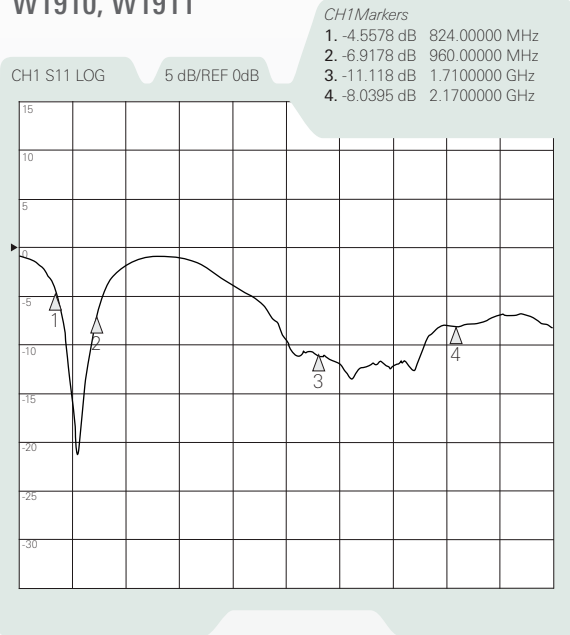
Penta Band Stubby Antenna

Pulse Part Numbers: W1910 / W1911

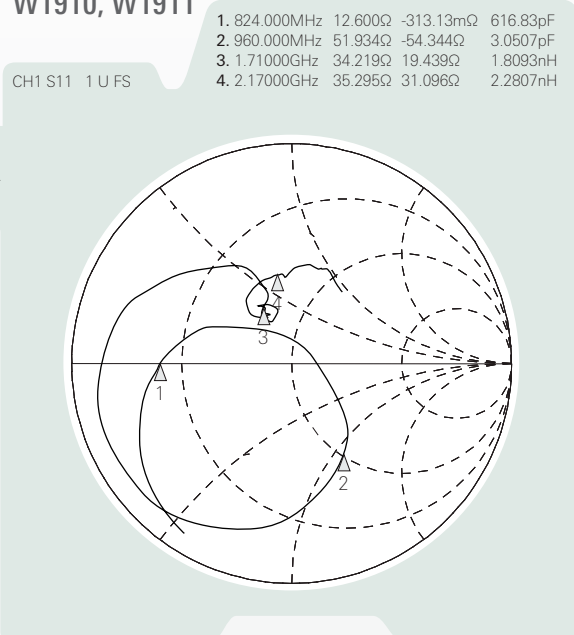
Typical Electrical Characteristics (T=25 °C)

Typical free space performance, measured in test unit mechanics with 150mm feed cable (position1.)

W1910, W1911

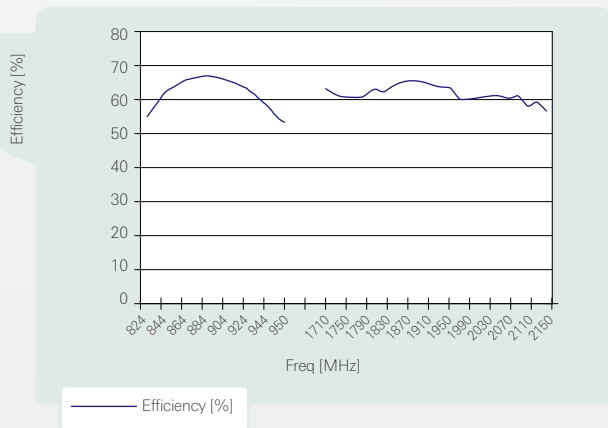


W1910, W1911



Free Space Efficiency and Maximum Gain

W1910 Efficiency



W1910 Max Gain



Pulse Finland Oy

Takatie 6
 90440 Kempele, Finland
 Tel: +358 207 935 500
 Fax: +358 207 935 501
www.pulseeng.com/antennas



© 2010. All Rights Reserved.

Penta Band Stubby Antenna

Pulse Part Numbers: W1910 / W1911

Typical Free space Radiation Patterns

Patterns measured in test unit mechanics (position1.)

