

# 1.575 GHz Helical GPS SMD Antenna

Ground cleared under antenna, clearance area 7.50 x 5.50 mm

*Pulse Part Number: W3110*



## Features

- Low profile (5.5 mm)
- Compact size WxLxH (5.0 x 2.5 x 5.5 mm)
- Low weight (170 mg)
- Lead free materials
- Fully SMD compatible
- Lead free soldering compatible
- Tape and reel packing
- RoHS Compliant Product

## Applications

- 1.575 GHz L1 band GPS receivers

*Engineering samples available*

## Electrical specifications @ +25 °C

*Note: Electrical characteristics depend on test board (GP) size and antenna positioning on GP and Ground Clearance area size.*

## 1.575 GHz GPS

Typical performance (test board size 80 x 37 mm, PWB ground clearance area 7.50 x 5.50 mm)

Antenna measured on the test PWB with plastic covers and with matching circuit. Antenna location: top corner, left.

Frequency Range [MHz]	RHCP Gain [dBic]	Linear Max Gain [dBi]	Efficiency [%] / [dB]	Return loss min. [dB]	Impedance [Ω]	Operating Temperature [°C]
1575.42 +/- 10	-2.1 (Peak) -2.4 (Band edges)	1.3 (Peak) 0.7 (Band edges)	47 / -3.3 (Peak) 43 / -3.7 (Band edges)	-16	50	-40 to +85

### Pulse Finland Oy

Takatie 6  
90440 Kempele, Finland  
Tel: +358 207 935 500  
Fax: +358 207 935 501  
[www.pulseeng.com/antennas](http://www.pulseeng.com/antennas)

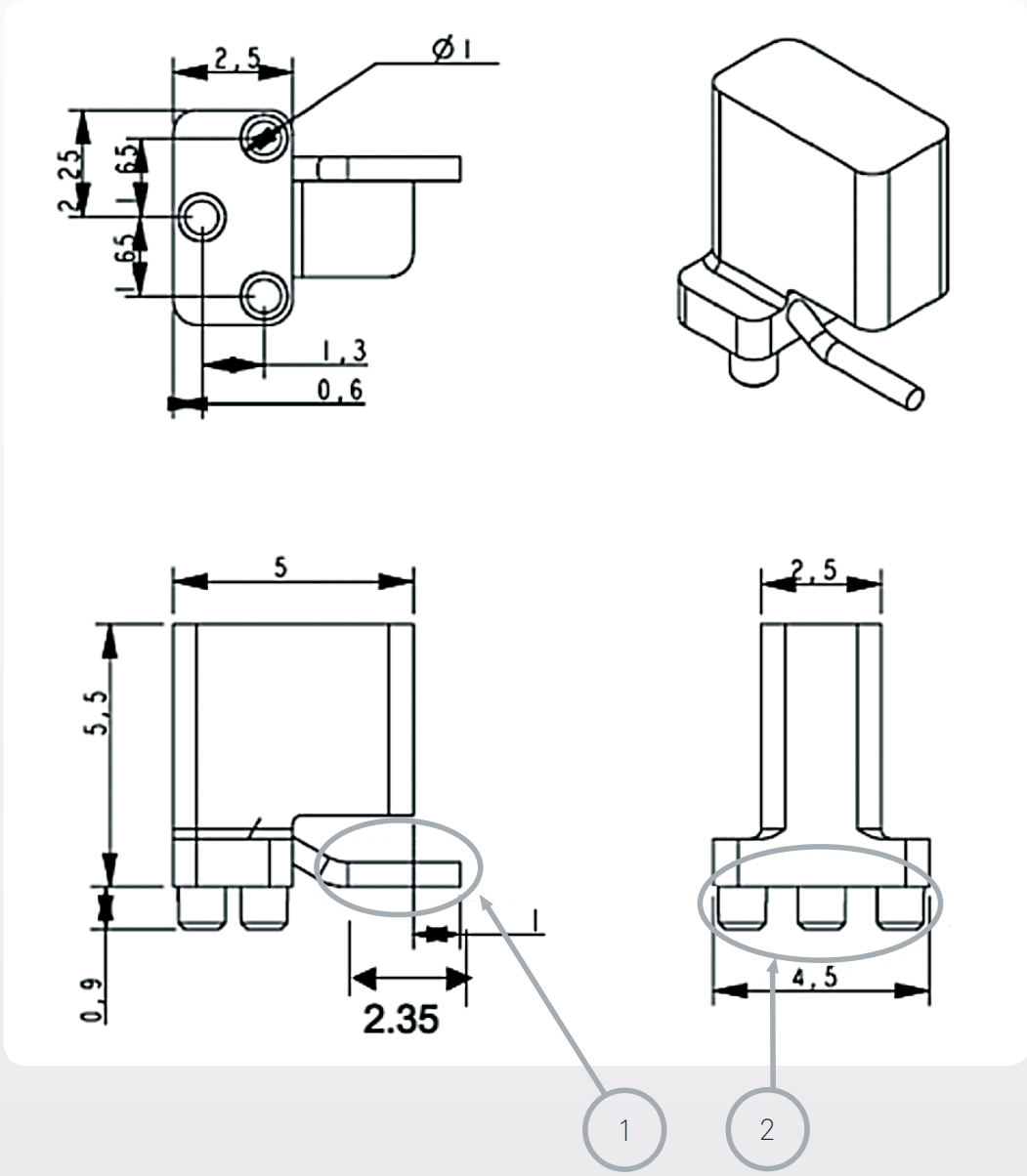


© 2007. All Rights Reserved.

# 1.575 GHz Helical GPS SMD Antenna

Ground cleared under antenna, clearance area 7.50 x 5.50 mm

## Terminal Configuration



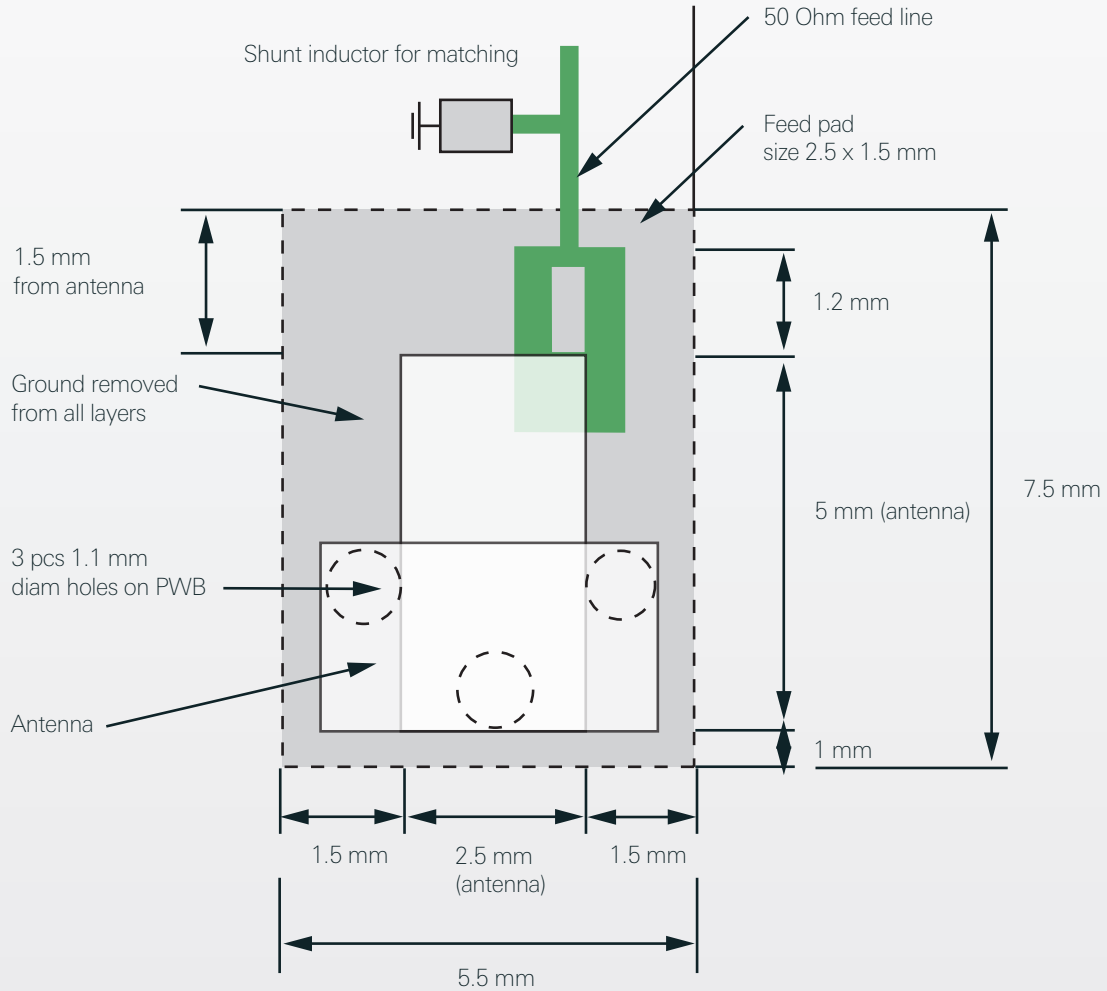
No.	Terminal Name	Terminal Dimensions
1	Feed	0.50 mm diameter Sn plated wire, planar soldering area length 2.35 mm
2	Mechanical support studs	1.00 mm diam, length 0.90 mm

# 1.575 GHz Helical GPS SMD Antenna

Ground cleared under antenna, clearance area 7.5 x 5.50 mm

## Recommended test board layout for electrical characteristic measurement, test board outline size 100 x 40 mm

Feed line should be designed to match 50 Ω characteristic impedance, depending on PWB material and thickness.



Matching and tuning component values depend on application and surrounding mechanics / materials.

### Pulse Finland Oy

Takatie 6  
90440 Kempele, Finland  
Tel: +358 207 935 500  
Fax: +358 207 935 501  
[www.pulseeng.com/antennas](http://www.pulseeng.com/antennas)



© 2007. All Rights Reserved.

# 1.575 GHz Helical GPS SMD Antenna

Ground cleared under antenna, clearance area 7.50 x 5.50 mm

## Typical Electrical Characteristics (T=25 °C)

Antenna measured on the test PWB with plastic cover. Shunt and series inductors used for matching.



## Typical Return Loss S11/ impedance

### GPS ANTENNA

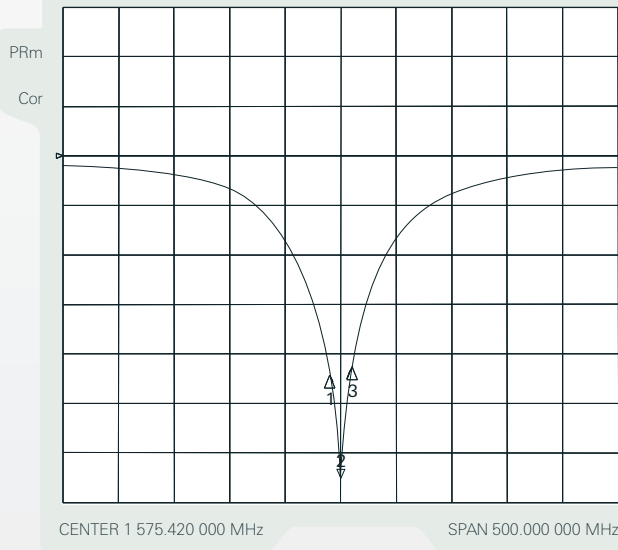
24 Aug 2006 08:44:11

CH1 Markers

1. -17.512 dB 1.56500 GHz
2. -32.040 dB 1575.420000 MHz
3. -16.539 dB 1.58500 GHz

CH1 S11 LOG

5 dB/REF 0 dB



### GPS ANTENNA

24 Aug 2006 08:45:11

CH1 Markers

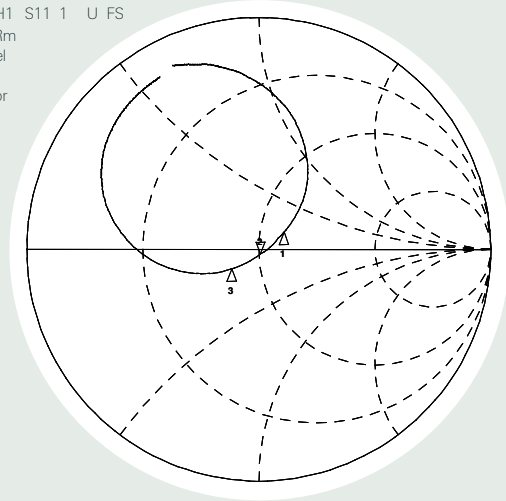
- |             |           |              |
|-------------|-----------|--------------|
| 1. 61.484 Ω | 9.2539 Ω  | 1. 56500 GHz |
| 2. 50.723 Ω | -2.2129 Ω | 45.652 pF    |
| 3. 39.158 Ω | -6.7695 Ω | 1. 58500 GHz |

CH1 S11 1 U FS

PRm

Del

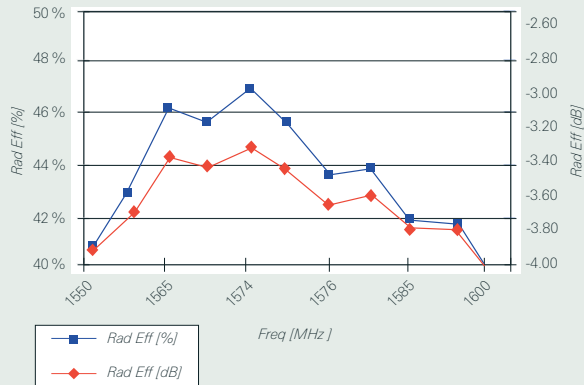
Cor



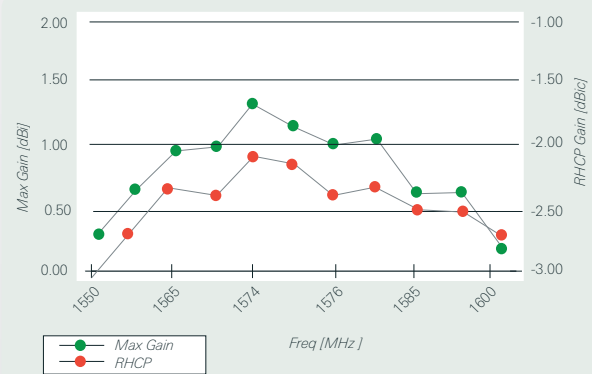
## Free space efficiency and maximum gain

PWB ground clearance area 7.50 x 5.50 mm

### GPS 5.5 mm Helical Antenna



### GPS 5.5 mm Helical Antenna



Pulse Finland Oy

Takatie 6

90440 Kempele, Finland

Tel: +358 207 935 500

Fax: +358 207 935 501

[www.pulseeng.com/antennas](http://www.pulseeng.com/antennas)



© 2007. All Rights Reserved.

# 1.575 GHz Helical GPS SMD Antenna

Ground cleared under antenna, clearance area 7.50 x 5.50 mm

## Typical Free Space Radiation Patterns

