

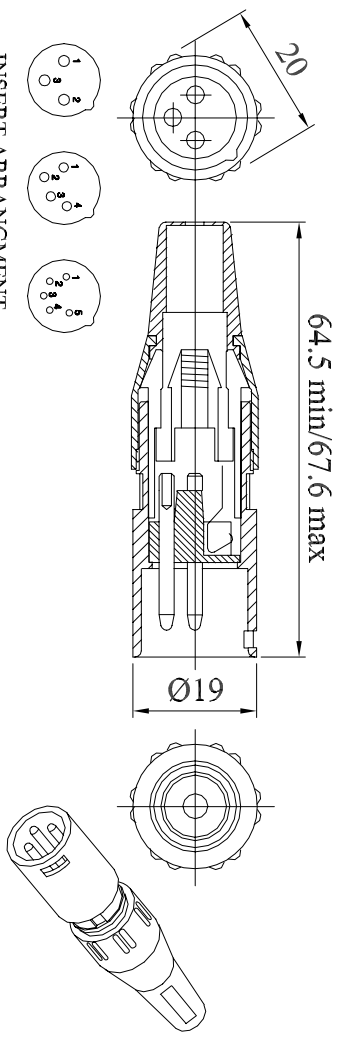
A range of audio and video connectors incorporating many innovative features. Assembly and disassembly is screwless and is achieved by a few turns of the back shell.

- Available in satin nickel or matt black finish, with silver gold plated contacts.
- The strain relief collet ensures a positive cable grip.
- Generous solder buckets enable easier cable assembly as well as catering for larger conductor sizes.

-A range of coloured plastic coding rings is also available, each with a single number moulded in, offering a quick and easy system of channel identification.

**(Note: these connectors are not suitable for mains applications)**

Dimensions



Deltron Part No	Silver Contacts		Gold Contacts	
	Nickel	Black	Nickel	Black
3-Way	801-0300	805-0300	803-0300	807-0300
4-Way	801-0400	805-0400	803-0400	807-0400
5-Way	801-0500	805-0500	803-0500	807-0500

<b>Mechanical Properties</b>	Chuck and screw collar Ø 2.8mm to Ø 8.0mm Zinc high pressure diecasting satin nickel or black chrome Valox DR48
<b>Cable retention</b>	Brass, 3 microns silver anti-tarnish finish or 0.5 microns gold P.V.C. (black)
<b>Cable range</b>	Santoprene (UL 94 HB) Acetal (UL 94 HB) Polycarbonate, 10% glass-filled Lexan, black
<b>Housing</b>	Spring Steel, 3 microns silver anti-tarnish
<b>Contact base</b>	Spring on coloured rings Acetal (UL 94 HB)
<b>Contacts</b>	Black, Brown, Red, Orange, Yellow, Green, Blue, Violet, Grey, White
<b>Strain Relief</b>	-30°C to +80°C
<b>Sealing ring</b>	20N
<b>Chuck</b>	10N
<b>Screw collar</b>	5000
<b>Screen</b>	
<b>Interchangeable Connector ident</b>	
<b>Ident options</b>	
<b>Operating Temp</b>	
<b>Insertion force</b>	
<b>Withdrawal force</b>	
<b>Min No. insertions</b>	
<b>Electrical Properties</b>	
<b>Number of contacts</b>	3, 4 or 5
<b>Rated current per contact</b>	16, 10 or 7.5 Amps
<b>Maximum wire size (solid)</b>	14, 14 or 14 AWG
<b>Cap. Between contacts</b>	2.5, 2.5, 2.5 mm <sup>2</sup>
<b>Rated voltage</b>	4, 7 or 7 pF
<b>Test voltage</b>	250 Volts ac
<b>Contact resistance</b>	1500 Volts ac
<b>Insulation resistance</b>	3m Ω
	1G Ω

CONVERTED FROM PS858 ISS2 (23.09.02) IN JAN 2003

DrqNo 801-805-803-807 TITLE PROFESSIONAL QUALITY (8000 SERIES)-CABLE PLUG ALL DIMENSIONS IN MM ANGLES IN DECIMAL DEGREES

**DELTRON Components** **GENERAL SPECIFICATION FOR MULTIPOLE CONNECTOR**

© Deltron Emcon Limited, E-Mail components@deltron-emcon.com, Website www.deltron-emcon.com Phone +44 1724 273200 Fax +44 1724 270230

**DELTRON** **Emcon**

