

A fully screened robust range of DIN connectors for use in instrumentation and audio applications. Available in two finishes; bright nickel and non-reflective electrically conductive matt black. Robust construction incorporating cable grip and strain relief.

Manufactured to DIN 41524, 45322, 45326, 45327 and 45329.

**MATERIALS HOUSING**

: Zinc Alloy  
heavy nickel plated  
over copper

**MOULDING CONTACTS**

: Nylon  
: Brass

**CABLE CLAMP**

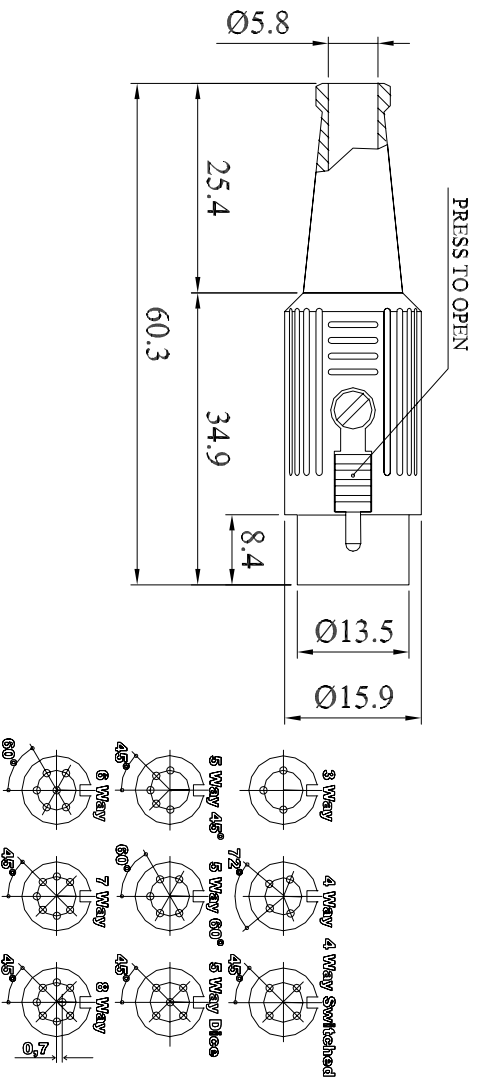
: Silver Plated  
: Mild Steel  
zinc plated  
: Black P. V. C.

**GROMMET**

**ELECTRICAL RATINGS**

Working Voltage : 100 Vd.c. or a.c. peak  
Test Voltage : 1000 Vd.c.  
Insulation Resist. : 10<sup>11</sup> Ω min at 100 Vd.c.  
Current Rating : 4 A  
Contact Resist. : 10 m Ω max  
Capacity (mated) : 3 pF  
Temp. Range : -25°C to +70°C

**Dimensions**



Type	Deltron No
3 Way	590-0300
4 Way	590-0400
4 Way Switched	590-0410
5 Way 45°	590-0500
5 Way 60°	590-0510
5 Way Dice	590-0520
6 Way	590-0600
7 Way	590-0700
8 Way	590-0800

CONVERTED FROM PS0458 ISS4 (08.07.96) IN JAN 2003

DrngNo 590 SERIES TITLE SCREENED DIN CONNECTOR LOCKABLE PLUG (NICKEL)

ALL DIMENSIONS IN MM  
ANGLES IN DECIMAL DEGREES



ES 4

GENERAL SPECIFICATION FOR 590 SERIES

CUSTOMER

FILTER REF

Aprvd Date 10/02/03

Aprvd By MC

Drwn by BFS

Scale: NTS

Sheet 1 / 1

Phone +44 1724 273200

Fax +44 1724 270230

DELTRON

