



PRODUCT SPECIFICATION

PROFESSIONAL PANEL SOCKET (443 RANGE)

Sheet No. **PS 0461**

Date : 01.09.94

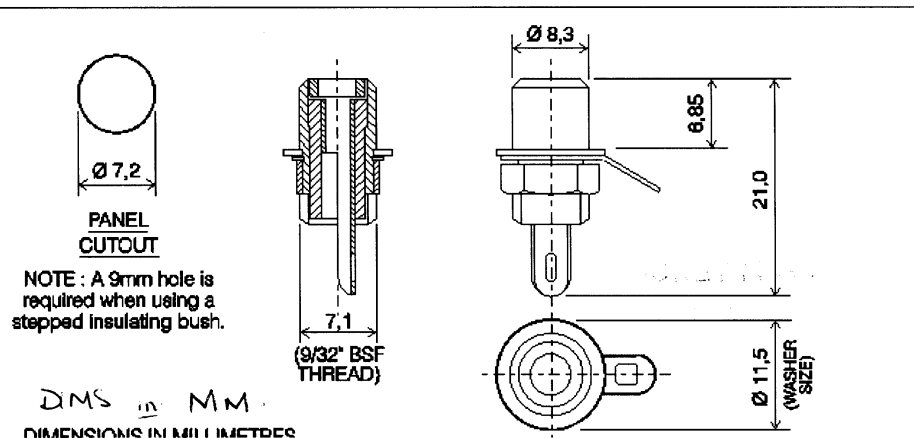
Issue No. 3 (17.03.97)

Sheet 1 of 1

Signature

Deltron Part No.	NICKEL	GOLD
BLACK	431-0100	432-0100
RED	431-0500	432-0500

Dimensions



DIMENSIONS IN MILLIMETRES

Description

A turned brass single nut fixing panel socket available in nickel or gold plated finish. A choice of red or black insulator is useful for identification purposes.

- single nut fixing makes these adaptable sockets suitable for stacking adjacent to one another.
- thermoplastic insulated.
- maximum panel thickness 3mm.
- mounting hole 7,2mm diameter.
- a panel isolating kit is also available (comprising of a plain and stepped washer).

Features**MATERIAL**

HOUSING	: Brass gold flash (0,05mm) or nickel plate
SOCKET	: Brass silver plate
INSULATION NUT	: Acetal : Brass gold flash (0,05mm) or nickel plate
SOLDER TAG	: Brass gold flash (0,05mm) or tin lead plate
WASHER	: Noryl, black or red
RATINGS	5 Amps at 200 Vdc / 150 Vac max
INSULATION RESISTANCE	100 M Ω at 500 Vdc

Request A Product Sample

This website is copyright Deltron Emcon 2001©
if you have any comments or suggestions please contact
sales@deltron-emcon.com