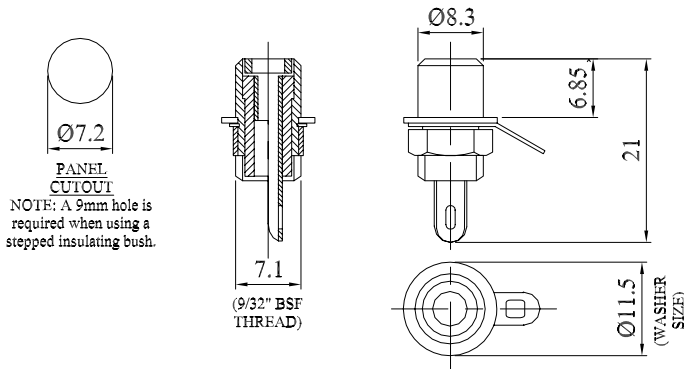


A turned brass single nut fixing panel socket available in nickel or gold plated finish. A choice of red or black insulator is useful for identification purposes.

- Single nut fixing makes these adaptable sockets suitable for stacking adjacent one another.
- Thermoplastic insulated.
- Maximum panel thickness 3mm
- Mounting holes 7.2mm diameter.
- A panel isolating kit is also available (comprising of a pain and stepped washer).

Material	
Housing	Brass gold flash (0.05m) or nickel plate
Socket	Brass, silver plated
Insulation	Acetal
Nut	Brass, Gold flash (0.05m) or nickel plate
Solder tag	Brass, Gold flash (0.05m) or tin lead plate
Washer	Noryl, black or red
Ratings	5 Amps at 200 Vdc/150 Vac max
Insulation Resistance	100MΩ at 500 Vdc

Dimensions



Deltron Part No	NICKEL	GOLD
BLACK	431-0100	432-0100
RED	431-0500	432-0500

CONVERTED FROM PS0461 ISS3 (17.03.97) IN JAN 2003

DrgNo 431-432	TITLE PROFESSIONAL PANEL SOCKET (443 RANGE)	ALL DIMENSIONS IN MM ANGLES IN DECIMAL DEGREES
	ISSUE 3 GENERAL SPECIFICATION FOR 431-432	CUSTOMER
		FILTER REF
© Deltron Emcon Limited E-Mail components@deltron-emcon.com, Website www.deltron-emcon.com. Phone +44 1724 273200 Fax +44 1724 270230		Aprvd Date 27/01/03 Aprvd By MC Drwn by BFS Scale: NTS Sheet 1 / 1

