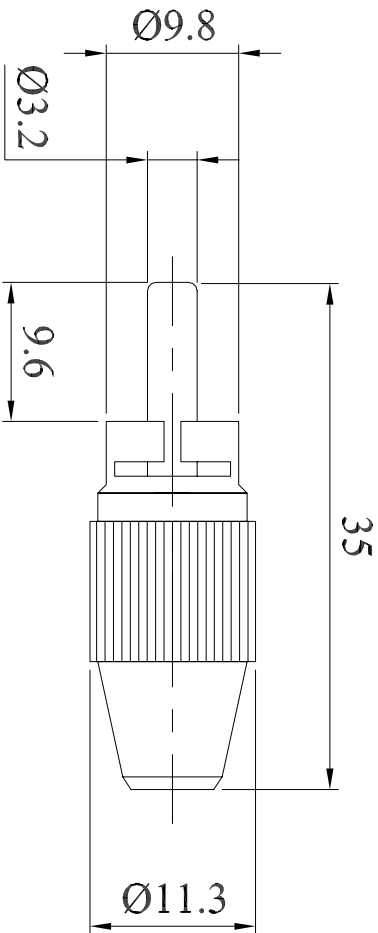


A range of plugs that are available in two pin styles; hollow or solid. The plug incorporates a unique 'T' slot design which allows the interconnection between non-standard sockets. A rigid acetal cap is offered in two colours, red or black.

- Ground contact with unique 'T' shape slots for maximum contact area.
- Internal cable clamp for secure cable connection.
- Maximum cable size 4.1mm.
- Two colours available; black or red.

Dimensions



Deltron Part No	
413-000	414-0000
415-0000	416-0000

PIN STYLE	COLOR	DELTRON PART NO
HOLLOW PIN	BLACK	413-0100
	RED	413-0500
NICKEL	BLACK	414-0100
	RED	414-0500
SOLID PIN	BLACK	415-0100
	RED	415-0500
GOLD	BLACK	416-0100
	RED	416-0500

- Material : Brass,
- Centre contact : Silver plated
- Ground contact : Brass,
- Insulation : Nickel plated
- Cable clamp : Noryl, SE1 UL94 V-1
- Spring : Brass,
- Body : Silver plated
- Cap : Brass,
- : Nickel plated
- : Brass,
- : Nickel plated
- : Acetal, UL 94 HB

Insulation resistance : 100M Ω at 500 Vdc

Ratings : 5 Amps at 200 Vdc
150 Vac max.

CONVERTED FROM PS0466 ISS4 (01.07.94) IN JAN 2003

DrqNo 413-414-415-416

TITLE STANDARD PHONO PLUG WITH INSULATED HOUSING

ALL DIMENSIONS IN MM
ANGLES IN DECIMAL DEGREES



ES 4

GENERAL SPECIFICATION FOR 413-414-415-416

CUSTOMER

Aprvd Date 03/02/03

Aprvd By MC

Drwn by BS

Scale: NTS

Sheet 1 / 1

