



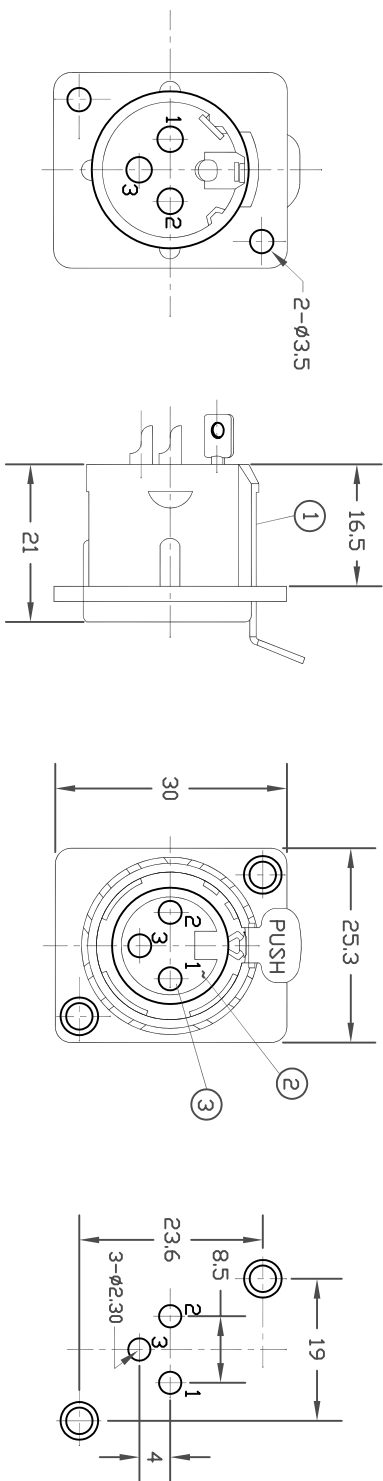
SPC
TECHNOLOGY

ALL RIGHTS RESERVED. NO PORTION OF THIS PUBLICATION, WHETHER IN WHOLE OR IN PART CAN BE REPRODUCED WITHOUT THE EXPRESS WRITTEN CONSENT OF SPC TECHNOLOGY.

SPC-F005.DWG

REVISIONS

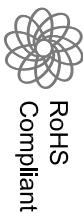
DCP #	REV	DESCRIPTION	DRAWN	DATE	CHECKD	DATE	APPRVI	DATE
XX	XX	XXXX	XXXX	28-08-08	XXXX	28-08-08	XXXX	28-08-08
XXXX	XXXX		XXXX	28-08-08	XXXX	28-08-08	XXXX	28-08-08



Notes:

'X' in Part Number denotes Housing Finish: N - Nickel; B - Black

ITEM	PART	QTY	MATERIAL/FINISH
1	HOUSING	1	ZINC DIE CAST; NICKEL OR BLACK PLATED
2	INSERT INSULATOR	1	PPT; BLACK
3	SOCKET	3	PHOSPHOR COPPER; SILVER PLATED



RoHS
Compliant

DISCLAIMER:

ALL STATEMENTS AND TECHNICAL INFORMATION CONTAINED HEREIN ARE BASED UPON INFORMATION AND/OR TESTS WE BELIEVE TO BE ACCURATE AND RELIABLE. SINCE CONDITIONS OF USE ARE BEYOND OUR CONTROL, THE USER SHALL DETERMINE THE SUITABILITY OF THE PRODUCT FOR THE INTENDED USE AND ASSUME ALL RISK AND LIABILITY WHATSOEVER IN CONNECTION THEREWITH.

TOLERANCES:

UNLESS OTHERWISE SPECIFIED, DIMENSIONS ARE FOR REFERENCE PURPOSES ONLY.

DRAWN BY:	DATE:
XXXX	28-08-08
CHECKED BY:	DATE:
XXXX	28-08-08
APPROVED BY:	DATE:
XXXX	28-08-08

DRAWING TITLE:

XLR RECEPTACLE

SIZE	DWG. NO.	ELECTRONIC FILE	REV
A	SPC24106	14N8166	XX
SCALE:	NTS	U.D.M.: INCHES [mm]	SHEET: 1 OF 1



SPC
TECHNOLOGY

ALL RIGHTS RESERVED. NO PORTION OF THIS PUBLICATION, WHETHER IN WHOLE OR IN PART CAN BE REPRODUCED WITHOUT THE EXPRESS WRITTEN CONSENT OF SPC TECHNOLOGY.
SPC-F005.DWG

REVISONS		DOC. NO.	SPC-F005	*	Effective: 7/8/02	*	DCP No: 1398	
DCP #	REV	DESCRIPTION	DRAWN	DATE	CHECKD	DATE	APPRVI	DATE
XX	XX	XXXX	XXXX	28-08-08	XXXX	28-08-08	XXXX	28-08-08
XXXX	XXXX		XXXX	28-08-08	XXXX	28-08-08	XXXX	28-08-08

SPECIFICATIONS:

ELECTRICAL:

CONTACT RATING : 15A @ 125VAC
 CONTACT RESISTANCE : 5 MILLIOMHS MAX.
 INSULATION RESISTANCE : 5000 MEGOHMS MIN. @ 500VDC
 DIELECTRIC STRENGTH : 1400 VAC
 CAPACITANCE : 4PF MAX.

MECHANICAL:

INSERTION FORCE : 1.0 - 8.0 KG
 WITHDRAWAL FORCE : 1.0 - 8.0 KG

ENVIRONMENTAL:

OPERATING TEMPERATURE : -55°C TD +70°C



RoHS
Compliant

DISCLAIMER:
 ALL STATEMENTS AND TECHNICAL INFORMATION CONTAINED HEREIN ARE BASED UPON INFORMATION AND/OR TESTS WE BELIEVE TO BE ACCURATE AND RELIABLE. SINCE CONDITIONS OF USE ARE BEYOND OUR CONTROL, THE USER SHALL DETERMINE THE SUITABILITY OF THE PRODUCT FOR THE INTENDED USE AND ASSUME ALL RISK AND LIABILITY WHATSOEVER IN CONNECTION THEREWITH.

TOLERANCES:
 UNLESS OTHERWISE SPECIFIED, DIMENSIONS ARE FOR REFERENCE PURPOSES ONLY.

DRAWN BY:	DATE:	28-08-08
CHECKED BY:	DATE:	28-08-08
APPROVED BY:	DATE:	28-08-08

DRAWING TITLE:		XLR RECEPTACLE	
SIZE	DWG. NO.	ELECTRONIC FILE	REV
A	SPC24106	14N8166	XX
SCALE:	NTS	U.D.M.: INCHES [mm]	SHEET: 1 OF 1