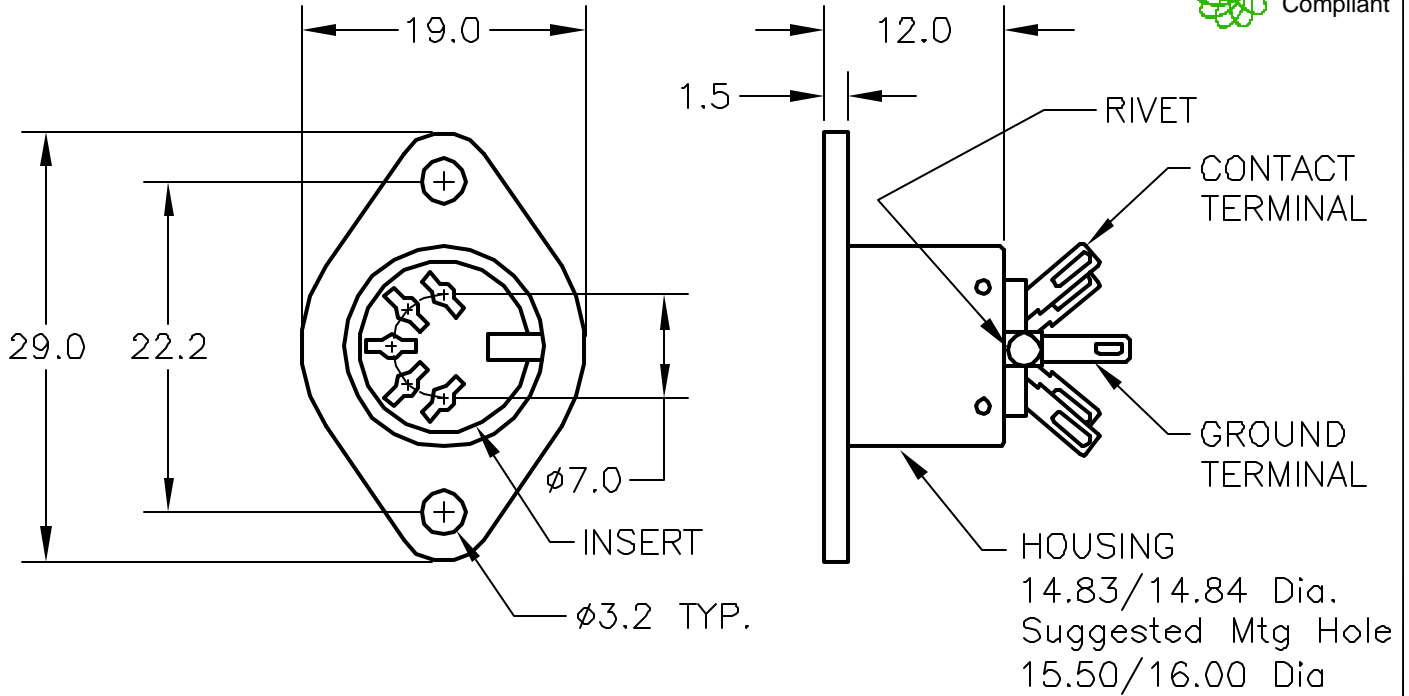


ALL RIGHTS RESERVED. NO PORTION OF THIS PUBLICATION, WHETHER IN WHOLE OR IN PART CAN BE REPRODUCED WITHOUT THE EXPRESS WRITTEN CONSENT OF SPC TECHNOLOGY.

| REVISIONS |     |             | DDC. NO. SPC-F004 * Effective: 12/21/98 * DCP No: 680 |          |        |          |        |          |
|-----------|-----|-------------|---|----------|--------|----------|--------|----------|
| DCP #     | REV | DESCRIPTION | DRAWN   | DATE     | CHECKD | DATE     | APPRVD | DATE     |
| 1937      | A   | RELEASED    | JN  | 10/28/08 | JWM    | 10/28/08 | JWM    | 10/28/08 |



| DESCRIPTION      | MATERIAL               | FINISH          |
|------------------|------------------------|-----------------|
| RIVET            | ALUMINUM               | NICKEL PLATED   |
| CONTACT TERMINAL | 0.7MM BRASS            | TIN/LEAD PLATED |
| GROUND TERMINAL  | 0.25MM PHOSPHOR BRONZE | TIN/LEAD PLATED |
| INSERT           | PBT, UL94V-0           | -               |
| HOUSING          | 0.4MM STEEL            | NICKEL PLATED   |

## SPECIFICATIONS

### MECHANICAL

INSERTION FORCE: 1.0 - 4.5 Kg  
 WITHDRAWAL FORCE: 0.8 - 3.0 Kg  
 LIFE: 5000 CYCLES

### ELECTRICAL

CONTACT RATING: 1A @ 100VAC, 2A @ 12VDC  
 CONTACT RESISTANCE: 30 MILLIOHMS MAX.  
 INSULATION RESISTANCE: 50 MEGOHMS MIN. AT 250VDC  
 DIELECTRIC STRENGTH: 250VAC FOR 60 SECONDS

SPC-F004.DWG

**DISCLAIMER:**  
 ALL STATEMENTS AND TECHNICAL INFORMATION CONTAINED HEREIN ARE BASED UPON INFORMATION AND/OR TESTS WE BELIEVE TO BE ACCURATE AND RELIABLE. SINCE CONDITIONS OF USE ARE BEYOND OUR CONTROL, THE USER SHALL DETERMINE THE SUITABILITY OF THE PRODUCT FOR THE INTENDED USE AND ASSUME ALL RISK AND LIABILITY WHATSOEVER IN CONNECTION THEREWITH.



**SPC TECHNOLOGY**

UNLESS OTHERWISE SPECIFIED, DIMENSIONS ARE FOR REFERENCE PURPOSES ONLY.

|              |          |
|--------------|----------|
| DRAWN BY:    | DATE:    |
| Jason Nash   | 10/28/08 |
| CHECKED BY:  | DATE:    |
| JWM          | 10/28/08 |
| APPROVED BY: | DATE:    |
| JWM          | 10/28/08 |

DRAWING TITLE:

**DIN RECEPTACLE**

SIZE DWG. NO.

**A**

**SPC21460**

ELECTRONIC FILE

**11M0655.DWG**

REV

**A**

SCALE: NTS

U.O.M.: mm

SHEET: 1 OF 1