



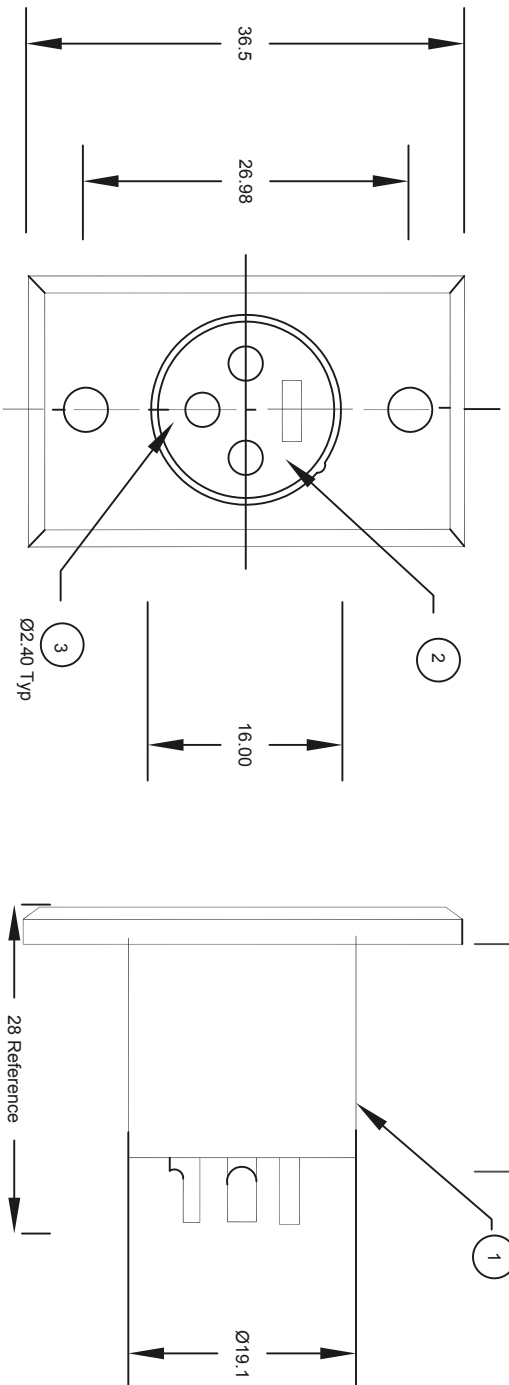
SPC  
TECHNOLOGY

ALL RIGHTS RESERVED. NO PORTION OF THIS PUBLICATION, WHETHER IN WHOLE OR IN PART CAN BE REPRODUCED WITHOUT THE EXPRESS WRITTEN CONSENT OF SPC TECHNOLOGY.  
SPC-F005.DWG

REVISIONS

DCP #	REV	DESCRIPTION	DRAWN	DATE	CHECKD	DATE	APPRVD	DATE
			VEE	03-08-10	JAG	04-08-10	XXX	17-08-10

DOC. NO. SPC-F005 \* Effective: 7/8/02 \* DCP No: 1398



Ø3.45 Hole thru  
(2 plcs)

Dimensions : Millimeters

Electrical Specifications:

- Contact rating : 15A @125 VAC
- Contact resistance : 5 milliohms maximum
- Insulation resistance : 5000 Megohms minimum at 500 VDC
- Dielectric strength : 1400 VACV
- Capacitance : 4pF maximum

Mechanical Specifications:

- Insertion force : 1.0 to 8.0kg
- Withdrawal force : 1.0 to 8.0kg

Environmental Specifications:

- Operating temperature : -55°C to 70°C

TOLERANCES:

UNLESS OTHERWISE SPECIFIED, DIMENSIONS ARE FOR REFERENCE PURPOSES ONLY.

DRAWN BY: DATE: 03-08-10

VEE

CHECKED BY: DATE: 04-08-10

JAG

APPROVED BY: DATE: 17-08-10

XXX

DRAWING TITLE:

Male XLR Type Audio Receptacle

SIZE DWG. NO. XXX

XXX

SCALE: NTS

U.O.M.: INCHES [mm]

ELECTRONIC FILE

84N1104

REV

A

SHEET: 1 OF 1

Item	Part	Material/Finish
1	Housing	Zinc Die Cast, Nickel Plated
2	Insert Insulator	PP0-1, UL 94V-0, Gray
3	Pin	Brass, Silver Plated

Part Number Table

Description	Part Number
Male XLR Type Audio Receptacle	SPC21426

DISCLAIMER:  
ALL STATEMENTS AND TECHNICAL INFORMATION CONTAINED HEREIN ARE BASED UPON INFORMATION AND/OR TESTS WE BELIEVE TO BE ACCURATE AND RELIABLE. SINCE CONDITIONS OF USE ARE BEYOND OUR CONTROL, THE USER SHALL DETERMINE THE SUITABILITY OF THE PRODUCT FOR THE INTENDED USE AND ASSUME ALL RISK AND LIABILITY WHATSOEVER IN CONNECTION THEREWITH.