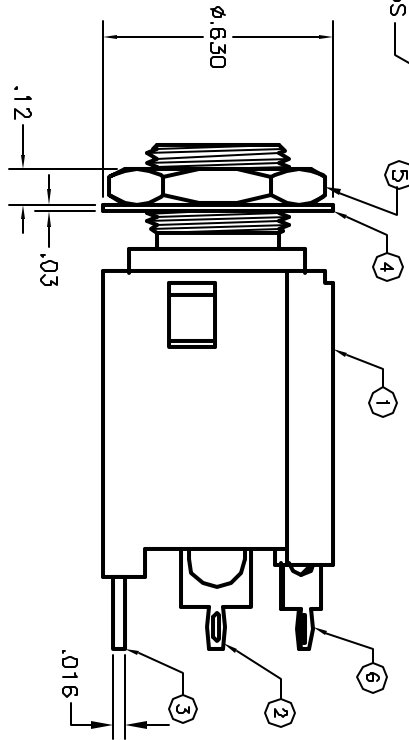
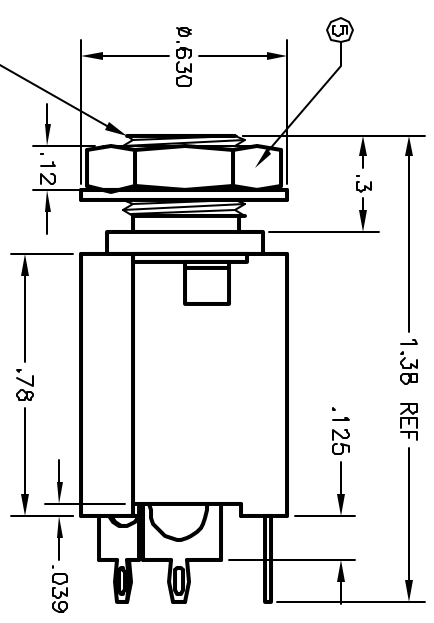
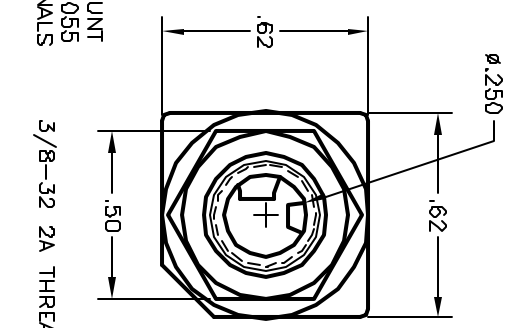
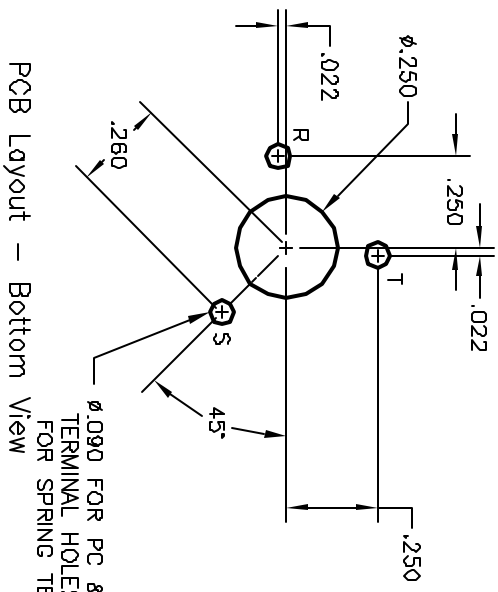


ALL RIGHTS RESERVED. NO PORTION OF THIS PUBLICATION, WHETHER IN WHOLE OR IN PART, CAN BE REPRODUCED WITHOUT THE EXPRESS WRITTEN CONSENT OF SPC TECHNOLOGY.

SPC-P006.DWG

REVISONS		DWG. NO.	SPC-P006	Effective	7/8/02	DWG. NO.	SPC-P006	Effective	7/8/02
DWG #	REV	DESCRIPTION	RELEASED	DRAWN	DATE	CHECKED	DATE	APPROVD	DATE
1937	A			JWM	8/21/02	JN	04/23/08	JN	04/23/08



Specifications

ELECTRICAL
 Contact rating: 0.25A at 48VDC
 Contact Resistance: 20 milliohms Max. Initially, 50 milliohms Max. After life
 Insulation Resistance: 50,000 Megohms Min. at 500VDC
 Dielectric Strength: 500VAC for One Minute

MECHANICAL
 Insertion Force: 0.5 to 3.0 kg
 Withdrawal Force: 0.5 to 3.0 kg
 Operating Life: 10,000 cycles

ENVIRONMENTAL
 Operating Temperature: -40°C to 80°C

PANEL MOUNTING HOLE



TOLERANCES:

UNLESS OTHERWISE SPECIFIED, DIMENSIONS ARE FOR REFERENCE PURPOSES ONLY.

DRAWN BY: Jeff McVicker

CHECKED BY: Jason Nash

APPROVED BY: Jason Nash

DATE: 8/21/02

DATE: 04/23/08

DATE: 04/23/08

DRAWING TITLE:

Three-Conductor Enclosed Phone Jack

Schematic	Item	Description	Material/Finish
	1	HOUSING	ABS/Brass - Nickel Plated
	2	RING SPRING	Bronze - Tin Plated
	3	TIP SPRING	Bronze - Tin Plated
	4	WASHER	Brass, Nickel Plated
	5	HEX NUT	Brass, Nickel Plated
	6	SLEEVE TERMINAL	Brass, Tin Plated

SIZE DWG. NO. A SPCSPC21399

ELECTRONIC FILE 11M0594.dwg

REV A

SCALE: NTS

U.O.M.: INCHES [mm]

SHEET: 1 OF 1

DISCLAIMER:
 ALL STATEMENTS AND TECHNICAL INFORMATION CONTAINED HEREIN ARE BASED UPON INFORMATION AND/OR TESTS WE BELIEVE TO BE ACCURATE AND RELIABLE. SINCE CONDITIONS OF USE ARE BEYOND OUR CONTROL, THE USER SHALL DETERMINE THE SUITABILITY OF THE PRODUCT FOR THE INTENDED USE AND ASSUME ALL RISK AND LIABILITY WHATSOEVER IN CONNECTION THEREWITH.