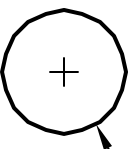
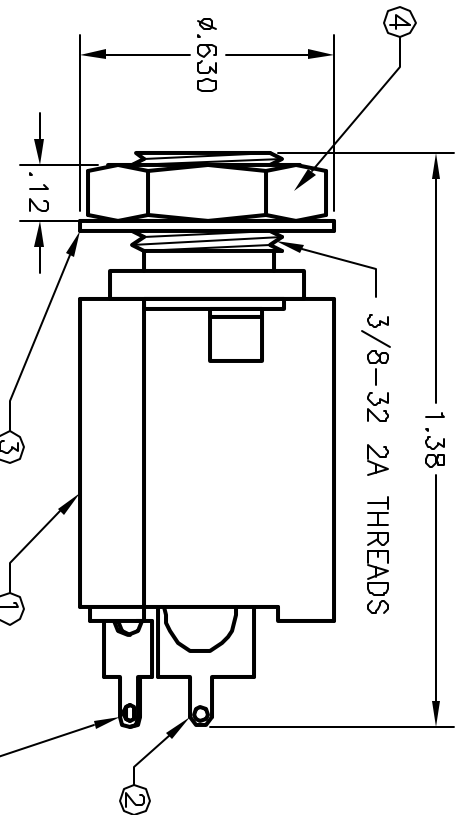
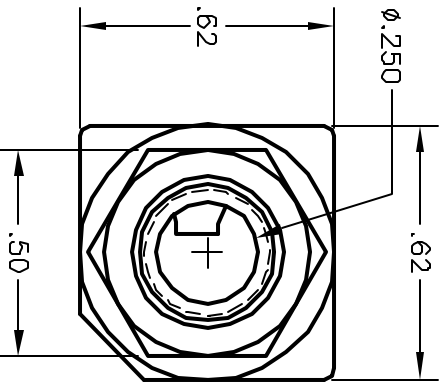
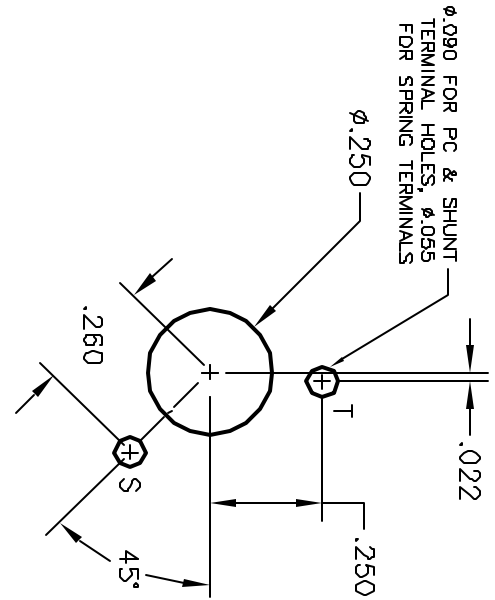


REVISONS		DOC. NO. SPC-F006	Effective 7/8/02	DCP No 1398				
DCP #	REV	DESCRIPTION	DRAWN	DATE	CHECKD	DATE	APPRVD	DATE
1937	A	Released	JWM	9/25/02	JN	04/23/08	JN	04/23/08



Mounting Hole

All leads on pc mount enclosed phone jacks shall pass a solderability test with a minimum of 95% wetting at a solder temperature of 245°C±5°C and a dwell time of 5 seconds ±1 second.

No mechanical damage shall occur after a thermal shock test is applied per EIA Standard RS-186-11

Specifications

ELECTRICAL

Contact rating: 0.25A at 48VDC
 Contact Resistance: 20 milliohms Max. Initially,
 50 milliohms Max. After Operating Life
 Insulation Resistance: 50,000 Megohms Min. at 500VDC
 Dielectric Strength: 500VAC for One Minute

MECHANICAL

Insertion Force: 0.5 to 3.0 kg
 Withdrawal Force: 0.5 to 3.0 kg
 Operating Life: 10,000 cycles

ENVIRONMENTAL

Operating Temperature: -40°C to 80°C

Schematic	Item	Description	Material/Finish
	1	HOUSING	THERMOPLASTIC UL94V-0
	2	TIP SPRING	SLEEVE-BRASS NICKEL PLATED
	3	WASHER	PHOSPHOR BRONZE, TIN PLATED
	4	HEX NUT	BRASS NICKEL PLATED
	5	SLEEVE TERMINAL	BRASS TIN PLATED

TOLERANCES:

UNLESS OTHERWISE SPECIFIED, DIMENSIONS ARE FOR REFERENCE PURPOSES ONLY.

DRAWN BY:	DATE:
Jeff McVicker	9/25/02
CHECKED BY:	DATE:
Jason Nash	04/23/08
APPROVED BY:	DATE:
Jason Nash	04/23/08

DRAWING TITLE:		ENCLOSED PHONE JACK	
SIZE	DWG. NO.	ELECTRONIC FILE	REV
A	SPC21398	11M0593.DWG	A
SCALE:	NTS	U.O.M.: INCHES [mm]	SHEET: 1 OF 1

DISCLAIMER: ALL STATEMENTS AND TECHNICAL INFORMATION CONTAINED HEREIN ARE BASED UPON INFORMATION AND/OR TESTS WE BELIEVE TO BE ACCURATE AND RELIABLE. SINCE CONDITIONS OF USE ARE BEYOND OUR CONTROL, THE USER SHALL DETERMINE THE SUITABILITY OF THE PRODUCT FOR THE INTENDED USE AND ASSUME ALL RISK AND LIABILITY WHATSOEVER IN CONNECTION THEREWITH.