



ALL RIGHTS RESERVED. NO PORTION OF THIS PUBLICATION, WHETHER IN WHOLE OR IN PART CAN BE REPRODUCED WITHOUT THE EXPRESS WRITTEN CONSENT OF SPC TECHNOLOGY.

SPC-F005.DWG

REVISIONS

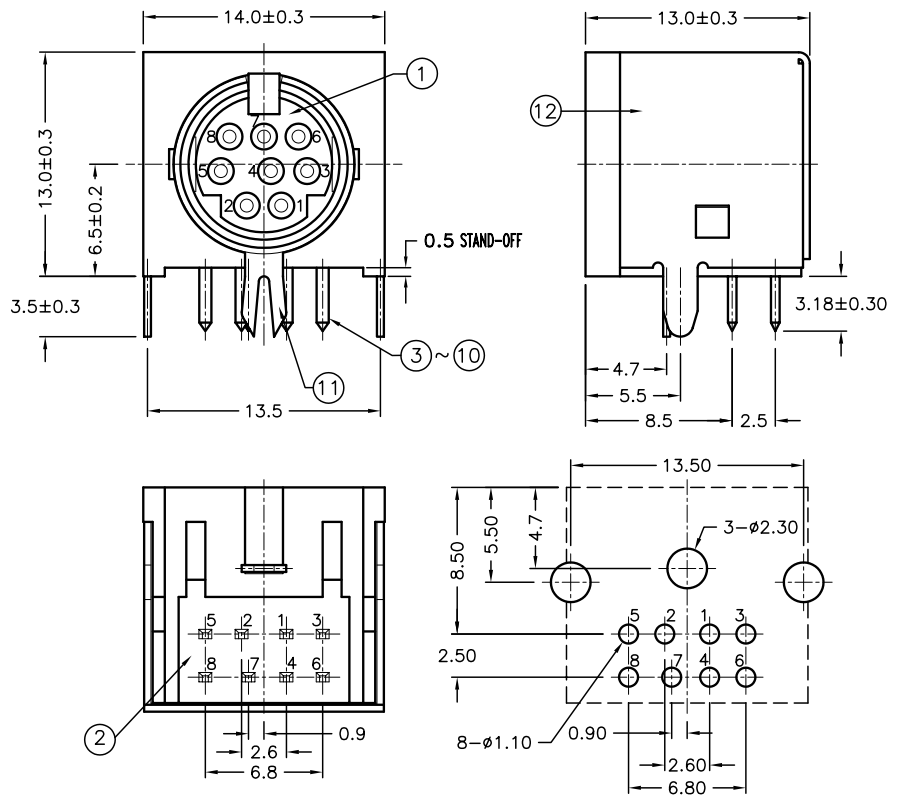
DOC. NO. SPC-F005 * Effective: 7/8/02 * DCP No: 1398

| DCP # | REV | DESCRIPTION | DRAWN | DATE | CHECKD | DATE | APPRVD | DATE |
|-------|-----|-------------|-------|--------|--------|------|--------|------|
| 1878 | A | RELEASED | EO | 5/2/06 | TL | | HO | |



Specifications:

- 1- Rated Voltage: 12.0 VDC
- 2- Rated Current: 2.0 ADC
- 3- Operating Temperature: -25°C ~ +85°C
- 4- Withstand Force: 500g for 10 Seconds
- 5- Withstand Voltage: 500V @ 50/60 Hz
- 6- Insulation Resistance: 100 Megohm Min
- 7- Housing: Plastic PBT, Black Color, UL94V-0
- 8- Cover: Plastic PBT, Black Color, UL94V-0
- 9- Contacts: PBS, 20T Gold Flash @ Contact Tin @ Soldering Lead
- 10- Center Ground: Brass, 40T Nickel
- 11- Shield: SPCC, 40T Nickel



| ITEM | NAME | MATERIAL | FINISH | QTY | NOTE |
|------|---------------|----------|--------|-----|---------|
| 12 | 4-SIDE SHIELD | SPCC(K5) | Ni | 1 | 40T |
| 11 | GROUND | BRASS | Ni | 1 | 40T |
| 10 | CONTACT #8 | PBS | Au+Tin | 1 | 20T |
| 9 | CONTACT #7 | PBS | Au+Tin | 1 | 20T |
| 8 | CONTACT #6 | PBS | Au+Tin | 1 | 20T |
| 7 | CONTACT #5 | PBS | Au+Tin | 1 | 20T |
| 6 | CONTACT #4 | PBS | Au+Tin | 1 | 20T |
| 5 | CONTACT #3 | PBS | Au+Tin | 1 | 20T |
| 4 | CONTACT #2 | PBS | Au+Tin | 1 | 20T |
| 3 | CONTACT #1 | PBS | Au+Tin | 1 | 20T |
| 2 | SPACER | PBT | 15 | 1 | UL94V-0 |
| 1 | HOUSING | PBT | 15 | 1 | UL94V-0 |

DISCLAIMER:
ALL STATEMENTS AND TECHNICAL INFORMATION CONTAINED HEREIN ARE BASED UPON INFORMATION AND/OR TESTS WE BELIEVE TO BE ACCURATE AND RELIABLE. SINCE CONDITIONS OF USE ARE BEYOND OUR CONTROL, THE USER SHALL DETERMINE THE SUITABILITY OF THE PRODUCT FOR THE INTENDED USE AND ASSUME ALL RISK AND LIABILITY WHATSOEVER IN CONNECTION THEREWITH.

TOLERANCES:
UNLESS OTHERWISE SPECIFIED
±0.2

| | |
|--------------|----------|
| DRAWN BY: | DATE: |
| EKLAS ODISH | 5/2/06 |
| CHECKED BY: | DATE: |
| THOMAS LEE | 06/19/06 |
| APPROVED BY: | DATE: |
| HISHAM ODISH | 06/19/06 |

| | | | |
|---|---------------------|-----------------|-----|
| DRAWING TITLE: MINI-DIN JACK, PCB Mount 8 PINS 4-SIDE SHIELD | | | |
| SIZE | DWG. NO. | ELECTRONIC FILE | REV |
| A | SPC15544 | 82K7825.DWG | A |
| SCALE: NTS | U.O.M.: centimeters | SHEET: 1 OF 1 | |