

quantity:

Add to Basket

order code: CN0666066

pack size: 1



description:

Chassis mounting, metal/plastic finish (enclosed), solder terminals..

details:

- No details. Manufacturer: MARUSHIN
- Manufacturer Part: MJ-074N

1+

£0.43

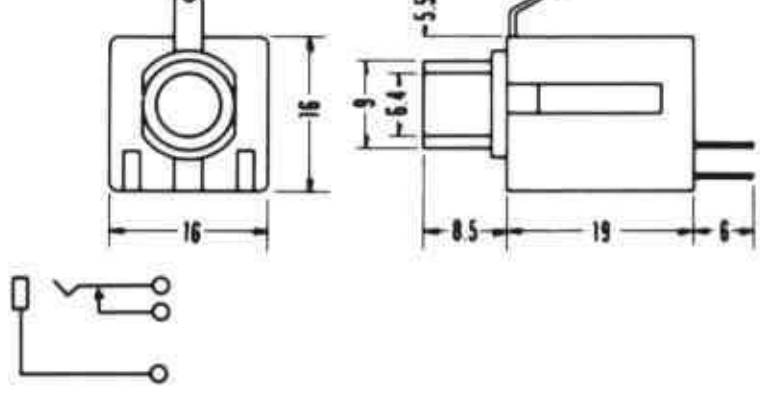
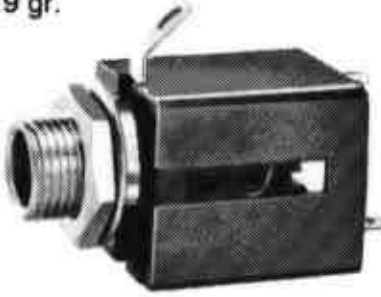
25+

£0.35

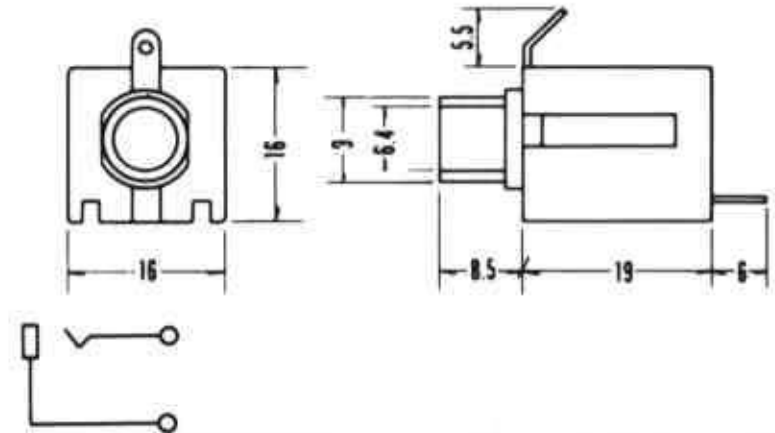
quantity:

Add to Basket

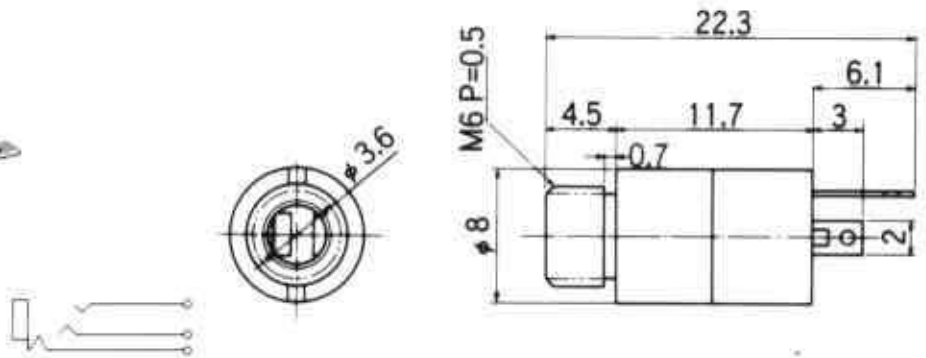
**2-CONDUCTOR CLOSED CIRCUIT
PHONE JACK**
Net Weight : 9 gr.



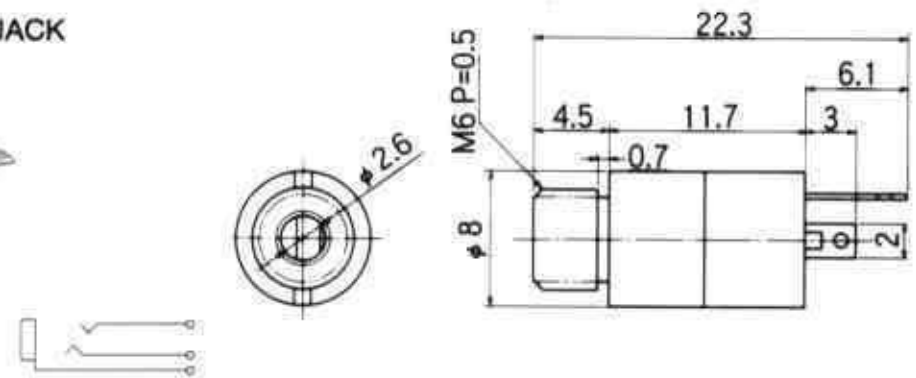
No. MJ-185
**2-CONDUCTOR OPEN CIRCUIT
PHONE JACK**
Net Weight : 9 gr.



No. MJ-074N
**CHASSIS MTG. 3-CON. STEREO
MINIATURE JACK (φ 3.5)**



No. MJ-070N
**CHASSIS MTG. 3-CON. SUB-MINI. JACK
(φ 2.5)**



No. MJ-079
**CHASSIS MTG. MINI. 4-CONDUCTOR
JACK (φ 3.5)**

