

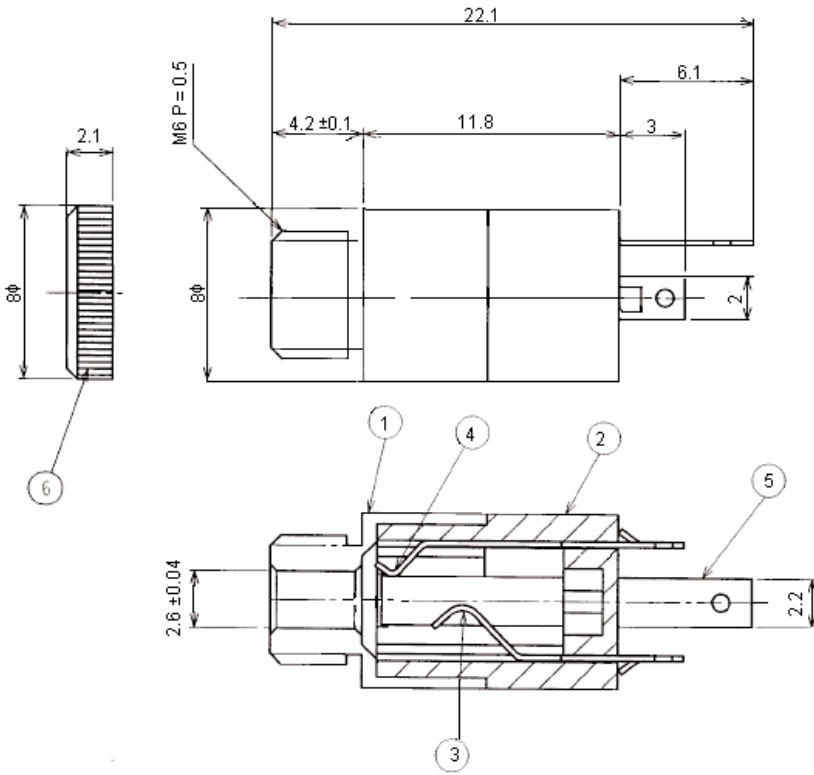


PART NO.

MJ-070N

REVISIONS

ECN #	REV	DESCRIPTION	DRAWN	DATE	CHECKD	DATE	APPRVD	DATE
-	A	RELEASED	Veena	17/4/08	Suresh	17/4/08	G. C	01/5/08



Dimensions : Millimetres

This data sheet and its contents (the "Information") belong to the Premier Farnell Group (the "Group") or are licensed to it. No licence is granted for the use of it other than for information purposes in connection with the products to which it relates. No licence of any intellectual property rights is granted. The Information is subject to change without notice and replaces all data sheets previously supplied. The Information supplied is believed to be accurate but the Group assumes no responsibility for its accuracy or completeness, any error in or omission from it or for any use made of it. Users of this data sheet should check for themselves the Information and the suitability of the products for their purpose and not make any assumptions based on information included or omitted. Liability for loss or damage resulting from any reliance on the Information or use of it (including liability resulting from negligence or where the Group was aware of the possibility of such loss or damage arising) is excluded. This will not operate to limit or restrict the Group's liability for death or personal injury resulting from its negligence. SFC pro-SIGNAL is the registered trademark of the Group. © Premier Farnell plc 2008.

TOLERANCES:
UNLESS OTHERWISE SPECIFIED, DIMENSIONS ARE FOR REFERENCE PURPOSES ONLY.

DRAWN BY:	DATE:
Veena	17/04/08
CHECKED BY:	DATE:
Suresh	17/04/08
APPROVED BY:	DATE:
G.Cook	01/05/08

DRAWING TITLE:

Jack Socket - 2.5mm 3 P

SIZE	DWG NO.	ELECTRONIC FILE	REV
A		1267372_DWG	A
SCALE: NTS	U.O.M.: mm	SHEET: 1 OF 2	



PART NO.

MJ-070N

REVISIONS

ECN #	REV	DESCRIPTION	DRAWN	DATE	CHECKD	DATE	APPRVD	DATE
-	A	RELEASED	Veena	17/4/08	Suresh	17/4/08	G. C	01/5/08

Specifications:

Maximum contact resistance : 30mW.
 Minimum insulation resistance : 100MW/500V dc.
 Dielectric strength : 500V ac for 1 minute.
 Minimum life cycle : 5000 cycles.
 Operation temperature range : -25°C to 80°C.
 Insertion and extraction on force : 4N to 20N (0.4kgf to 2kgf).

Specifications

Number	Part Name	Material	Material Thickness	Finish	Part Number
1	Metal	BSBM	-	Ni	MJ-070N
2	Body	PBT - G30%	-	-	
3	Contact 1	FAB - EH	0.25	Ni	
4	Contact 2	FAB EH		Au	
5	Terminal	BSR	0.3	Ni	
6	Nut	BSBM	-		

<http://www.farnell.com>
<http://www.newark.com>
<http://www.cpc.co.uk>

This data sheet and its contents (the "Information") belong to the Premier Farnell Group (the "Group") or are licensed to it. No licence is granted for the use of it other than for information purposes in connection with the products to which it relates. No licence of any intellectual property rights is granted. The Information is subject to change without notice and replaces all data sheets previously supplied. The Information supplied is believed to be accurate but the Group assumes no responsibility for its accuracy or completeness, any error in or omission from it or for any use made of it. Users of this data sheet should check for themselves the Information and the suitability of the products for their purpose and not make any assumptions based on information included or omitted. Liability for loss or damage resulting from any reliance on the Information or use of it (including liability resulting from negligence or where the Group was aware of the possibility of such loss or damage arising) is excluded. This will not operate to limit or restrict the Group's liability for death or personal injury resulting from its negligence. SFC pro-SIGNAL is the registered trademark of the Group. © Premier Farnell plc 2008.

TOLERANCES:

UNLESS OTHERWISE SPECIFIED, DIMENSIONS ARE FOR REFERENCE PURPOSES ONLY.

DRAWN BY: Veena	DATE: 17/04/08
CHECKED BY: Suresh	DATE: 17/04/08
APPROVED BY: G.Cook	DATE: 01/05/08

DRAWING TITLE: Jack Socket - 2.5mm 3 P			
SIZE A	DWG NO.	ELECTRONIC FILE 1267372_DWG	REV A
SCALE: NTS	U.O.M.: mm	SHEET: 2 OF 2	