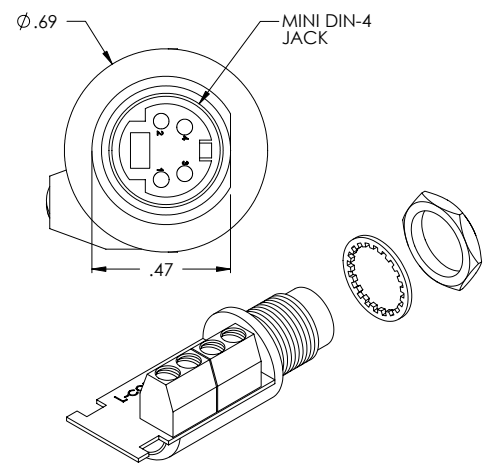
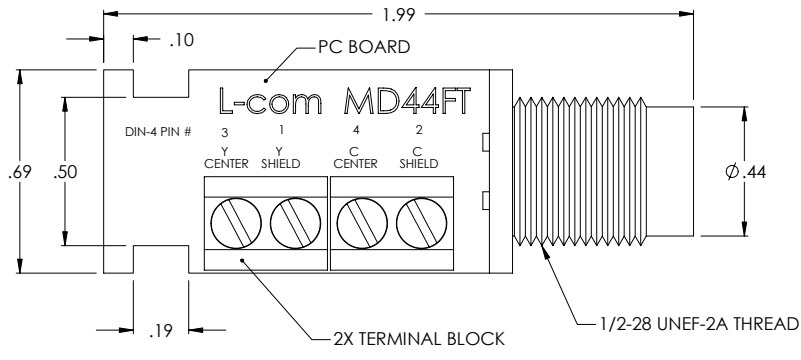
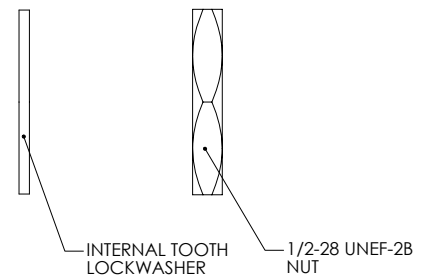
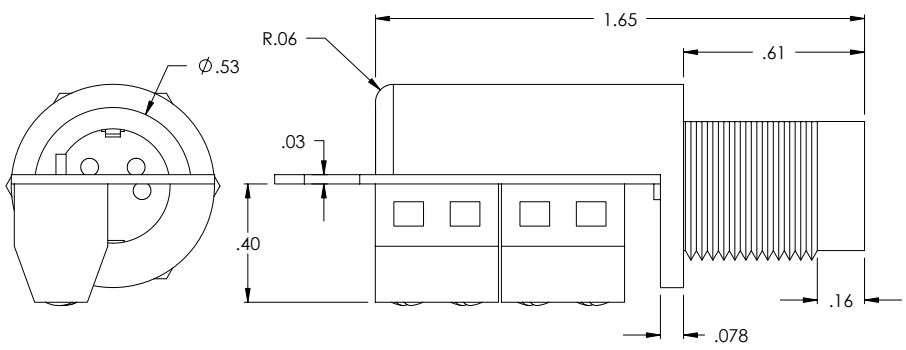


THE INFORMATION CONTAINED IN THIS DRAWING IS THE SOLE PROPERTY OF L-COM, INC. ANY REPRODUCTION IN PART OR WHOLE WITHOUT THE WRITTEN PERMISSION OF L-COM, INC. IS PROHIBITED.

REVISIONS			
REV	DESCRIPTION	DATE	APPROVED
A	RELEASED TO PRODUCTION	7/9/02	R. CARRICK
B	ADDED CABLE TIE PART NUMBER ECN # 1710	4/5/04	R. CARRICK



WIRING TABLE	
DIN-4	TERMINAL BLOCK
PIN 1	Y SHIELD
PIN 2	C SHIELD
PIN 3	Y CENTER
PIN 4	C CENTER

NOTES:
 1. ONE CABLE TIE FOR 1/4" OD CABLE SUPPLIED WITH CONNECTOR ASSEMBLY.
 3M PART NUMBER 06224 OR EQUIVALENT.

UNLESS OTHERWISE SPECIFIED
 DIMENSIONS ARE IN INCHES
 TOLERANCES ARE:
 .XX ±.01
 .XXX ±.005
 CABLE LENGTH TOLERANCE
 <300' ±5% >300' ±2%

APPROVALS	DATE	L-com CONNECTIVITY PRODUCTS	
DRAWN BY RON CARRICK	3/26/01	45 BEECHWOOD DRIVE NORTH ANDOVER, MA 01845	
CHECKED BY ENG	3/28/01	PRODUCT DESCRIPTION MIN DIN4 FIELD TERM CONNECTOR	
APPROVED BY ZW	3/28/01	DRAWING TITLE OUTLINE DRAWING	
CONFIGURATION DETAILS OF UNDIMENSIONED FEATURES MAY VARY		SIZE A	REV. B
SCALE: NONE		FSCM NO. 43321	DWG. NO. MD44FT-OD1
CAD FILE: MD44FT-OD1.SLDRW		SHEET 1 OF 1	



8 7 6 5 4 3 2 1