

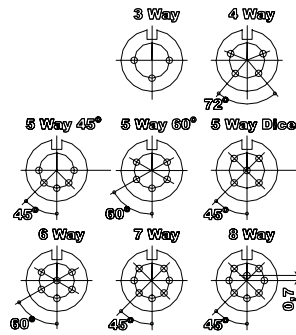
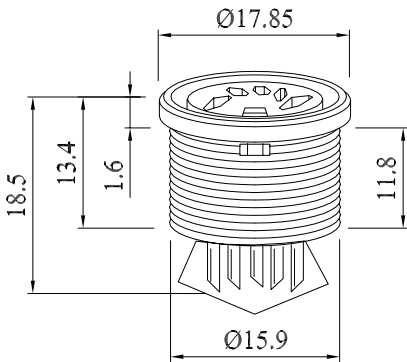
A fully screened robust range of DIN connectors for use in instrumentation and audio applications. Available in two finishes; bright nickel and non-reflective electrically conductive matt black. Robust construction incorporating cable grip and strain relief. This line socket mates with all standard and lockable plugs.

Manufactured to DIN 41524, 45322, 45326, 45327 and 45329.

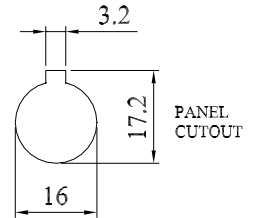
MATERIALS

HOUSING : Brass
: Nickel Plated
MOULDING : NORYL SE1
CONTACTS : Brass
: Silver Plated

Dimensions



PCB DRILLING - ALL PIN HOLES Ø1.2mm ON A 7.00 P.C.D.



Type	Deltron No
3 Way	690-0300
4 Way	690-0400
5 Way 45°	690-0500
5 Way 60°	690-0510
5 Way Dice	690-0520
6 Way	690-0600
7 Way	690-0700
8 Way	690-0800
Hex Nut	650-003-3

CONVERTED FROM PS0769 ISS4 (27.11.96) IN JAN 2003

DrgNo 690 SERIES

TITLE PROFESSIONAL CIRCULAR PCB MOUNTING (NICKEL)

ALL DIMENSIONS IN MM
ANGLES IN DECIMAL DEGREES



ISSUE 4

GENERAL SPECIFICATION
FOR CHASSIS SOCKET

CUSTOMER

FILTER REF

Aprvd Date 10/02/03

Aprvd By MC

Drwn by BFS

Scale: NTS

Sheet 1 / 1

© Deltron Emcon Limited E-Mail components@deltron-emcon.com, Website www.deltron-emcon.com. Phone +44 1724 273200 Fax +44 1724 270230

