

A range of professional chassis mounting sockets, designed for panel mounting via two flange fixing M3 screws. These sockets mate with all standard lockable plugs.

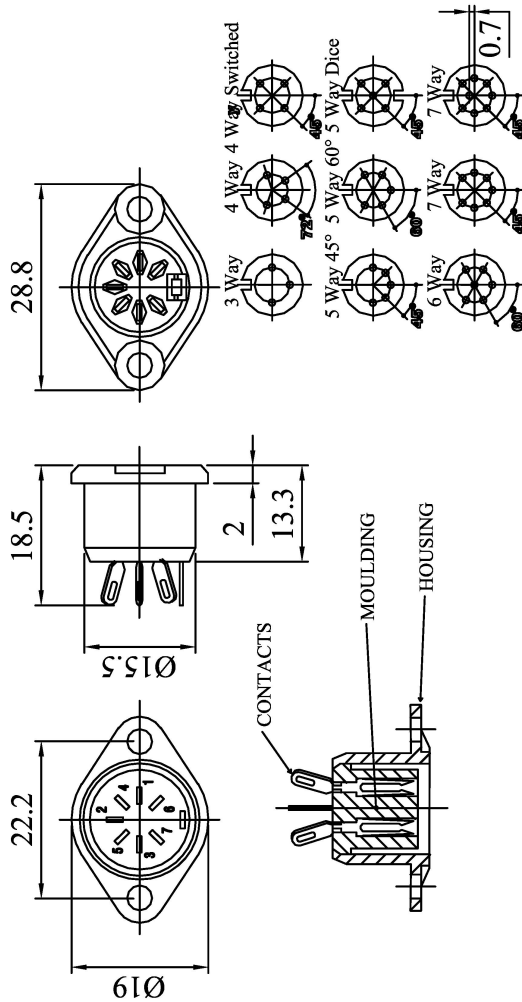


Material
Housing
Moulding
Contacts

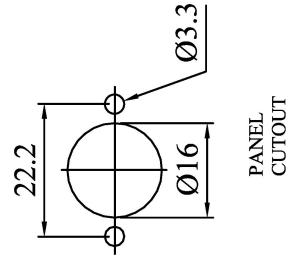
Mazak
nickel plated
Noryl SE1
Brass,
silver plated

Product Specification
Test Voltage: 1000 Vdc
Current Rating: 4A
Insulation Resistance: $10^{11} \Omega$ min at 100 Vdc
Contact Resistance: $10^{11} \Omega$ max
Capacity (mated): 3pF
Temperature Range: -25°C to +75°C

Dimensions



Type	Deltron No
3 Way	630-0300
4 Way	630-0400
4 Way Switched	630-0410
5 Way 45°	630-0500
5 Way 60°	630-0510
5 Way Dice	630-0520
6 Way	630-0600
7 Way	630-0700
8 Way	630-0800



CONVERTED FROM PS0755 ISS3 (31.10.94) IN JAN 2003

DrgNo 630 SERIES		TITLE PROFESSIONAL FLANGED CHASSIS SOCKET		ALL DIMENSIONS IN MM ANGLES IN DECIMAL DEGREES	
ISSUE 7		CUSTOMER		FILTER REF LGS00184	
N:\SETUP\MD_TEMPLATES\Deltron components.BMP		Aprvd Date 20/07/06		Scale: NTS	
© Deltron Emcon Limited E-Mail components@deltron-emcon.com, Website www.deltron-emcon.com, Phone +44 1724 273200 Fax +44 1724 270230		Drwn by BS		Sheet 1 / 1	
		N:\SETUP\MD_TEMPLATES\EMCON LOGO.PG			