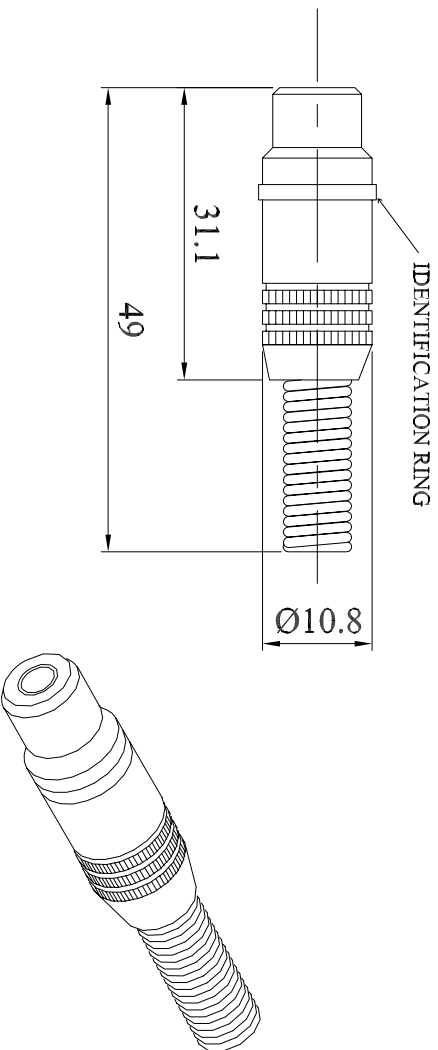


- A range of high quality UK manufactured phono plugs made from machined brass with various plating options.
- Spring centre contacts for good electrical contact with large solder buckets.
  - Internal cable clamp for secure cable connection.
  - Spring strain relief.
  - Colour coded ID rings for easy cable identification
  - Attractive body styling.
  - Maximum cable size 5.5mm

Ratings 5 A at 200 Vdc/150 Vac max.  
Insulation resistance – 100MΩ at 500 Vdc

Mechanical Properties	
Centre contact	Brass, flash gold plated
Ground contact	Brass, flash gold plated
Insulation	Noryl SE1
Cable clamp	Brass, flash gold plated
Spring	Spring Steel
Cap	flash gold plated
	Brass, flash gold plated

## Dimensions



Deltron Part No.	Description
341-0000	FLASH GOLD PLATED
341-0100	FLASH GOLD PLATED (BLACK ID RING)
341-0200	FLASH GOLD PLATED (BLUE ID RING)
341-0500	FLASH GOLD PLATED (RED ID RING)
341-0600	FLASH GOLD PLATED (WHITE ID RING)
341-0700	FLASH GOLD PLATED (YELLOW ID RING)

CONVERTED FROM PS0361 ISS2 (14.01.94) IN JAN 2003

DrngNo 341 SERIES

TITLE PROFESSIONAL PHONO LINE SOCKET

ALL DIMENSIONS IN MM  
ANGLES IN DECIMAL DEGREES



**DELTRON** Components

ES 2

GENERAL SPECIFICATION  
FOR 341 SERIES

CUSTOMER

FILTER REF

Aprvd Date 27/01/03

Aprvd By MC

Drwn by

BFS

Scale: NTS

Sheet 1 / 1