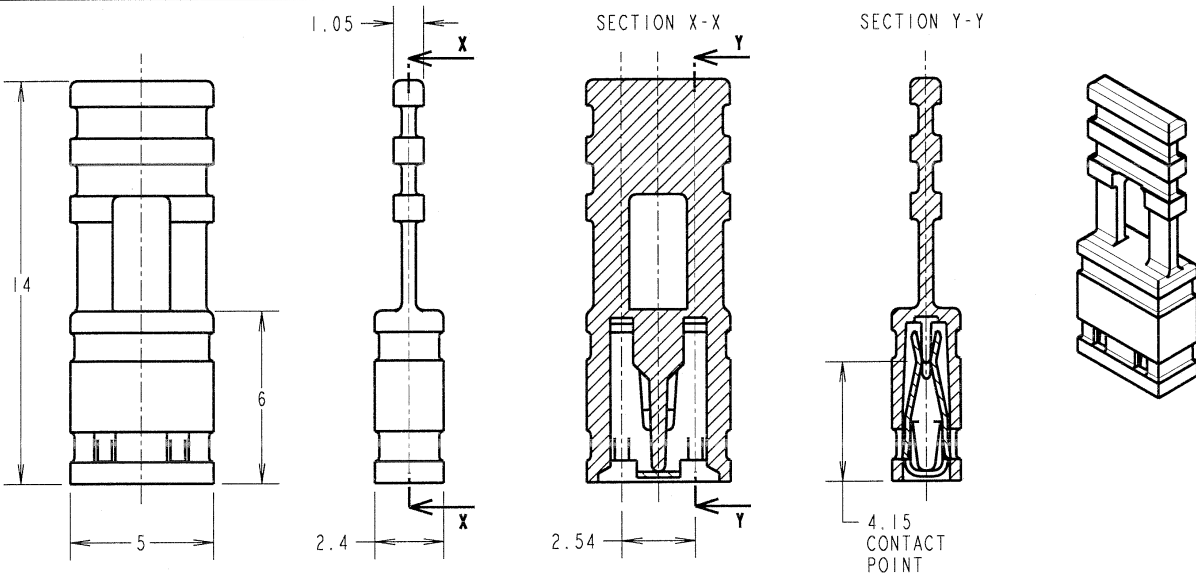


# Customer Information Sheet

DRAWING No.: M7680-XX - M7683-XX SHEET 2 OF 2 IF IN DOUBT - ASK (C) NOT TO SCALE THIRD ANGLE PROJECTION ALL DIMENSIONS IN mm

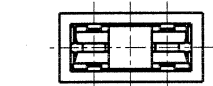


ORDER CODE:  
**M768X-XX**

MOULDING COLOUR  
 0 - LT. GREY 1 - RED  
 2 - BLACK 3 - BLUE

CONTACT FINISH  
 05 - GOLD  
 46 = 100% TIN

SCALE 4



NOTES:  
 1. MATING PIN = 0.64mm SQUARE, MAXIMUM LENGTH = 5.6mm.  
 2. FOR FULL ELECTRICAL/MECHANICAL SPECIFICATIONS, SEE COMPONENT SPECIFICATION C003XX (LATEST ISSUE).

**SPECIFICATIONS:**  
 MATERIAL:  
 MOULDING = POLYESTER UL94V-0 (SEE ORDER CODE FOR COLOUR)  
 CONTACT = PHOSPHOR BRONZE  
 FINISH:  
 05 = 0.13µm GOLD  
 46 = 3µm 100% TIN  
 MECHANICAL:  
 DURABILITY = 50 OPERATIONS (TIN)  
 300 OPERATIONS (GOLD)  
 INSERTION FORCE = 12.5N MAX  
 WITHDRAWAL FORCE = 1.0N MIN

**ELECTRICAL:**  
 CURRENT RATING = 3A MAX  
 VOLTAGE RATING = 250V AC/DC  
 VOLTAGE PROOF = 750V AC  
 CONTACT RESISTANCE = 30mΩ MAX (TIN)  
 25mΩ MAX (GOLD)  
 INSULATION RESISTANCE = 1,000MΩ MIN  
**ENVIRONMENTAL:**  
 TEMPERATURE RANGE = -40°C TO +85°C

JMB	4	11.04.06	9154
NAME	ISS.	DATE	C/NOTE
APPROVED: <i>[Signature]</i>			
CHECKED: <i>[Signature]</i>			
DRAWN: W. J. BOURNE		CUSTOMER REF.:	
ASSEMBLY DRG:			

<b>HARWIN</b>			THIS DRAWING AND ANY INFORMATION OR DESCRIPTIVE MATTER SET OUT HEREON ARE CONFIDENTIAL AND COPYRIGHT PROPERTY OF THE HARWIN GROUP AND MUST NOT BE DISCLOSED, LOANED, COPIED OR USED FOR MANUFACTURING, TENDERING OR FOR ANY OTHER PURPOSE WITHOUT THEIR WRITTEN PERMISSION.	<b>TOLERANCES</b> X. = ±1mm X.X = ±0.25mm X.XX = ±0.10mm X.XXX = ±0.01mm ANGLES = ±5° UNLESS STATED	<b>MATERIAL:</b> SEE TABLE	<b>TITLE:</b> 2.54mm PITCH CLOSED-BOX JUMPER SOCKET WITH HANDLE (14mm)	<b>DRAWING NUMBER:</b> <b>M7680-XX - M7683-XX</b>	SHT 2 OF 2
HARWIN INC U.S.A. TEL: (812) 542 2540 FAX: (812) 542 2541	HARWIN PLC U.K. TEL: 023 9231 4545 FAX: 023 9231 4590	HARWIN PTE SINGAPORE TEL: 65 6779 4909 FAX: 65 6779 3868						