



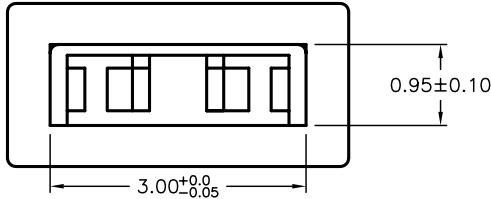
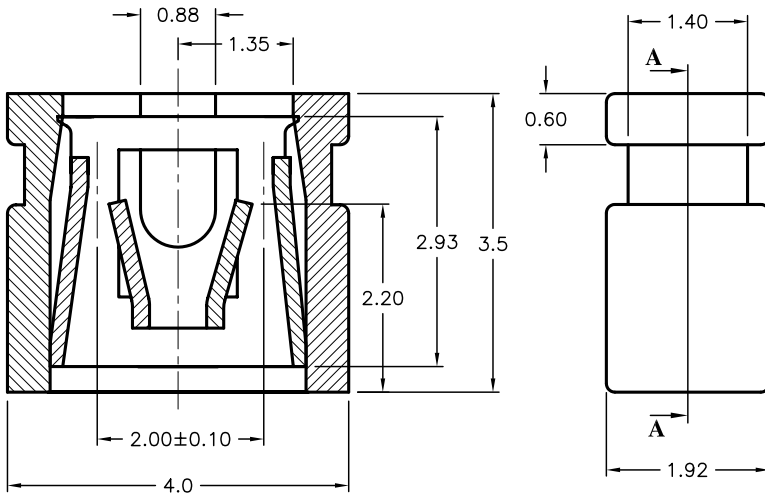
ALL RIGHTS RESERVED. NO PORTION OF THIS PUBLICATION, WHETHER IN WHOLE OR IN PART CAN BE REPRODUCED WITHOUT THE EXPRESS WRITTEN CONSENT OF SPC TECHNOLOGY.

SPC-F005.DWG

REVISIONS

DOC. NO. SPC-F005 * Effective: 7/8/02 * DCP No: 1398

DCP #	REV	DESCRIPTION	DRAWN	DATE	CHECKD	DATE	APPRVD	DATE
1878	A	RELEASED	EO	8/23/06	JWM	8/23/06	HO	8/23/06



SEC A-A

MATERIAL:

- Insulator: P.B.T. +15% G.F. UL94V-0
- Contact: Phosphor Bronze
- Plating: Gold Flash
- Color: Black

SPECIFICATION:

- Current Rating: 3 AMP
- Dielectric Withstanding: 1000 VAC Min. per minute
- Insulation Resistance: 1000 Megohm At 500 VDC
- Contact Resistance: 25 milliohms Max.
- Contact Insertion Force: 1 kg Max.
- Contact Separation Force: 70 g Min
- Operating Temperature: -55°C To +85°C

DISCLAIMER:
ALL STATEMENTS AND TECHNICAL INFORMATION CONTAINED HEREIN ARE BASED UPON INFORMATION AND/OR TESTS WE BELIEVE TO BE ACCURATE AND RELIABLE. SINCE CONDITIONS OF USE ARE BEYOND OUR CONTROL, THE USER SHALL DETERMINE THE SUITABILITY OF THE PRODUCT FOR THE INTENDED USE AND ASSUME ALL RISK AND LIABILITY WHATSOEVER IN CONNECTION THEREWITH.

TOLERANCES:

UNLESS OTHERWISE SPECIFIED,
.X ±0.20
.XX ±0.10

DRAWN BY:	DATE:
EKLAS ODISH	8/23/06
CHECKED BY:	DATE:
JEFF MCVICKER	8/23/06
APPROVED BY:	DATE:
HISHAM ODISH	8/23/06

DRAWING TITLE:

Single Microshunt Jumper, Open Top, 2.0mm Spacing

SIZE	DWG. NO.	ELECTRONIC FILE	REV
A	SPC20480	93K5733.DWG	A
SCALE:	NTS	U.O.M.: Millimeters	SHEET: 1 OF 1