



ALL RIGHTS RESERVED. NO PORTION OF THIS PUBLICATION, WHETHER IN WHOLE OR IN PART CAN BE REPRODUCED WITHOUT THE EXPRESS WRITTEN CONSENT OF SPC TECHNOLOGY.

SPC-F005.DWG

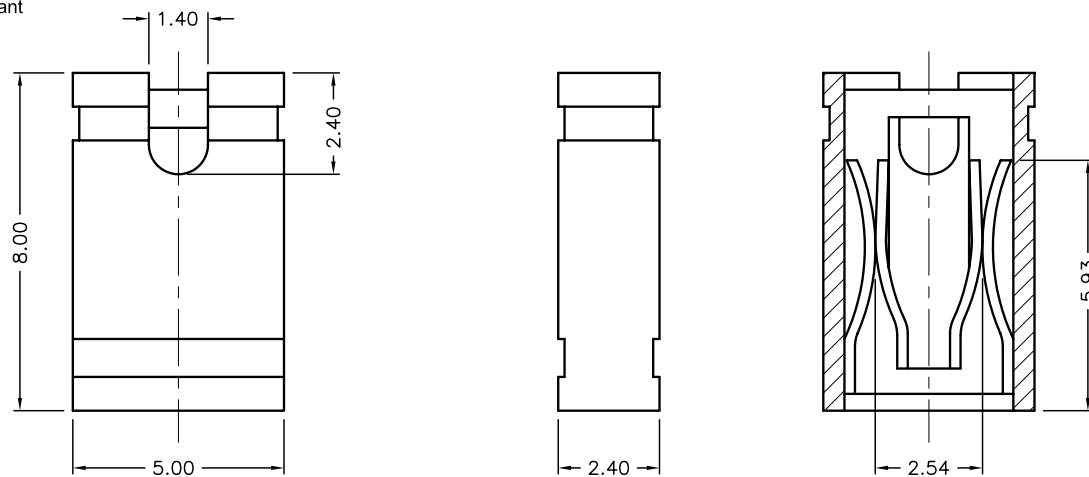
REVISIONS

DOC. NO. SPC-F005 * Effective: 7/8/02 * DCP No: 1398

DCP #	REV	DESCRIPTION	DRAWN	DATE	CHECKD	DATE	APPRVD	DATE
1891	A	RELEASED	EO	06/27/06	SA	7/25/06	HO	7/25/06



RoHS Compliant



FEATURES:

Double tuning fork type contact guarantees high reliability
 2.54mm pitch
 Low-profile mini type Males to 0.64mm sg. posts.

MATERIAL:

Insulator: 30% Glass fiber + P.B.T. (UL 94V-0)
 Terminal: Phosphor bronze
 Finishing Gold-plated

SPECIFICATIONS:

Current Rating: 3 A max
 Contact Resistance: 20m-OHMS max
 Insulation Resistance: 100 M-OHMS min
 Dielectric Withstanding voltage: AC 650 volts RMS at sea level.

DISCLAIMER: ALL STATEMENTS AND TECHNICAL INFORMATION CONTAINED HEREIN ARE BASED UPON INFORMATION AND/OR TESTS WE BELIEVE TO BE ACCURATE AND RELIABLE. SINCE CONDITIONS OF USE ARE BEYOND OUR CONTROL, THE USER SHALL DETERMINE THE SUITABILITY OF THE PRODUCT FOR THE INTENDED USE AND ASSUME ALL RISK AND LIABILITY WHATSOEVER IN CONNECTION THEREWITH.

TOLERANCES:

Unless Otherwise Specified
 .X ±0.2 [0.008]
 .XX ±0.12 [0.005]

DRAWN BY:	DATE:
EKLAS ODISH	06/27/06
CHECKED BY:	DATE:
SAMI ALNADI	7/25/06
APPROVED BY:	DATE:
HISHAM ODISH	7/25/06

DRAWING TITLE:			
Mini Jumper, Open Type, 8 mm, RoHS			
SIZE	DWG. NO.	ELECTRONIC FILE	REV
A	SPC19810	84K8572.DWG	A
SCALE: NTS	U.O.M.: mm [INCHES]	SHEET: 1 OF 1	