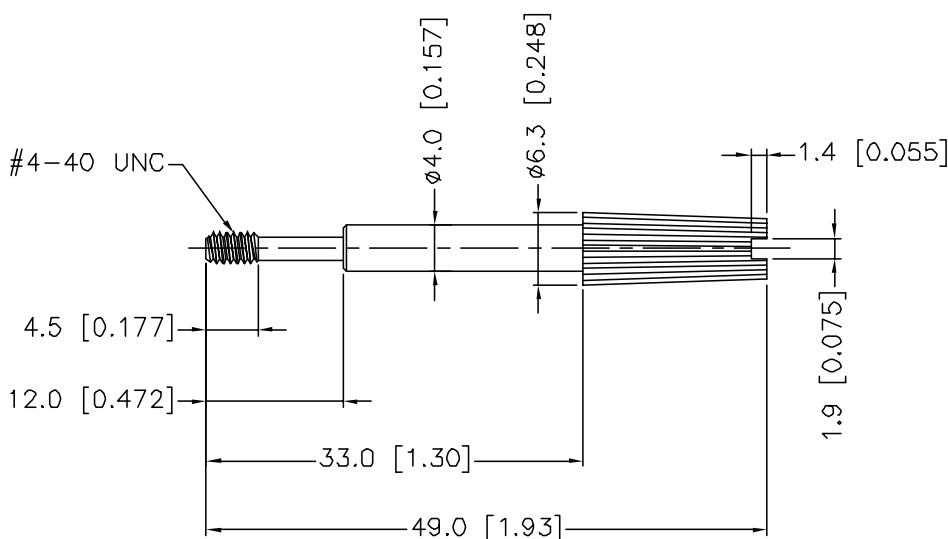


ALL RIGHTS RESERVED. NO PORTION OF THIS PUBLICATION, WHETHER IN WHOLE OR IN PART CAN BE REPRODUCED WITHOUT THE EXPRESS WRITTEN CONSENT OF SPC TECHNOLOGY.

REVISIONS			DOC. NO. SPC-F005 • Effective: 12/21/98 • DCP No: 080					
DCP #	REV	DESCRIPTION	DRAWN	DATE	CHECKD	DATE	APPRVD	DATE
522	B	Updated	JWM	11/13/00	JC		DJC	



Material:
 1. Metal: Steel, Nickel-Plated
 2. Plastic Handle: ABS, Beige Color
 Package: 2 pcs/bag

<small>DISCLAIMER</small> ALL STATEMENTS AND TECHNICAL INFORMATION CONTAINED HEREIN ARE BASED UPON INFORMATION AND/OR TESTS WE BELIEVE TO BE ACCURATE AND RELIABLE. SINCE CONDITIONS OF USE ARE BEYOND OUR CONTROL, THE USER SHALL DETERMINE THE SUITABILITY OF THE PRODUCT FOR THE INTENDED USE AND ASSUME ALL RISK AND LIABILITY WHATSOEVER IN CONNECTION THEREWITH.			
Tolerances Unless Otherwise Specified: .X=±0.2 [.008] .XX=±0.12 [.005]	DRAWN BY: Jeff McVicker	DATE: 11/13/00	DRAWING TITLE: Thumb Screw
	CHECKED BY: JOHN COLE	DATE:	SIZE: A DWG. NO.: SPC9934 U.O.M.: Millimeters
	APPROVED BY: Daniel Carey	DATE:	ELECTRONIC FILE: 05C0843.dwg SHEET: 1 OF 1

SPC-F005.DWG