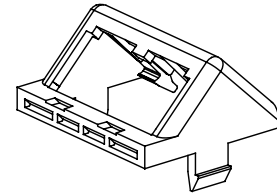
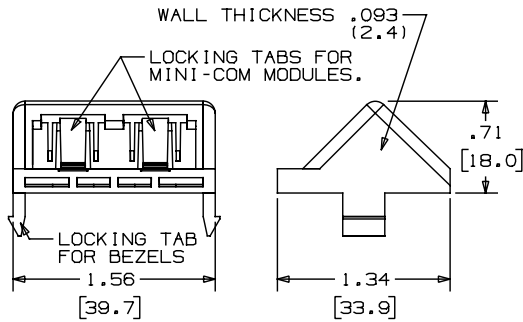


THIS COPY IS PROVIDED ON A RESTRICTED BASIS AND IS NOT TO BE USED IN ANY WAY DETRIMENTAL TO THE INTERESTS OF PANDUIT CORP.

PANDUIT P/N	WEIGHT
CHS2	.58 LB/50 PCS (264g/50 PCS)

NOTES:

- SEE CURRENT CATALOG FOR ADDITIONAL PART NUMBER SUFFIXES TO INDICATE COLOR AND OR PACKAGE QUANTITY.
- THIS PART IS TO BE USED WITH THE MINI-COM BEZELS AND MIN-COM MODULES.
- DIMENSIONS IN PARENTHESES ARE IN METRIC.



CAD FILENAME/LAYERS D35544BD_CHS2_00

PANDUIT CORP. TINLEY PARK, ILLINOIS

TWO MODULE MINI-COM SLOPED INSERT
FOR EXECUTIVE BEZELS (CHS2)
CUSTOMER DRAWING

UNLESS OTHERWISE SPECIFIED,
DIMENSIONAL TOLERANCES ARE:
(.X) ± (.XXX) ±.010(.3)
(.XX) ±.03(.8) ANGLES ±

UNLESS OTHERWISE SPECIFIED,
ALL DIMENSIONS ARE GIVEN
IN INCHES, THIRD ANGLE PROJECTION.

DRAWN BY

DW

MAT'L:

ABS

SCALE

NONE

DATE

4-1-96

DRAWING NO.

35544-05

DWG

A
SIZE

REV	DATE	BY	CHK	DESCRIPTION	ECN	CHK	CUST	SUP
R	4-1-96	DW		RELEASED TO PRODUCTION.	35544-05			