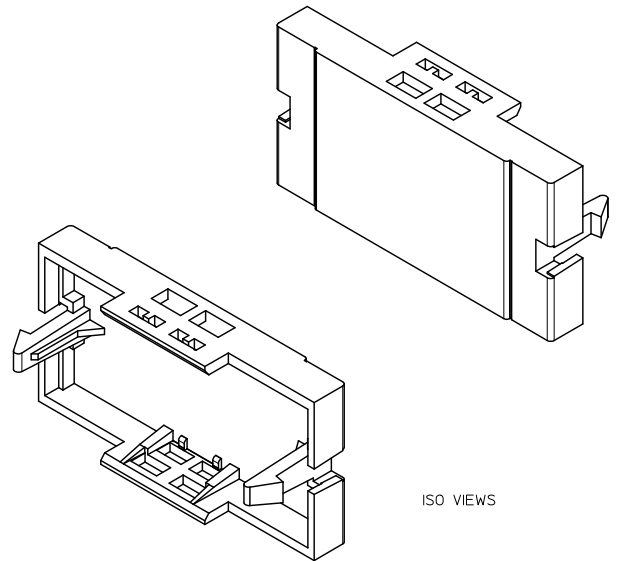
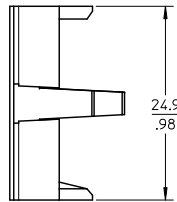
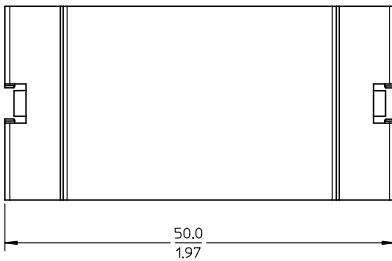
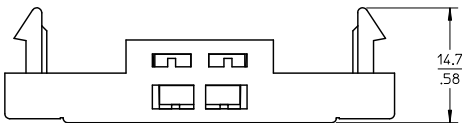


10 9 8 7 6 5 4 3 2 1

NOTES:

1. MATERIAL: POLYCARBONATE/ACRYLONITRILE-BUTADIENE-STYRENE (PC/ABS)
2. PACKAGING : 20 NUMBERS OF MODULES ARE PACKED IN A BAG.



ISO VIEWS

PART NUMBER CHART		
MPN NO.	SAP NO.	COLOR
MUS-00059-01	180070013	ALMOND
MUS-00059-02	180070014	WHITE
MUS-00059-04	180070015	BLACK
MUS-00059-08	180070016	GREY

ENTER DESCRIPTION EC NO: MTS2010-0170 DRWN:PS03 2010/06/01 CHYK:KUMAR 2010/06/01 APPR:KUMAR 2010/06/16 A3	QUALITY SYMBOLS = 0 = 0	GENERAL TOLERANCES (UNLESS SPECIFIED)		DIMENSION STYLE MM/IN	SCALE 2:1	DESIGN UNITS METRIC	THIRD ANGLE PROJECTION		
		4 PLACES ± --- ± ---	DRAWN BY HPRAKASH	DATE 2007/05/07	TITLE USO II BLANK MODULE - 20/BAG				
		3 PLACES ± --- ± ---	CHECKED BY JKUMAR	DATE 2007/05/07	MOLEX INCORPORATED				
		2 PLACES ± --- ± .020 1 PLACE ± 0.51 ± --- ANGULAR ± --- °	APPROVED BY JKUMAR	DATE 2007/05/07	MATERIAL NO. SEE CHART	DOCUMENT NO. SD-18007-003	SHEET NO. 1 OF 1		
DRAFT WHERE APPLICABLE MUST REMAIN WITHIN DIMENSIONS				THIS DRAWING CONTAINS INFORMATION THAT IS PROPRIETARY TO MOLEX INCORPORATED AND SHOULD NOT BE USED WITHOUT WRITTEN PERMISSION					

9 8 7 6 5 4 3 2 1