

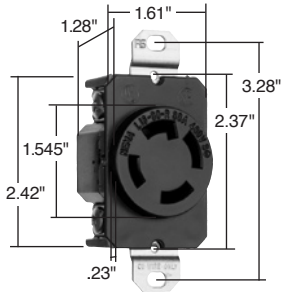
Pass & Seymour



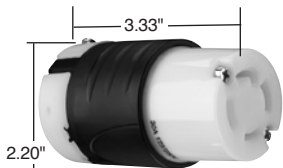
## Industrial Spec Grade Turnlok® Locking Devices

### 30 Amp NEMA L1430 & L1530

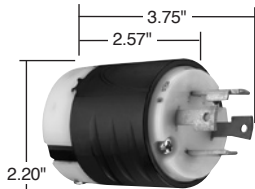
3 Pole, 4 Wire 30A, 125/250V; 3ø, 250V



30A Receptacle



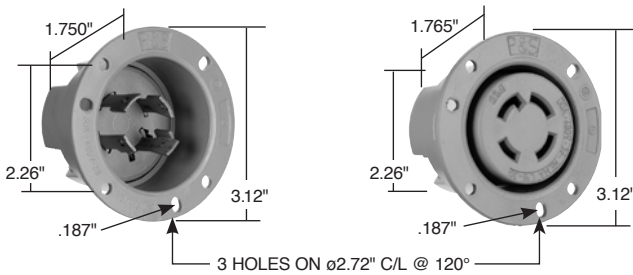
30A Connector



30A Plug

Catalog Number	Rating A. V.	Description/Color	Cord Diameter	NEMA Config. No.	3rd Party Compliance		
					UL UL498	FSUL WC596	CSA
<b>Receptacles</b>							
L1430R	30 125/250	Single Receptacle		L14-30R	•	•	•
IGL1430R	30 125/250	Single Receptacle, Orange, Isolated Ground		L14-30R	•		•
L1530R	30 3ø, 250	Single Receptacle		L15-30R	•	•	•
IGL1530R	30 3ø, 250	Single Receptacle, Orange, Isolated Ground		L15-30R	•		•
<b>Connectors IP20 Suitability</b>							
L1430C	30 125/250	Black Back, White Front Body	.385"-1.150"	L14-30R	•	•	•
CRL1430C	30 125/250	Yellow Back, White Front Body, Corrosion-Resistant	.385"-1.150"	L14-30R	•	•	•
L1530C	30 3ø, 250	Black Back, White Front Body	.385"-1.150"	L15-30R	•	•	•
L1530CBK	30 3ø, 250	Black Back, Black Front Body	.385"-1.150"	L15-30R	•	•	•
<b>Plugs IP20 Suitability</b>							
L1430P	30 125/250	Black Back, White Front Body	.385"-1.150"	L14-30P	•	•	•
CRL1430P	30 125/250	Yellow Back, White Front Body, Corrosion-Resistant	.385"-1.150"	L14-30P	•	•	•
L1530P	30 3ø, 250	Black Back, White Front Body	.385"-1.150"	L15-30P	•	•	•
L1530PBK	30 3ø, 250	Black Back, Black Front Body	.385"-1.150"	L15-30P	•	•	•
<b>Flanged Inlets &amp; Outlets</b>							
L1430FI	30 125/250	Gray Inlet		L14-30P	•		•
L1430FO	30 125/250	Gray Outlet		L14-30R	•		•
L1530FI	30 3ø, 250	Gray Inlet		L15-30P	•		•
L1530FIBK	30 3ø, 250	Black Inlet		L15-30P	•		•
L1530FO	30 3ø, 250	Gray Outlet		L15-30R	•		•
L1530FOBK	30 3ø, 250	Black Outlet		L15-30R	•		•

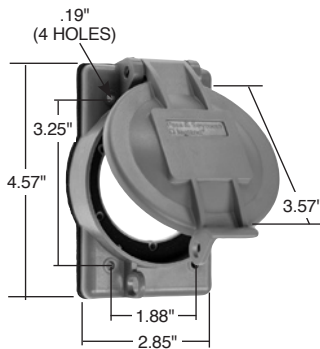
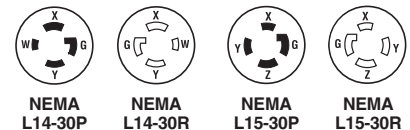
Reference Pages I-37 and I-38 for Accessories.



30A Flanged Inlet & Outlet



Catalog Number	Description
<b>Weatherproof Locking Inlet Kit for Generator Applications</b>	
L1430FIKIT	Kit includes 30A Locking Gray Flanged Inlet L1430FI, Weatherproof Cover WPG2, and Weatherproof Box WPB23



WPG2

Catalog Number	Description	Color
<b>Weatherproof Cover</b>		
WPG2	Cover for 20 and 30A Turnlok Flanged Inlets and Outlets	Gray
<b>Stainless Steel Wall Plate</b>		
SS720	Wall Plate for Locking Receptacles	302 S/S

# Industrial Spec Grade Turnlok® Locking Devices 30 Amp NEMA L1630 & L1730

3 Pole, 4 Wire 30A; 3ø, 480 & 600V

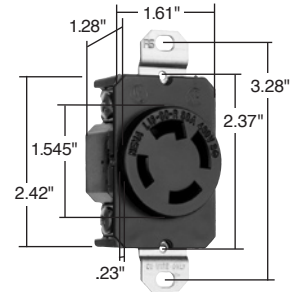
Pass & Seymour



Turnlok® Locking Devices

Catalog Number	Rating A. V.	Description/Color	Cord Diameter	NEMA Config. No.	3rd Party Compliance		
					UL UL498	FSUL WC596	CSA
<b>Receptacles</b>							
L1630R	30 3ø, 480	Single Receptacle		L16-30R	•	•	•
L1730R	30 3ø, 600	Single Receptacle		L17-30R	•	•	•
<b>Connectors IP20 Suitability</b>							
L1630C	30 3ø, 480	Black Back, White Front Body	.385"-1.150"	L16-30R	•	•	•
L1730C	30 3ø, 600	Black Back, White Front Body	.385"-1.150"	L17-30R	•	•	•
<b>Plugs IP20 Suitability</b>							
L1630P	30 3ø, 480	Black Back, White Front Body	.385"-1.150"	L16-30P	•	•	•
L1730P	30 3ø, 600	Black Back, White Front Body	.385"-1.150"	L17-30P	•	•	•
<b>Flanged Inlets &amp; Outlets</b>							
L1630FI	30 3ø, 480	Gray Inlet		L16-30P	•	•	•
L1630FO	30 3ø, 480	Gray Outlet		L16-30R	•	•	•
L1730FI	30 3ø, 600	Gray Inlet		L17-30P	•	•	•
L1730FO	30 3ø, 600	Gray Outlet		L17-30R	•	•	•

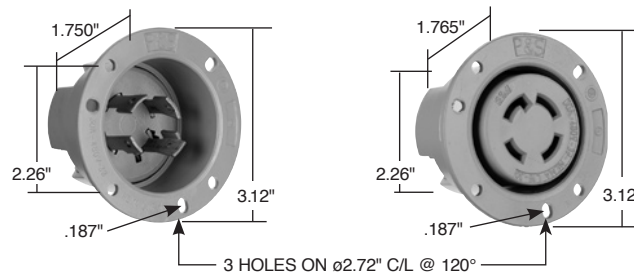
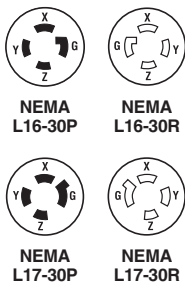
Reference Pages I-37 and I-38 for Accessories.



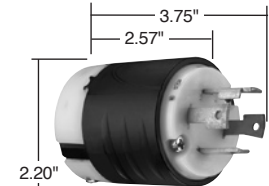
30A Receptacle



30A Connector

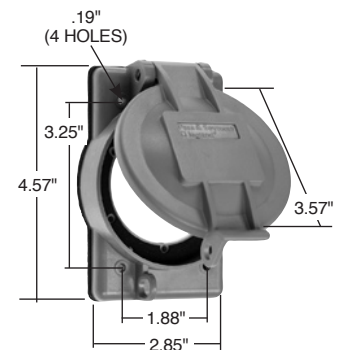


30A Flanged Inlet & Outlet



30A Plug

Catalog Number	Description	Color
<b>Weatherproof Cover</b>		
WPG2	Cover for 20 and 30A Turnlok Flanged Inlets and Outlets	Gray
<b>Stainless Steel Wall Plate</b>		
SS720	Wall Plate for Locking Receptacles	302 S/S



WPG2

30 Amp NEMA L1630 & L1730