

This Drawing is the property of J.S.T.(U.K.) Ltd.  
It must not be copied or used for manufacturing  
without written permission from J.S.T.(U.K.) Ltd.

**UNCONTROLLED  
CUSTOMER ISSUE**

Page 1 / 2

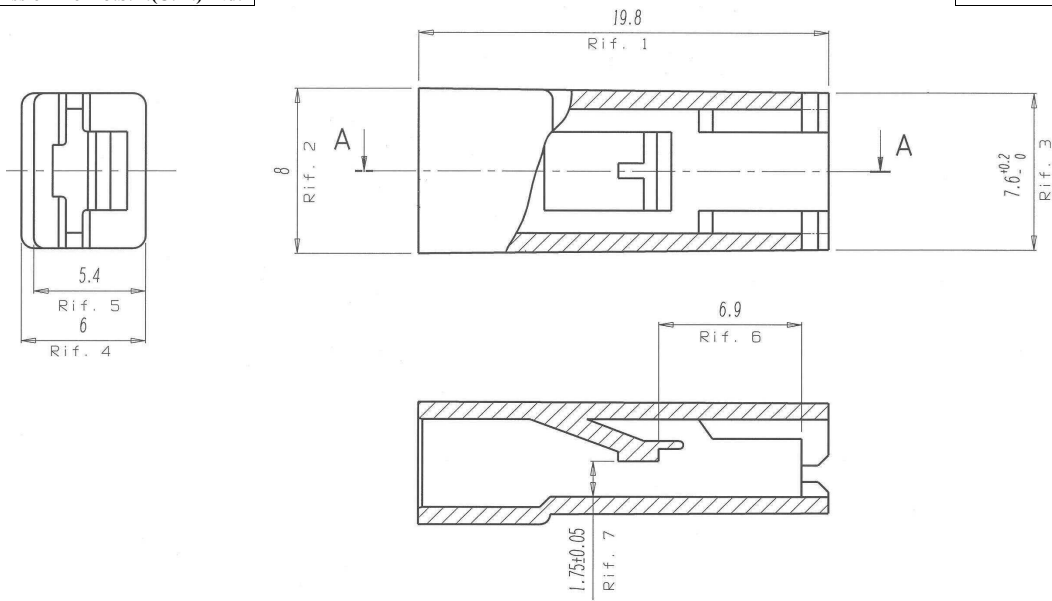
CS-48N003V0	48N003V0	PA66	UL94V-0	Natural	110	--	
4803-187 Red	48N303	PA66	UL94V-2	Red	110	E172855 (M)	
4803-187 Green	48N403	PA66	UL94V-2	Green	110	E172855 (M)	
4803-187 Black	48N503	PA66	UL94V-2	Black	110	E172855 (M)	
4803-187	48N003	PA66	UL94V-2	Natural	110	E172855 (M)	
<b>JST Part Number</b>	<b>Mfg Number</b>	<b>Material</b>	<b>Flame Class</b>	<b>Colour</b>	<b>Max Operating Temp (°C)</b>	<b>UL Card No.</b>	<b>//</b>

<b>Revision Record</b>		
	Add suffixes; 003V0	16.12.02
	Add suffixes; 003, 503, 403 & 303	16.12.02
	<b>Modification Detail</b>	<b>Date</b>
<b>JST</b>		

<b>Part Description &amp; General Details:</b>	
Housing for 4.8 (.187) receptacle. Applicable JST terminal; STO-**(*)-187*(-*) Not suitable for STO-62(*)-187*(-*)	
<b>Series:</b>	48 Series
<b>Drawing Ref:</b>	CS48N003-040794
<b>Issues by:</b>	MR 16.12.02
<b>Approved by:</b>	AR 17.12.02

This Drawing is the property of J.S.T.(U.K.) Ltd.  
It must not be copied or used for manufacturing  
without written permission from J.S.T.(U.K.) Ltd.

**UNCONTROLLED  
CUSTOMER ISSUE**



<b>Revision Record</b>		
	Add suffixes; 003, 503, 403 & 303	16.12.02
	<b>Modification Detail</b>	<b>Date</b>
<b>JST</b>		

<b>Part Description &amp; General Details:</b>		
Housing for 4.8 (.187) receptacle. Applicable JST terminal; STO-**(*)-187*(-*) Not suitable for STO-62(*)-187*(-*)		
<b>Series:</b>	48 Series	
<b>Drawing Ref:</b>	CS48N003-040794	
<b>Issues by:</b>	MR	16.12.02
<b>Approved by:</b>	AR	17.12.02