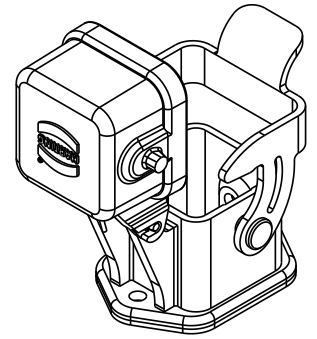
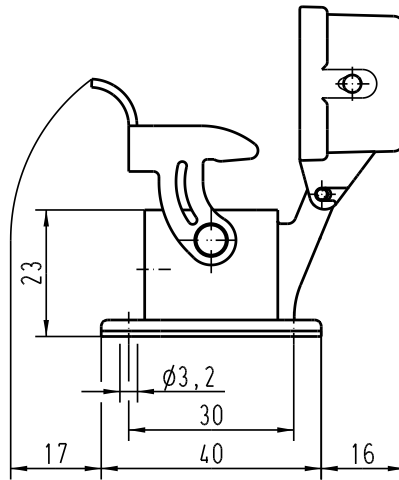
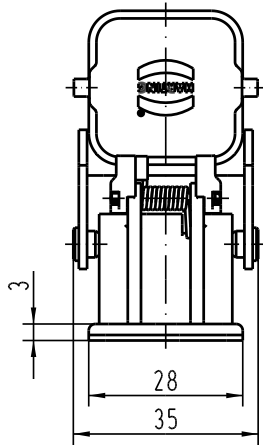
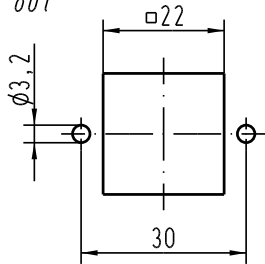




Alle Rechte vorbehalten / All rights reserved



Montageausschnitt/  
panel cut out



|   |      |                                 |                   |   |                 |
|---|------|---------------------------------|-------------------|---|-----------------|
|  All Dimensions in mm<br>Original Size DIN A 4 |      | Nicht tol. Maße/ Free size tol. |                   | Rel. MB   |                 |
|   |      | Oberflügel/ Surface qual.       |                   | Mat.  |                 |
|   |      | Oberflüschütz/ Cooling          |                   |   |                 |
|   |      | V:                              | cm <sup>3</sup>   | A:  | cm <sup>2</sup> |
|   |      | Det.                            | Name              | Maßstab/ Scale  |                 |
|   |      | Detail. 09.06.04                | Loe.              | 1:1   |                 |
|   |      | Insp.                           | OLE               |   |                 |
|   |      | Stand.                          |                   |   |                 |
| 411311  |      | HARTING Electric GmbH & Co. KG  |                   |  |                 |
| Mod.  | Dot. | Name                            | D-32339 Espelkamp |   |                 |
|   |      |                                 |                   | <b>Han 3A-agg-QB-K</b><br>Kappe mit Dichtung/<br>cover with sealing                   |                 |
|   |      |                                 |                   | <b>TB 09 20 003 0306</b>  |                 |
|   |      |                                 |                   | Sub.  |                 |