

This Drawing is the property of J.S.T.(U.K.) Ltd.
It must not be copied or used for manufacturing
without written permission from J.S.T.(U.K.) Ltd.

**UNCONTROLLED
CUSTOMER ISSUE**

Page 1 / 2

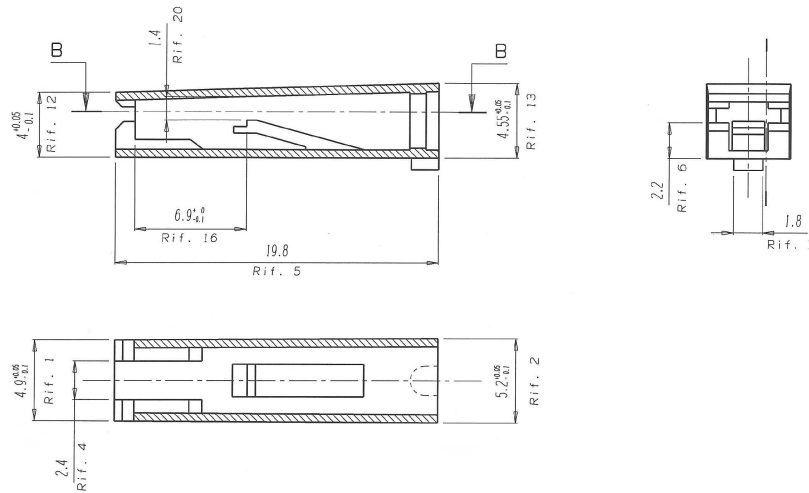
CS-28N502STY	28N502STY	PA46	UL94V-2	Black	150	--	
CS-28N002STY	28N002STY	PA46	UL94V-2	Natural	150	--	
CS-28N502V0(Black)	28N502V0	PA66	UL94V-0	Black	110	--	
01019 BLACK	28N502	PA66	UL94V-2	Black	110	E172855 (M)	
01019 RED	28N302	PA66	UL94V-2	Red	110	E172855 (M)	
01019	28N002	PA66	UL94V-2	Natural	110	E172855 (M)	
JST Part Number	Mfg Number	Material	Flame Class	Colour	Max Operating Temp (°C)	UL Card No.	//

Revision Record		
	Add suffixes; 002STY & 502STY	31.10.02
	Add suffixes; 002, 302, 502	23.08.02
	Modification Detail	Date
JST		

Part Description & General Details:	
Housing for 2.8 (.110) receptacle. Applicable JST terminal; STO-**(*)-110*(-*)	
Series:	28 Series
Drawing Ref:	CS28N002-041094
Issues by:	ZG 23.08.02
Approved by:	AR 23.08.02

This Drawing is the property of J.S.T.(U.K.) Ltd.
It must not be copied or used for manufacturing
without written permission from J.S.T.(U.K.) Ltd.

**UNCONTROLLED
CUSTOMER ISSUE**



Sez . B-B

Revision Record		
	Modification Detail	Date
	Add suffixes; 002STY & 502STY	31.10.02
	Add suffixes; 002, 302, 502	23.08.02
JST		

Part Description & General Details:		
Housing for 2.8 (.110) receptacle. Applicable JST terminal; STO-**(*)-110*(-*)		
Series:	28 Series	
Drawing Ref:	CS28N002-041094	
Issues by:	ZG	23.08.02
Approved by:	AR	23.08.02