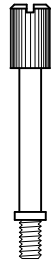


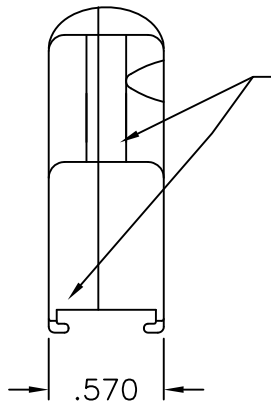
DCP #	REV	DESCRIPTION	DRAWN	DATE	CHECKD	DATE	APPRVD	DATE
2038	A	RELEASED	JN	06/08/09	JWM	06/08/09	JWM	06/08/09



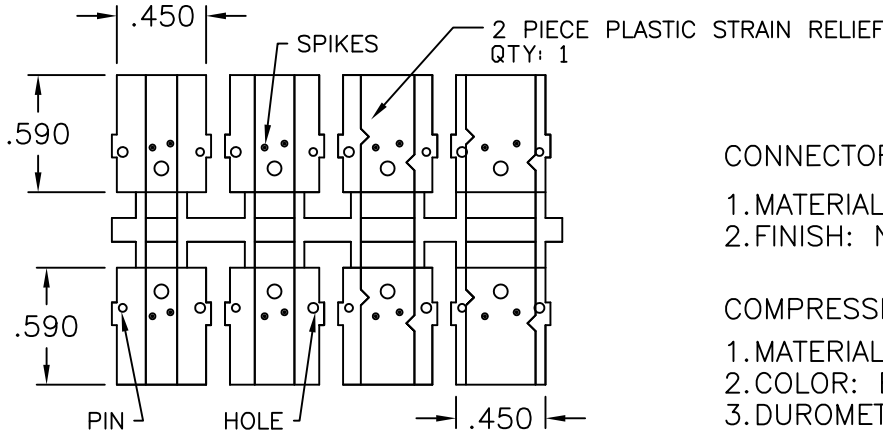
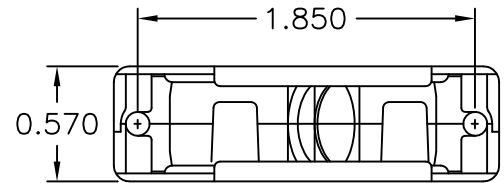
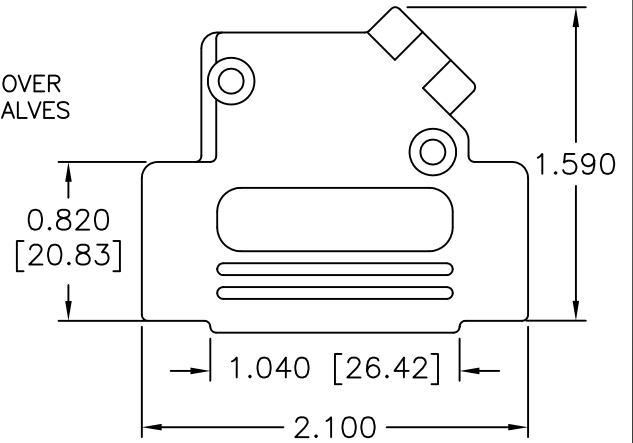
M3 X 0.50mm PITCH THUMBSCREW
CR STEEL, ZINC FINISH
QTY: 2 EACH



4-40 UNC THUMBSCREW - STEEL,
ZINC FINISH
QTY: 2 EACH



COVER HALVES

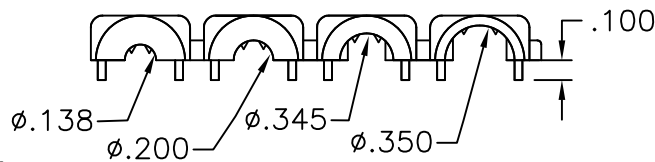


CONNECTOR COVER:

- 1.MATERIAL: ZINC DIE-CAST
- 2.FINISH: NICKEL OVER COPPER UNDERPLATE

COMPRESSION INSERT TREE

- 1.MATERIAL: POLYPROPYLENE
- 2.COLOR: BLACK
- 3.DUROMETER: 70 - TYPE D



SPC-F004.DWG

<p>TOLERANCES:</p> <p>Tolerances: Unless Otherwise Specified: ±.015 [0.381]</p>	<p>DRAWN BY:</p> <p>Jason Nash</p>	<p>DATE:</p> <p>06/08/09</p>	<p>DRAWING TITLE:</p> <p>METAL CONECTOR COVER</p>			
	<p>CHECKED BY:</p> <p>Jeff McVicker</p>	<p>DATE:</p> <p>06/08/09</p>	<p>SIZE</p> <p>A</p>	<p>DWG. NO.</p> <p>SPC15089</p>	<p>ELECTRONIC FILE</p> <p>80K5434.dwg</p>	<p>REV</p> <p>A</p>
	<p>APPROVED BY:</p> <p>Jeff McVicker</p>	<p>DATE:</p> <p>06/08/09</p>	<p>SCALE: NTS</p>		<p>U.O.M.: INCHES [mm]</p>	<p>SHEET: 1 OF 1</p>

ALL RIGHTS RESERVED. NO PORTION OF THIS PUBLICATION, WHETHER IN WHOLE OR IN PART CAN BE REPRODUCED WITHOUT THE EXPRESS WRITTEN CONSENT OF SPC TECHNOLOGY. DISCLAIMER: ALL STATEMENTS AND TECHNICAL INFORMATION CONTAINED HEREIN ARE BASED UPON INFORMATION AND/OR TESTS WE BELIEVE TO BE ACCURATE AND RELIABLE. SINCE CONDITIONS OF USE ARE BEYOND OUR CONTROL, THE USER SHALL DETERMINE THE SUITABILITY OF THE PRODUCT FOR THE INTENDED USE AND ASSUME ALL RISK AND LIABILITY WHATSOEVER IN CONNECTION THEREWITH.