



ALL RIGHTS RESERVED. NO PORTION OF THIS PUBLICATION, WHETHER IN WHOLE OR IN PART CAN BE REPRODUCED WITHOUT THE EXPRESS WRITTEN CONSENT OF SPC TECHNOLOGY.

SPC-F005.DWG

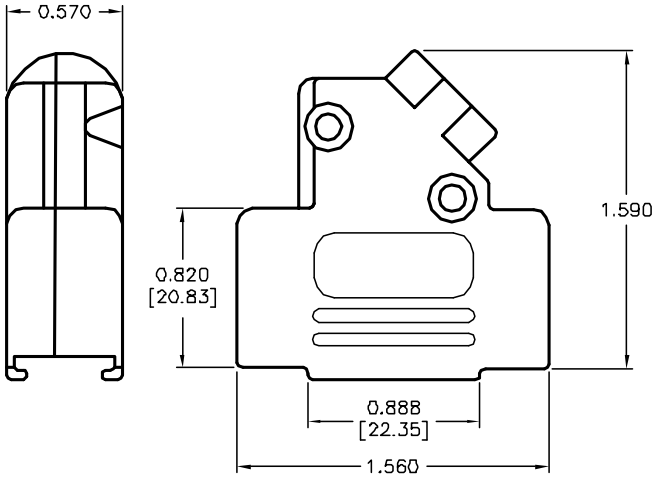
REVISIONS

DOC. NO. SPC-F005 * Effective: 7/8/02 * DCP No: 1398

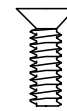
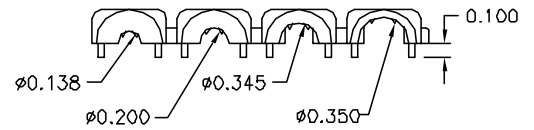
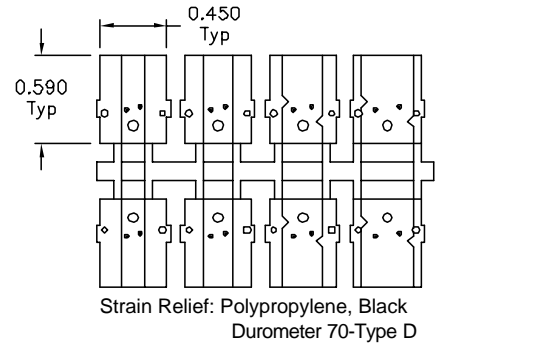
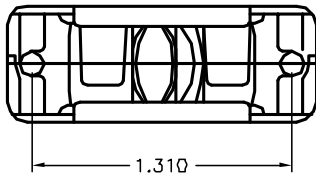
DCP #	REV	DESCRIPTION	DRAWN	DATE	CHECKD	DATE	APPRVD	DATE
1789	A	Released	DCM	3/23/07	JN	2/18/08	JN	2/18/08



RoHS Compliant



Cover Halves: Zinc Die-Cast, Nickel Plated



M3 x 0.50mm Pitch Steel, Zinc Finish 2 Pcs

Thumb Screw 4-40 UNC, Brass, Zinc finish

DISCLAIMER: ALL STATEMENTS AND TECHNICAL INFORMATION CONTAINED HEREIN ARE BASED UPON INFORMATION AND/OR TESTS WE BELIEVE TO BE ACCURATE AND RELIABLE. SINCE CONDITIONS OF USE ARE BEYOND OUR CONTROL, THE USER SHALL DETERMINE THE SUITABILITY OF THE PRODUCT FOR THE INTENDED USE AND ASSUME ALL RISK AND LIABILITY WHATSOEVER IN CONNECTION THEREWITH.

TOLERANCES: UNLESS OTHERWISE SPECIFIED, DIMENSIONS ARE FOR REFERENCE PURPOSES ONLY.

DRAWN BY:	DATE:
Dan McVicker	3/23/07
CHECKED BY:	DATE:
Jason Nash	2/18/08
APPROVED BY:	DATE:
Jason Nash	2/18/08

DRAWING TITLE: D-Sub Cover, Metal, 15 Pin, 45 Degree Exit			
SIZE	DWG. NO.	ELECTRONIC FILE	REV
A	SPC15088	80K5433.dwg	A
SCALE: NTS	U.O.M.: INCHES [mm]	SHEET: 1 OF 1	